

75 cents

*hr*<sub>mr</sub>

focus  
on  
communications  
technology . . .

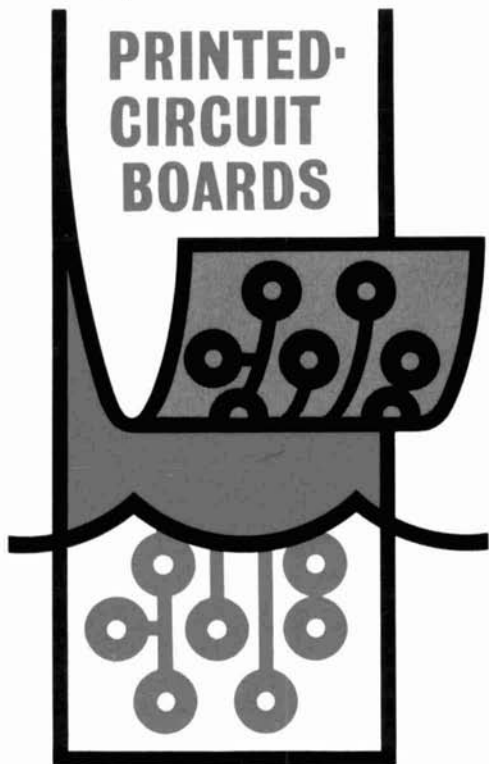
# *ham* **radio**

*magazine*

SEPTEMBER 1971

## PRACTICAL PHOTOFABRICATION OF

## PRINTED- CIRCUIT BOARDS



### *this month*

- injection lasers 28
- fm sequential encoder 34
- multimode i-f system 39
- RTTY afc 50
- ic phase-locked loops 54

**You may prefer  
our air cooled  
high powered linear amplifier  
to the well known  
vapor cooled job.**

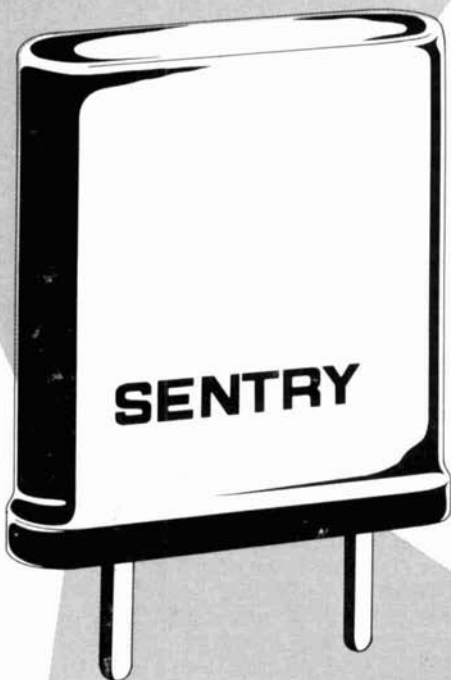
*It's just as powerful and rugged,*

*just as versatile,*

*and costs quite a bit less.*



**IF YOU'VE  
EVER  
USED  
A  
REPEATER,**



**YOU'VE USED A  
SENTRY CRYSTAL**

If you haven't  
already received  
a copy of our **NEW**  
1971 Catalog of Precision  
Quartz Crystals & Electronics  
for the Communications Industry,  
**SEND FOR YOUR COPY TODAY!**

Somewhere along the line, in virtually every ham repeater in the world, you'll find a couple of Sentry crystals.

Repeater owners and FM "old-timers" don't take chances with frequency—they can't afford to. A lot of repeater users depend on a receiver to be on frequency, rock stable...in the dead of winter or the middle of July. The repeater crowd took a tip from the commercial "pros" a long time ago—and went the Sentry Route.

That's one of the reasons you can depend on your local repeater to be there (precisely there) when you're ready to use it. FM'ers use the repeater output as a frequency standard. And for accuracy, crystals by Sentry are THE standard.

**IF YOU WANT THE BEST,  
SPECIFY SENTRY CRYSTALS.**

*"Ask the Hams and Pros  
Who Build Repeaters!"*

**SENTRY MANUFACTURING COMPANY**  
Crystal Park, Chickasha, Oklahoma 73018

PHONE: (405) 224-6780

TWX-910-830-6425

# the world's most complete line of advanced 2 meter fm equipment



## TEMPO/fmv

A true value in 2 meter FM, the Tempo fmv is the father of the Tempo VHF line. This small package offers operation at 12 volts, or with the accessory power supply, at 110 volts, for 10 watts output. An unmatched design at any price, the fmv offers high quality and top performance at a reasonable cost. The Tempo fmv . . . \$249.00



## TEMPO/fma

The Tempo fma is the top of the Tempo VHF line. This transceiver offers all of the famous Tempo quality and performance at 25 watts of power output. The unit also features a low power position for 10 watts output to conserve battery power. Here is a true value in VHF FM; high power operation at a reasonable price. The Tempo fma . . . \$349.00

# TEMPO



## TEMPO/fmp

Truly mobile, the Tempo fmp-3 watt portable gives amateurs 3 watts, or a battery saving 1/2 watt, FM talk power anywhere at anytime. With a leather carrying case included, this little transceiver will operate in the field, in a car, or at home with an accessory AC power supply. The battery pack is of course included with every unit. This handsome, versatile little package is available only from Tempo. The Tempo fmp . . . \$225.00



## TEMPO CT HI-POWER AMPLIFIERS

Tempo also offers a full line of 2 meter FM amplifiers for mobile or base station operation. Output ranges from 45 to 100 watts for drive power of 1, 5, or 10 watts. Blends state-of-the-art technology with Tempo reliability. Tempo CT1002 10/100 VHF Amplifier \$220. Tempo CT602 10/60 VHF Amplifier \$145. Tempo CT252A 1/25 VHF Amplifier \$85. Plus six other amplifiers for use with all current FM transceivers.

Tempo amateur two meter FM equipment is available from select dealers throughout the United States. Or you can order direct. Call or write for specifications and terms.

# Henry Radio

11240 W. Olympic Blvd., Los Angeles, Calif. 90064  
213/477-6701  
931 N. Euclid, Anaheim, Calif. 92801 714/772-9200  
Butler, Missouri 64730 816/679-3127

September, 1971  
volume 4, number 9

**staff**

James R. Flisk, W1DTY  
editor

Nicholas D. Skeer, K1PSR  
vhf editor  
J. Jay O'Brien, W6GDO  
fm editor

Alfred Wilson, W6NIF  
James A. Harvey, WA6IAK  
associate editors

Jean Frey  
art director

Wayne T. Pierce, K3SUK  
cover

T. H. Tenney, Jr. W1NLB  
publisher

Hilda M. Wetherbee  
advertising manager

**offices**

Greenville, New Hampshire 03048  
Telephone: 603-878-1441

**ham radio** magazine is  
published monthly by  
Communications Technology Inc.  
Greenville, New Hampshire 03048

Subscription rates, world wide:  
one year, \$6.00, three years, \$12.00.  
Second class postage  
paid at Greenville, N. H. 03048  
and at additional mailing offices

Foreign subscription agents:  
United Kingdom:  
Radio Society of Great Britain,  
35 Doughty Street, London WC1, England.

All European countries:  
Eskil Persson, SM5CJP, Frotunagrand 1,  
19400 Upplands Vasby, Sweden.

African continent:  
Holland Radio, 143 Greenway,  
Greenside, Johannesburg,  
Republic of South Africa

Copyright 1971 by  
Communications Technology, Inc.  
Title registered at U. S. Patent Office.  
Printed by Wellesley Press, Inc.  
Wellesley, Massachusetts 02181, U.S.A.

**ham radio** is available to the blind  
and physically handicapped on magnetic tape  
from Science for the Blind,  
221 Rock Hill Road, Bala Cynwyd,  
Pennsylvania 19440.  
Microfilm copies of current  
and back issues are available  
from University Microfilms,  
Ann Arbor, Michigan 48103.

Postmaster: Please send form 3579 to  
**ham radio** magazine, Greenville,  
New Hampshire  
03048



# contents

**6 photofabrication of printed-circuit boards**

Larry L. Hutchinson

**20 80-meter vertical antenna**

Henry G. Elwell, Jr., W2MB

**26 frequency synchronization for vhf scatter**

James A. Buscemi, K2OVS

**28 injection-laser communications**

Forrest M. Mims

**34 fm sequential encoder**

John S. Hollar, W3JJU

**36 vhf weak-signal source**

R. Bruce Clark, K6JYO

**39 multimode i-f system**

Richard C. Factor, WA2IKL

**44 fet transconductance tester**

Robert S. Stein, W6NBI

**50 RTTY automatic frequency control**

E. R. Lamprecht, W5NPD

**54 ic phase-locked loops**

Edward M. Noll, W3FQJ

**4 a second look**

**94 advertisers index**

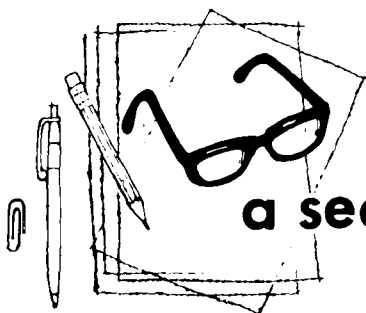
**54 circuits and techniques**

**83 flea market**

**62 ham notebook**

**66 new products**

**94 reader service**



## a second look

by Jim  
fisk

**A new electronically-tunable** ceramic capacitor has been developed by engineers at Fort Monmouth, New Jersey. The new tunable capacitor is about one-tenth the size of presently available units, equivalent to three quarters stacked on top of one another.

The tunable capacitor, which will be used in automatic tuners in lightweight military radios, costs about thirty cents. The device consists of a multilayered ferro-electric material with an rf electrode on each end and a dc electrode in the center. As the dc control voltage is varied, the dielectric constant of the center layer changes, thereby changing the capacitance of the device.

The voltage-tunable characteristic of these new ceramic capacitors is particularly valuable for applications which require automatic tuning capability. For example, the capacitor can be combined with a digital logic network to retune an antenna automatically if a mismatch occurs between it and the transmitter. In a typical application the radio can completely retune itself automatically within several microseconds.

Varactors are not suitable for this application because of their power limitations. To obtain high power, a larger number of series-connected diodes must be used; this lowers capacitance. To increase capacitance, more diodes must be placed in parallel; this results in a very unwieldy package. With the ceramic mul-

tilayer capacitor, however, a whole stack of devices can be placed in a very small package.

Since these multilayer capacitors are still in the developmental stage, it will be some time before they become available for use in radio production. Eventually they will reach the public. When they do we should see a whole new array of automatically tuned communications antennas.

For example, by including one of these tunable ceramic capacitors inside the traps of a multiband beam, an enterprising amateur could build a high-performance antenna system which would provide unity swr at any operating frequency. The required digital logic control circuitry could be built into the antenna boom.

These ceramic capacitors could also be used in automatic tuning units at the output of your transceiver, or as tuning and loading controls within the equipment. The capacitors would also be ideal for automatically tuned mobile antennas which compensate for swr changes as you drive under trees or next to large tractor-trailors. This is especially important when using solid-state final amplifier stages which quickly destroy themselves when confronted with high standing-wave ratios.

**Jim Fisk, W1DTY**  
editor

# DRAKE MODEL DSR-1

# COMMUNICATIONS RECEIVER



## FEATURING . . .

- Continuous coverage 10 kHz to 30 MHz
- Digital synthesizer frequency control
- Frequency displayed to 100 Hz
- All solid state
- AM, SSB, CW, RTTY, ISB
- Series balanced gate noise blanker
- Rack or desk mount
- Price \$2195.00
- Accessories available to accommodate specific requirements

**SPECIFICATIONS** • **Frequency Range:** 10 kHz to 30.0 MHz. • **Modes of Operation:** USB, LSB, CW, RTTY, AM, ISB. • **Frequency Readout:** Complete to 100 Hz on six NIXIE tubes. • **Frequency Selection:** 10 MHz, 1 MHz, 0.1 MHz switch selected; 0 to 0.1 MHz continuously variable. • **Frequency Stability:** Drift does not exceed 150 Hz in any 15 minute period with a temperature change of 7° C per hour over a range of 0° to 40° C. • **Sensitivity:** Less than 0.5 microvolt for 10 dB SINAD at 2.4 kHz SSB mode; Less than 1.0 microvolt for 10 dB SINAD at 6 kHz AM mode. • **Image Rejection:** Greater than 70 dB relative to 1 microvolt. • **Blocking:** Greater than 100 dB relative to 1 microvolt. • **Cross Modulation:** Greater than 80 dB relative to 1 microvolt. • **Intermodulation:** Greater than 80 dB relative to 1 microvolt. • **Opposite Sideband Suppression:** Greater than 60 db at 500 Hz into the opposite sideband. • **I.F. Bandwidth:** 6 kHz, 2.4 kHz, 1.2 kHz, 0.4 kHz; Selectivity @ -6 dB: 6 kHz, 2.4 kHz, 1.2 kHz, 0.4 kHz; @ -60 dB: 11.5 kHz, 4.3 kHz, 2.4 kHz, 0.8 kHz; Optional filters available for other bandwidths. • **I.F. Outputs:** 50 millivolts into 50 ohms at 1st I.F.; 5.05 MHz and 2nd I.F. 50 kHz. • **Automatic Gain Control:** Audio Output rises less than 3 dB for RF input change of 1 microvolt to 100 millivolts; Attack time 100 microseconds; Release time 750 milliseconds (Slow AGC), 25 milliseconds (Fast AGC). • **Antenna Input Impedance:** 10 kHz to 500 kHz, 1000 ohms; 500 kHz to 30 MHz, 50 ohms. • **Audio Output:** 3 watts at 5% maximum distortion into 3.2 ohm load; 1 volt into 600 ohm output line; 3.2 ohm unbalanced and two 600 ohm balanced outputs; ISB output is one of the two 600 ohm balanced outputs. • **Audio Hum and Noise:** Greater than 60 dB below rated output. • **BFO:** Derived from standard clock or variable over a ± 3 kHz range from front panel. • **Power Requirements:** 115/230 volts ± 10% single phase 50-420 Hz 15 watts; 12 or 24 VDC supply optional. • **Dimensions:** 5.25 in. H x 19 in. W x 15 in. D, (13.3 cm H x 48 cm W x 38 cm D). • **Weight:** 17 lbs (7.7 kg).

Available November . . . see your Dealer

**R. L. DRAKE COMPANY**

540 RICHARD ST., MIAMISBURG, OHIO 45342



# practical photofabrication of printed-circuit boards

Here's a practical  
inexpensive technique  
for producing  
professional quality  
printed-circuit boards  
for your  
amateur radio projects

Making the printed-circuit board for a project is often as much fun as using the finished project itself. The photoresist technique is easy, inexpensive and results in a neat, professional looking and aesthetically pleasing final project. A quick scan of the literature reveals that this technique has actually been used very rarely by amateurs. This is because of the apparent unavailability of photoresist, misconceptions about cost and, of course, the absence of a comprehensive article on the subject.

The method of making printed-circuit boards detailed in this article consists of making a transparency using readily available drafting aids and coating a piece of

Completed project using the printed-circuit board.



Larry Hutchinson, Chemistry Department, Oregon State University, Corvallis, Oregon 97331



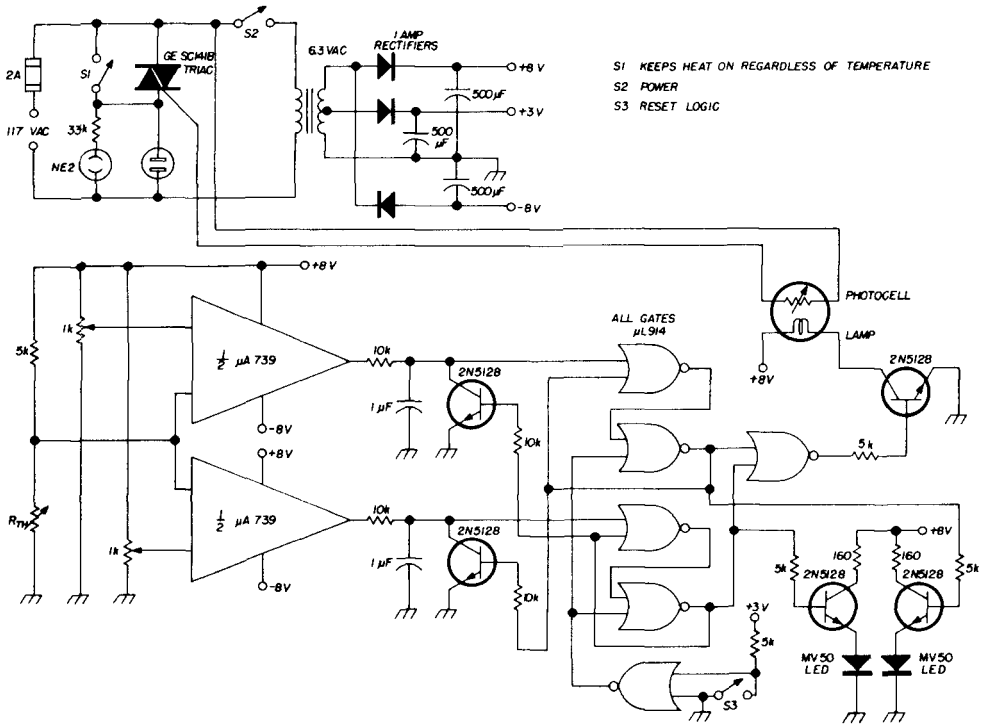


fig. 1. Schematic of the automatic-shut-down circuit used to illustrate the photoresist method of making printed-circuit boards.\*

copper-clad board with a positive-working photoresist, exposing, developing and etching. A conservative estimate of the photoresist cost for a 5 x 7-inch board is \$10. No darkroom, camera or photographic skill is required since the only

light-sensitive part of the process is the photoresist, and it is sensitive only to ultraviolet light. A photoresist-coated circuit board may be exposed to normal room lighting for an hour or longer with no harm.

\*This equipment is used in an organic chemistry laboratory to automatically stop a distillation when the temperature of the material being distilled either rises above the boiling point of the pure material (indicating the presence of a higher boiling impurity) or falls below the boiling point (when most of the material is gone from the pot and not enough hot vapor is flowing past the thermistor in the distillation head to keep it hot). The Triac in the circuit is used as an on-off switch to determine whether heat is applied to the pot (through a heat controller plugged into the socket). The Triac is controlled by the logic through a lamp/photocell combination. The light-emitting diodes are used to indicate whether the distillation was shut-down due to a rise or a fall in temperature.

Techniques for making printed-circuit boards may be divided into two basic categories. Those methods characterized by application of resist to areas where copper remains after etching, and methods using photoresist or silkscreen.

The first method is useful for one-of-a-kind projects. Examples include paint, ink, tape and dry-transfer images applied directly to the circuit board. Also included is stick-on copper foil with heat-resistant adhesive; this is a very interesting material since etching and drilling are eliminated, and the circuit can be changed with relative ease.

Photoresist methods are divided into

three types: those that use a positive-working photoresist with a positive transparency, develop and etch; those that use a negative-working photoresist with a

positive photoresist is Shipley's AZ-111 which is developed in a weak solution of sodium hydroxide (lye).

Negative-working photoresists consist

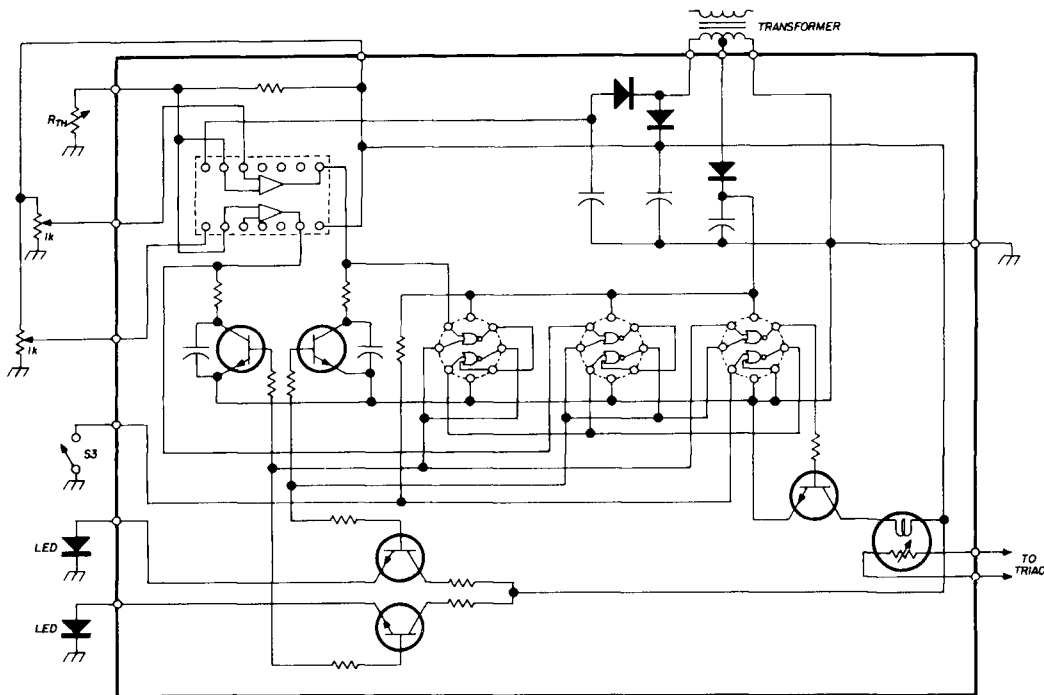


fig. 2. First step toward a printed-circuit board consists of redrawing the circuit, placing components within the proposed board outline. No attempt is made to minimize wiring crossovers at this point.

positive transparency, develop, tin plate, strip resist and etch with an etchant which will not dissolve tin; and those that use a negative-working photoresist with a negative mask, develop and etch. Although only the first method is recommended all three will be covered.

### photoresists

A positive-working photoresist consists of an organic resin which is affected by ultraviolet light in such a way that the exposed resin is easily dissolved in its developer, but the unexposed material is not. Positive-working resists are resistant to pinholing and other effects caused by dust particles and other contaminants on the transparency. An example of a posi-

of an organic resin which polymerizes when exposed to ultraviolet light such that the resin becomes insoluble in a solvent in which the unexposed resin is easily dissolved. An example of a negative-working photoresist is Eastman Kodak KPR-2; this is developed in trichloroethylene, a common dry-cleaning solvent.

### technique

To illustrate the techniques involved in producing a printed-circuit board from scratch I have photographed the various stages in the evolution of a recent project. Fig. 1 shows the schematic of the circuit; note that the ground and power supply leads are not fully drawn in and that the

gates and op amps are represented by symbols which have minimal resemblance to the actual ICs.

The first step is to redraw the sche-

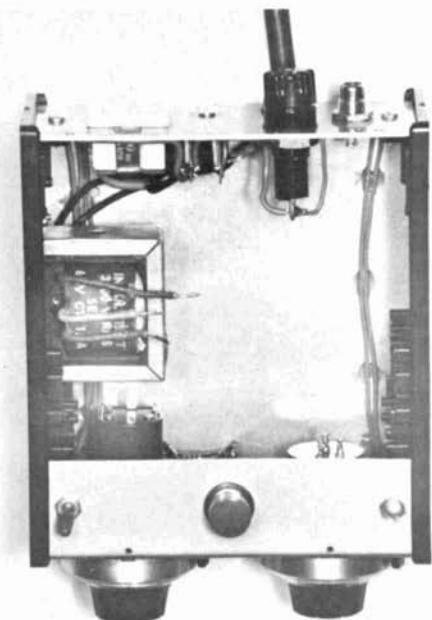
matter to determine the maximum size and shape of the board, shown as the rectangle in **fig. 4**.

If you have the option, choose a board which is just large enough to allow horizontal mounting of resistors and capacitors. If you have not done enough bread-boarding of your project and are uncertain as to the workability of the design leave a little extra room for circuit modifications and additions.

The locations of major components such as capacitors, IC sockets and transformers are now determined. Keep in mind the positions of the external components. Pencil in an outline of the large items.

**Step 3** involves redrawing the schematic, replacing all symbols with full-size outlines of the components (see **figs. 5** and **6**). This must be done accurately; the use of graph paper with 0.1-inch grids is helpful in maintaining accuracy. The actual components should be on hand during this step so you can determine if all the parts will fit correctly.

Use pencil. Unless you are working on a particularly simple circuit board you will probably do a lot of erasing. A set of colored pencils is a big help here. The finished drawing (see **fig. 6**) should be accurate with regard to component positions and all drill holes. When you are certain everything is correctly placed go over the appropriate pencil marks with a

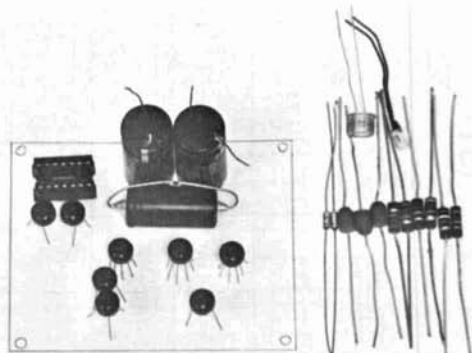


**fig. 3.** The size of the printed-circuit board and the number of components that it will carry are determined by selecting the enclosure for the project and wiring in those components that will not be on the circuit board.

matic according to the following rules:

1. Draw a rectangle to represent the pc board. Parts which will be external to the board should be drawn outside the rectangle in the correct relative positions.
2. Completely draw in power supply and ground leads. Do not bother to minimize lead crossing at this point.
3. Redraw the integrated circuits as shown in **fig. 2**.

For **Step 2** you need to know the size and shape of the printed-circuit board. To do this I first install and wire all the components not on the printed circuit board (see **fig. 3**). Then it is an easy



**fig. 4.** Circuit-board layout is further defined by placing the actual components on a graph-paper outline of the proposed board.

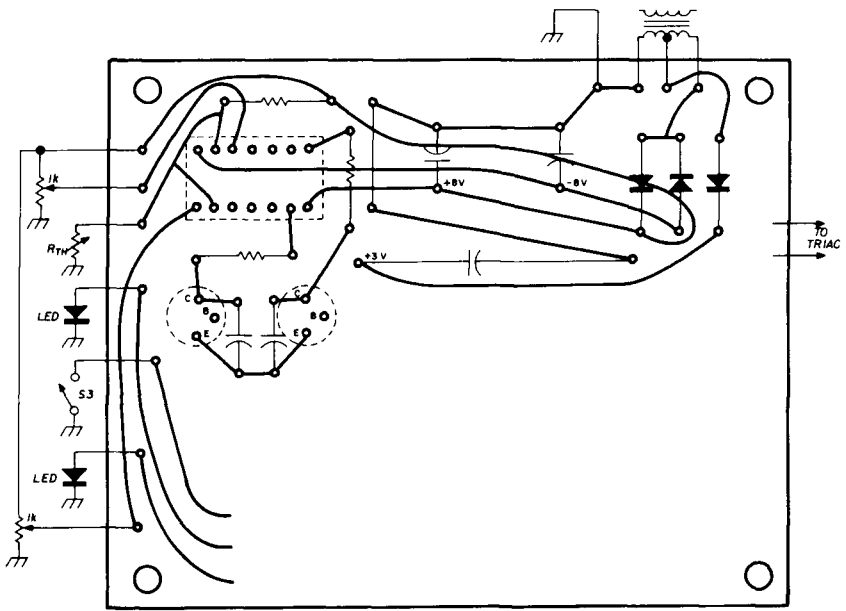


fig. 5. After choosing an initial layout begin sketching in the interconnecting wires. Avoid wiring crossovers.

red felt tip marker so the proposed foil pattern will show through in the next step (see fig. 7).

Since fig. 7 was drawn as a top view the paper must be turned over before making the transparency. A thin sheet of acetate or mylar plastic is cut a little

larger than the board and attached to the back of the diagram with masking tape (fig. 8).

### the transparency

At this point you will need some of the electronic drafting aids listed in table

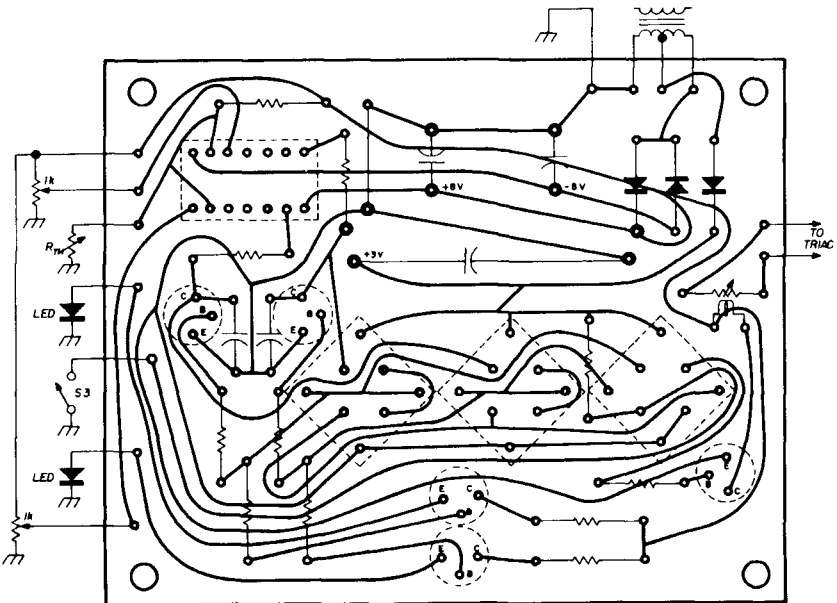


fig. 6. Continue sketching the rest of the circuit layout. Use a pencil — you will probably have to do a lot of component re-arranging to eliminate crossovers.

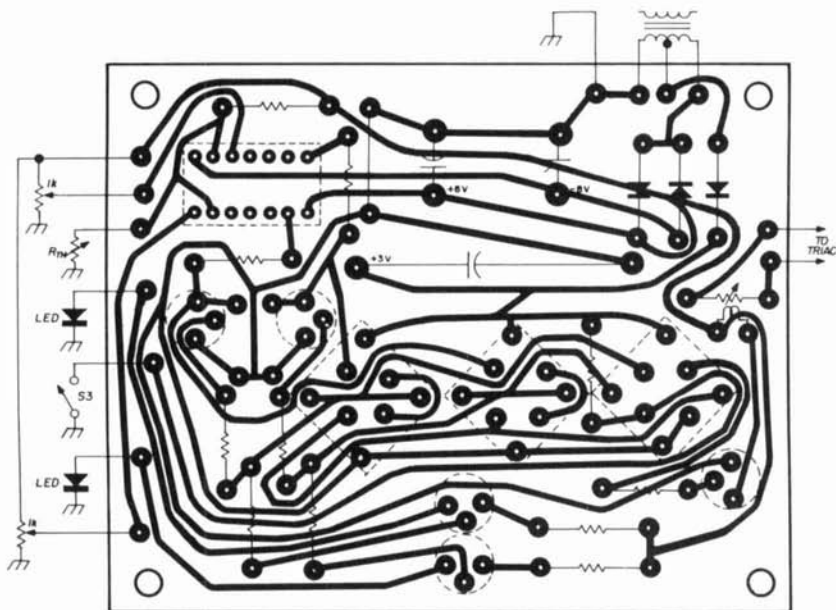


fig. 7. When you are satisfied with the layout go over each of the circuit traces with a dark marking pen.

1. A few of these drafting aids are shown in the photograph. Bishop drafting aids are available in large quantities from Bishop Graphics, and in small quantities from GC Electronics. It is most economical to purchase the most often used drafting aids (tape and donut-shaped pads) from Bishop Graphics, Trans-pak

(Chartpak) or Datak, and the less often used aids from GC Electronics. The dry-transfer drafting aids available from Datak are easier to use than conventional die-cut patterns and should not be overlooked.

The drafting aids are transferred to the plastic sheet with a small X-acto knife.

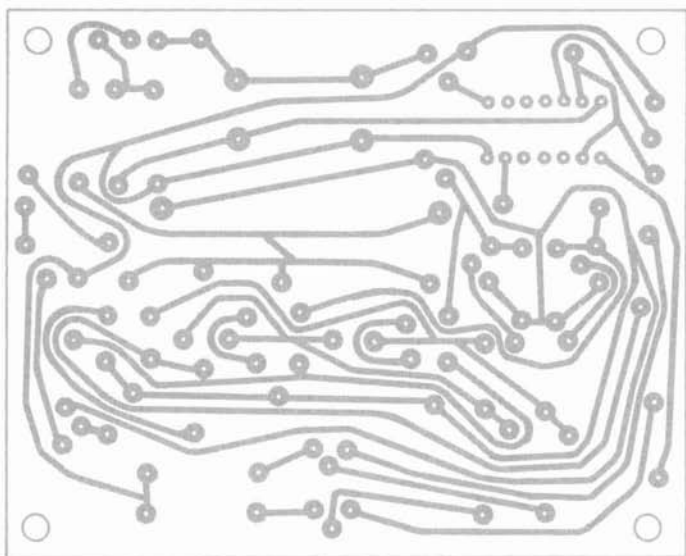


fig. 8. Flop the drawing over; the marking pen outline of the traces will show through the paper.

The donut-shaped pads and similar images should be applied first (fig. 9) followed by the tape (fig. 10). The tape is cut by pressing gently down on the knife, then pulling the free end of the tape up and to the side. It takes a little practice to cut only the tape and not what is below. When you finish the transparency inspect it carefully to see that it corresponds correctly to the circuit. If you are using a negative photoresist a contact exposure with sheet film will produce a negative transparency.

### photoresist application

Cut the board to size and sand down any rough edges. The surface of the board should be scrubbed with scouring powder until all oil and fingerprints have been removed. The surface is then washed with a 5-10% solution of sulfuric or hydrochloric acid, rinsed thoroughly with running water, and dried with a paper towel.

The clean board should be coated with a thin, even layer of photoresist within an

Drafting aids used in preparing the artwork for the printed-circuit board.



table 1. Drafting aids useful in laying out printed-circuit boards. Data is arranged by catalog number, number of images or feet of tape and price.

item	Bishop	Chartpak	Datak	GC Electronic
8 lead	6026	TPCL 11-4	JD-71	21-103
TO-5	250	250	1152	20
(TO-99)	\$6.85	\$7.55	\$6.50	\$1.00
14 lead	6014	TPCL-12-1	JD-68	21-120
DIP	250	100	432	16
(TO-116)	\$7.55	\$9.70	\$6.50	\$1.00
.125" round pad	D207 500 \$3.00	TPCC-72 250 \$1.00	JD-124 4464 \$6.50	21-023 125 \$1.00
.187" round pad	D138 500 \$2.00	TPCC-72 250 \$1.00	JD-125 3120 \$6.50	21-025 126 \$1.00
.250" round pad	D109 500 \$2.00	TPCC-77 250 \$1.00	JD-127 1920 \$6.50	21-025 126 \$1.00
.020" tape	T201 (.020") 720 \$.75	TP-1502 648 \$.70	—	21-002 360 \$.59
.040" tape	T201 (.040") 720 \$.75	TP-0401 648 \$.70	—	21-004 360 \$.59
.080" tape	T201 (.080") 720 \$.75	TP-0801 648 \$.70	—	21-006 360 \$.59

Bishop Graphics, Inc., 7300 Radford Avenue, North Hollywood, California 91605

Chartpak Rotex, One River Road, Leeds, Massachusetts 01053

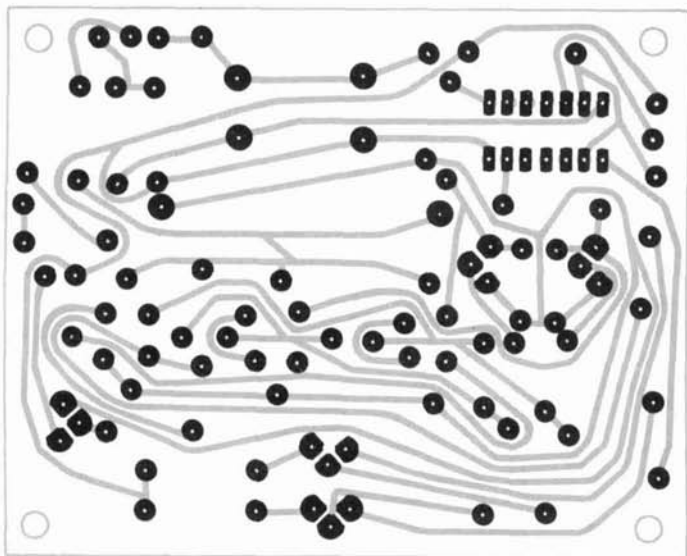
Datak Corporation, 85 Highland Avenue, Passaic, New Jersey 07055

GC Electronics, 400 South Wyman Street, Rockford, Illinois 61101

hour of cleaning. There are many ways this is done commercially including roller coating, spray coating and controlled withdrawal. However, for the amateur, spin application is the best.

Spin application consists simply of applying a generous amount of photoresist to the board and spreading it over the copper surface with a medicine dropper (fig. 11) then spinning the board at 500 to 2000 rpm for a few seconds.

fig. 9. Place the round circuit pads, IC sockets and transistor layouts in the correct positions on the plastic sheet covering the reversed circuit drawing.



The board can be spun with an electric drill or small shaded pole motor mounted vertically on a small stand. The board is attached with a suction cup; a cardboard box should be used to catch the spin-off.

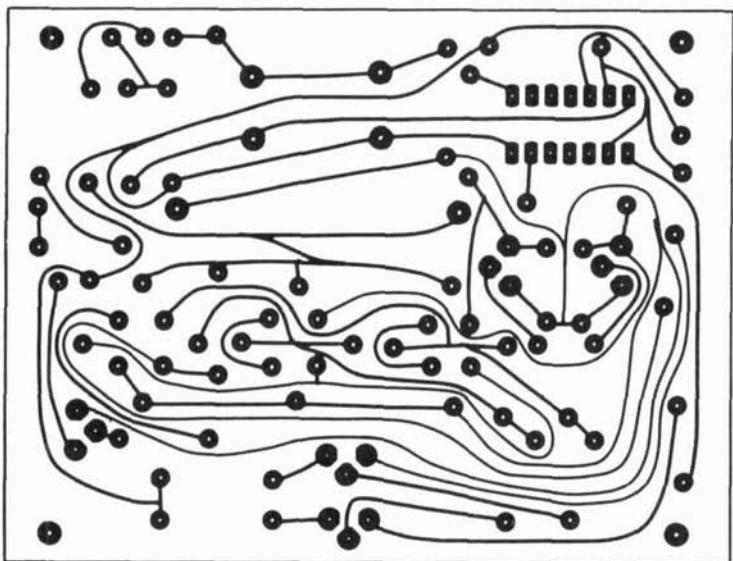
### drying

The drying step is important because the photoresist must be dry to function properly but it must not be overheated.

Shipley AZ-111 photoresist can be dried in an oven at 150° F (70° C) for five minutes. Kodak KPR-2 photoresist requires 20 minutes at 170° F (80° C).

Both types can be dried under a *red-filter* type heatlamp at a distance of about 9 inches for 5 to 10 minutes, using the gentle breeze from a fan to prevent the board from getting too hot. The photoresist can also be dried with a heat

fig. 10. Connect the circuit pads with narrow black drafting tape. This is your completed printed-circuit layout transparency.



lamp while the board is being spun. With high-density boards make an effort to keep dust and lint off the work to prevent short circuits on the finished board.

## exposure

The photoresist-coated board is placed in contact with the transparency and exposed to a source of ultraviolet light. The tape side goes on top unless you forgot to turn the paper over in the drafting step. To insure that the transparency and the copper-clad board are in close contact it is advisable to build a frame like that shown in fig. 12. If you don't use a frame simply place the copper-clad board on a flat surface, center the transparency, and place a sheet of glass over the combination.

A sunlamp at a distance of about one foot is used to expose the resist.\* A fan should be used to keep the photoresist from getting too hot. The exposure time



fig. 11. A thin, even coat of photoresist is applied to the board by spinning it with a drill motor.

for AZ-111 with the setup shown in fig. 13 is 15 minutes.

If you use a different ultraviolet source, a different lamp-to-board distance, or a different photoresist, you will

\*The sun is an excellent substitute.

have to determine exposure times with test strips. To do this you coat a piece of scrap board with photoresist, expose it, and with a piece of cardboard, cover or uncover a new section of board every few minutes. Since glass absorbs ultraviolet light it is necessary to place a sheet of the

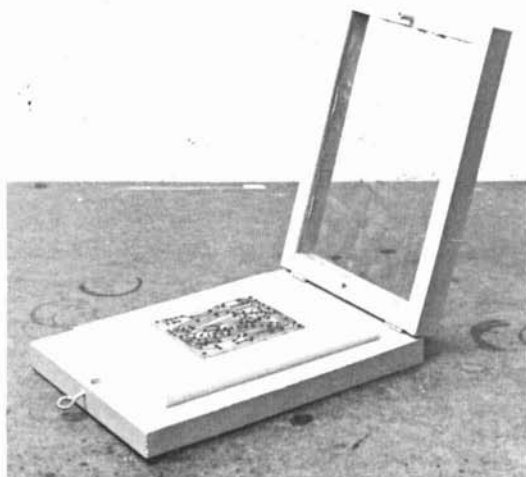


fig. 12. The circuit transparency and sensitized board are held in close contact with a home-made contact-printing frame.

same type glass between the lamp and the test strip. With a timed test strip you can quickly determine the proper exposure time for your combination of photoresist, sunlamp and lamp-to-board distance.

When choosing an ultraviolet source remember that the more the lamp resembles a point source the greater the degree of resolution. It is for this reason that fluorescent ultraviolet lamps are not completely satisfactory for highly detailed integrated-circuit work.

Room lighting is not critical for Shipley AZ-111. The dried boards can withstand up to two hours of ambient fluorescent lighting and considerably longer exposure to incandescent lighting. Other photoresists such as Kodak KPR-2 and Dynachem photoresist<sup>2</sup> are less tolerant in this respect due to their greater sensitivity.



## developing

Shipley AZ-111 is developed by placing the exposed board in the developer at room temperature for about five minutes with occasional agitation. If the areas where the photoresist was intended to dissolve turn purple, your exposure was



fig. 13. Circuit board is exposed to ultraviolet lamp for about 15 minutes. Fan keeps the photoresist from getting too hot.

not long enough or your photoresist is too old.

The developer is made by dissolving 2½ teaspoons of household lye in one quart of water (15g/liter).<sup>\*</sup> Use care when working with caustic solutions. After the board is developed, rinse it with cold water; it can now be etched.

Kodak KPR-2 is developed in trichloroethylene, a common dry-cleaning solvent, for about three minutes; work in a well-ventilated room. After developing, dry the board under a heatlamp for a few minutes. Do not touch the photoresist until it is completely dry (it is very soft while wet).

If you used a *negative* transparency with KPR-2 the board is ready to be etched; if you used a *positive* transparency the areas of copper you want to be etched away are covered with resist

and those to remain are bare. Since the circuit would obviously not work if the board were etched at this point it is necessary to reverse the pattern on the board. This is done by immersing the board in a commercial electroless tin-plating solution. (See later section on plating solutions.)

When this is complete the resist is stripped off with acetone and a paper towel. The areas which are to remain after etching are plated with tin while the areas to be removed are bare copper. The board is now etched in chromic acid since it rapidly dissolves copper but does not attack tin.

## etching

Some of the methods used to etch printed-circuit boards, according to speed and freedom from undercutting, are

1. Spray etching
2. Bubble etching
3. Splash etching
4. Immersion with continuous agitation or stirring
5. Simple immersion with occasional agitation

Bubble etching is the most highly recommended method for amateur use as it is very fast and does not require complex equipment. In ferric chloride at room temperature a two-ounce copper-clad board requires 60 minutes to etch by method 5, 15 minutes by method 4, and only 5 minutes with bubble etching.

A bubble etcher can consist of a large ceramic aquarium aeration stone immersed in the etchant and supplied with a source of air such as that provided by a heavy-duty aquarium pump. The circuit board is placed slightly below or on the surface of the etchant and inclined so there is a good flow of etchant along the entire under-surface of the board (figs. 14 and 15). Do the etching in a well ventilated room with a damp cloth over the etching tank to catch the spray. The

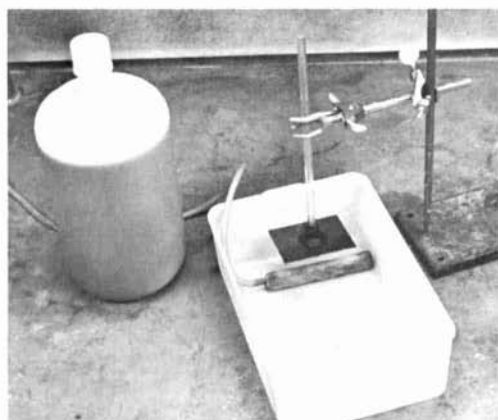
<sup>\*</sup>The developer is deactivated upon long exposure to the air.

spray from the chromic acid etchant is especially hazardous.

## etchants

A description of most of the etchants suitable for amateur use is provided by **fig. 17**. The vertical axis is the etching rate relative to cupric chloride; the horizontal axis is the degree to which the solution has been depleted by previous etching. It can be seen that ammonium persulfate is the fastest etchant shown and that the etching rate is increased considerably by the addition of a trace of mercuric chloride.

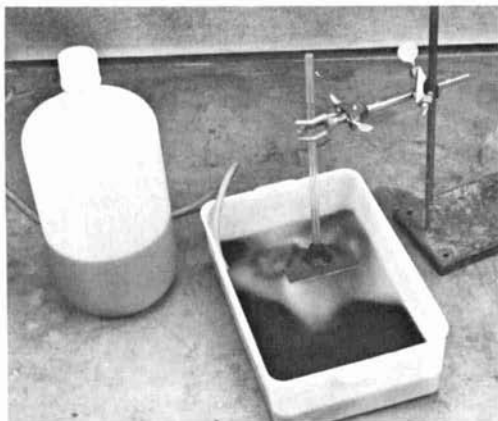
This graph also shows that the addition of hydrochloric acid to ferric chloride results in a decreased etching rate but allows the solution to be regenerated by simple overnight aeration. Ammonium persulfate often can be purchased from local electronics suppliers or from mail order houses; ferric chloride can be purchased in liquid form from local electronics suppliers. However, all etchants



**fig. 14.** Circuit board is etched in large non-corrosive container. Oblong object under the circuit board is a ceramic aquarium aeration stone.

can be made much less expensively than they can be bought; the ingredients can usually be obtained from chemical supply houses in the larger cities. Buy the most inexpensive grade available, usually called *technical*.

All etchants are toxic and should not be allowed to contact the skin or eyes. Remember that you must add acid to water, not the other way around. It goes without saying that you must keep all



**fig. 15.** With the bubble etching technique the circuit board is completely etched in about 5 minutes.

chemicals out of the reach of children.

Cupric chloride is my favorite etchant. Although it is slower than the others it is less expensive and is easily regenerated. Bubbling air gently through the solution for a few hours or overnight and an occasional addition of water and hydrochloric acid results in complete regeneration of the solution. Thus, after etching a few boards you end up with more etchant than you started with.

You will note that after etching a board the cupric chloride solution is quite dark. Aeration is complete when the clear yellow-green color reappears. Add 150 milliliters of concentrated hydrochloric acid and 350 milliliters of water to the etchant after using 1 liter to etch 400 to 500 square centimeters (approximately 70 square inches) of 2-ounce copper-clad circuit board.

## plating

To obtain maximum corrosion resistance and solderability the photoresist should be stripped off with acetone and a

paper towel, the copper areas cleaned gently with a cleanser, and the circuit board immersed in an electroless tin-plating bath; nickel and gold are possible substitutes for the tin. You may want to

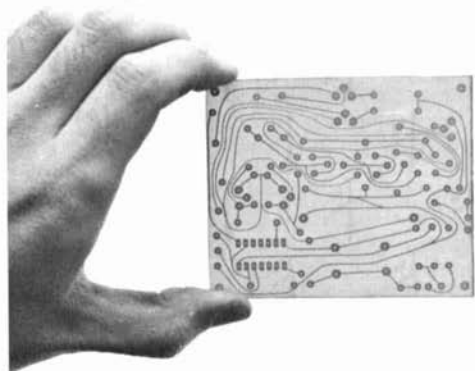


fig. 16. Completed printed-circuit board.

plate edge-connecting circuit boards with gold because of its high corrosion resistance. Unfortunately, Shipley gold- and nickel-plating solutions are presently available only in large quantities.\*

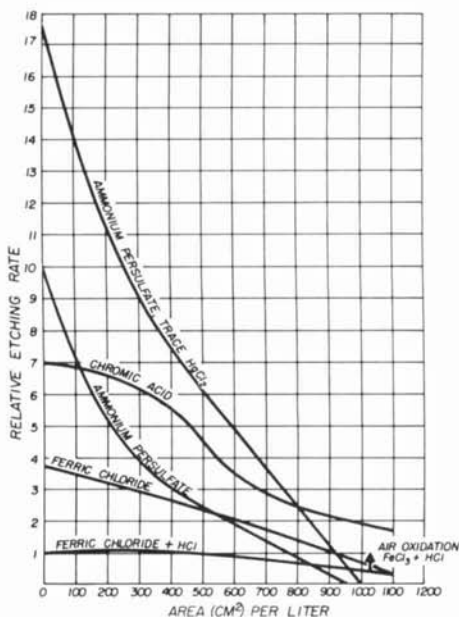
Note that if you use a positive-transparency — positive-resist or negative-transparency — negative-resist combination you may plate before resist application *or* after etching. If you don't have confidence in your abilities as a chemist and choose not to plate, leave the photoresist on since it affords good corrosion protection and makes soldering only slightly more difficult.

### electroless plating solutions

Electroless plating solutions are available which will plate a variety of metals at reasonable rates onto copper and certain other metal surfaces, or onto pretreated nonmetallic surfaces. No dc power is necessary as the solutions contain a reducing agent which chemically reduces the metal ions to the free metal at the solution-substrate interface. The

\*Gold plating, Shipley EL-221 gold, \$24.50 per gallon. Nickel plating, Shipley NL-63, \$19.00 per gallon. Shipley Company, Inc., 2300 Washington Street, Newton, Massachusetts 02162.

catch to an otherwise beautiful story is that there does not appear to be an electroless tin bath which is stable, plates at room temperature, and produces a shiny, thick and pore-free deposit.



**Ammonium persulfate:** 240 grams ammonium persulfate per liter (plus 10 milligrams mercuric chloride)

**Chromic acid:** 200 grams chromium trioxide and 200 milliliters concentrated sulfuric acid per liter

**Ferric chloride:** 600 grams ferric chloride per liter

**Ferric chloride plus hydrochloric acid:** 600 grams ferric chloride plus 300 milliliters concentrated hydrochloric acid per liter

**Cupric chloride:** 100 grams cupric chloride plus 300 milliliters concentrated hydrochloric acid per liter

fig. 17. Etching rates of various etchants vs depletion of etchant, square centimeters of 2-ounce copper-clad board etched per liter of etchant.

A common electroless tin-plating bath which will produce a fairly shiny, if thin and porous, tin plate at room temperature consists of ½ gram (¼ teaspoon) stannous chloride, 2 grams (½ teaspoon)

thiourea, and 3 grams (½ teaspoon) sulfamic acid dissolved in 100 milliliters (½ cup) of water. Five milligrams of either alizarin or alizarin red S may be added as a brightener if desired.



Materials for an electroless tin-plating bath.

This bath is unstable and only enough should be prepared at one time to cover the surface of the work to be plated. Plating time is 10 to 20 minutes. The bath does not produce deposits thick enough to withstand chromic acid and thus is not suitable for positive-mask — negative-resist — tinplate applications. For thick corrosion-resistant tinplate you must go to electroplating or high-temperature electroless tin baths. An example of the latter is Shipley's LT-27 tin (evaluation kit, \$8.50). This bath is operated at 150-180° F with plating times of five minutes; bath makeup requires concentrated hydrochloric acid.

### ground-plane circuit boards

In those instances where a good ground is necessary or where feedback may be a problem it is recommended that you use a ground-plane board. This can be done quite simply by using a two-sided copper-clad laminate and not etching one side. To prevent component leads from shorting to the ground plate it is neces-

sary to make a guard ring around each hole. This can be done either by routing with a drill or by photoresist techniques.

When working with uhf circuits it may be advantageous to combine ground-plane printed circuits with a recently introduced form of point-to-point wiring. The ground lead of a component is soldered directly to the ground plane; the other leads are connected either point-to-point, to stand-offs, or to islands of copper isolated from the ground plane. Pieces of circuit-board may be soldered edge-on to the ground plane to serve as shields or as mounts for coil forms and variable capacitors.

### materials

There is a considerable amount of high quality double-sided G-10 copper-clad board on the surplus market. Don't buy new printed-circuit board unless you are willing to pay about three times the cost of surplus material.

Kodak photoresists are available from local Kodak distributors (\$14.30 per quart for KPR 2). Kodak Autopositive photoresist type 3 (KAR 3) is a positive-working photoresist comparable to Shipley AZ-111. (KAR 3 is \$24.55 per quart; developer is \$3.95 for 2 gallons.)

Shipley AZ-111 photoresist can be obtained from S&H Electronics\* in quantities of 1 fluid ounce for \$2, or direct from Shipley for \$22 per quart. Large radio clubs might buy a quart and distribute the material to the membership. The shelf life of AZ-111 is one year at room temperature, two years if refrigerated. (Do not store in your home refrigerator if you have children who might mistake the photoresist for steak sauce.)

### references

1. "Printed-Circuit Handbook," GC Electronics, available from GC Distributors.
2. Thomas R. Rosica, "Making PC Boards from the Printed Page," *Popular Electronics*, October, 1968, page 69.
3. "Photofabrication of Printed Circuits," Eastman Kodak publication P-125, \$1.00 from Department 454, Eastman Kodak Company, Rochester, New York 14650.

ham radio

\*S&H Electronics, Post Office Box 286, Corvallis, Oregon 97330.

# Everyone has something.

## FIXED STATION TRAP VERTICAL

40 THROUGH 10 METERS

# HUSTLER

# has everything!



### One Setting for TOTAL BAND COVERAGE...

- **Lowest SWR—PLUS!**
- Bandwidth at its **broadest!** SWR 1.6 to 1 or better at band edges.
- Hustler exclusive trap covers "**Spritz**" **extruded** to otherwise unattainable close tolerances assuring accurate and permanent trap resonance.
- Solid one inch **fiberglass trap forms** for optimum electrical and mechanical stability.
- Extra heavy duty aluminum mounting bracket with **low loss—high strength** insulators.
- All sections **1 1/4" heavy wall, high strength aluminum. Length 21' 5"**.
- **Stainless steel clamps** permitting adjustment without damage to the aluminum tubing.
- Guaranteed to be **easiest assembly** of any multi-band vertical.
- Antenna has **3/8"-24 stud** at top to accept RM-75 or RM-75S Hustler resonator for **75 meter operation** when desired.
- Top loading on 75 meters for broader bandwidth and **higher radiation efficiency!**
- Feed with **any length** 50 ohm coax.
- Power capability—**full legal limit** on SSB and CW.

Buy **HUSTLER** ... buy the verified choice of thousands!

MODEL 4-BTV  
\$42.95  
AMATEUR NET  
Wgt. 15 lbs.

Available from all distributors  
who recognize the best!

## NEW-TRONICS CORP.

15800 COMMERCE PARK DRIVE  
BROOK PARK, OHIO 44142

World Wide Export, Roburn Agencies, Inc., 349 W. 14th St., New York, N.Y. 10014, Cable Address: Roburnage - New York

# top-loaded vertical for 80 meters

Ideas and  
construction notes  
for a popular version  
of the 1/4-wave  
vertical antenna  
using a  
capacitive hat  
for top loading

Henry G. Elwell, Jr., W2MB, 392 Lafayette Avenue, Westwood, New Jersey 07675

The purpose of this article is to pass along my experiences and some ideas on the evolution and construction of an 80-meter top-loaded vertical antenna. To keep things in chronological order, I'll start with the simple vertical wire I first put up. It consisted of a 60-foot length of no. 12 wire suspended from an insulator attached to the limb of a tree. The top of this antenna was 65 feet above ground.

## ground losses

All antenna literature states that a good ground system is necessary for a base-excited  $\frac{1}{4}$ -wave vertical. Therefore I laid out 24 radials around the antenna base. Each radial was no. 12 wire 66 feet long. But is this a good ground system for 80 meters? I thought so, and friend W2LV agreed it was the best I could do under my circumstances. However, W2LV kept mentioning ground losses and finally provided the information in **table 1**. This data doesn't exactly fit my case, but it is representative and based on a vertical radiator of 0.2 wavelength. The data goes back to the 1930s when broadcasters were interested in standard: for antennas with vertical propagation angles.

The interesting thing about the data is that if the radials are too short, say 0.1 $\lambda$  wavelength, they don't do much good.

## impedance matching

Using a GR 916A rf bridge, I made measurements between the antenna and ground system. Antenna characteristics are shown in fig. 1. A pure resistance of 57 ohms appears at 3.65 MHz. I wanted the antenna to resonate at 3.8 MHz, but at this frequency the impedance was 63 + j36 ohms, which is equivalent to an swr of 2. This indicated that some kind of matching arrangement was necessary.

The series-resonant circuit shown in fig. 2A was constructed and installed in a plywood box, then mounted on a short post at the bottom of the antenna wire. The 50-ohm tap point for the coax cable was determined using a homemade bridge.<sup>1</sup> A point on the coil producing a zero indication could not be found, so the arrangement of fig. 2B was used. The tap and capacitors were carefully adjusted to give a null. (Incidentally, I found from experience that it's prudent to check an impedance bridge with a carbon composition resistor to make sure everything is working properly.)

The transmission line was connected, and the transmitter was fired up. An swr of 1.2 (at 3.8 MHz) was obtained at the transmitter end with an swr bridge.

fig. 1. Measurements of the initial 80-meter  $\lambda/4$ -wave vertical suspended from a tree limb. Desired resonant frequency was 3.8 MHz.

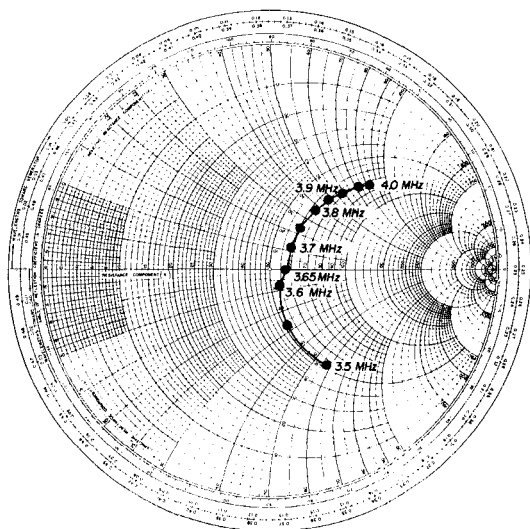


table 1. Ground loss in radials for vertical antennas.

no. radials	radial wavelength	percent ground loss
30	0.4	23
30	0.15	41
60	0.4	10
60	0.15	38
120	0.4	2
120	0.15	35

Results were interesting. Close-in signals (200-300 miles) were weak on the vertical compared to a horizontal antenna. Signals further away were about equal in amplitude on either antenna. DX signals (Europe, Hawaii) were stronger on

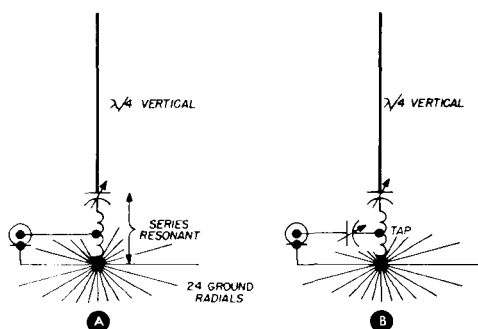


fig. 2. Tuned circuits for resonating the initial version of the vertical. Circuit at B produced an swr of 1.2 at the desired operating frequency.

the vertical. I worked 23 countries on 80-meter phone in the 1969 ARRL DX test with the vertical.

## top loading

Flushed with success, my next objective was to improve the efficiency of the vertical by moving the current loop away from ground. Top loading seemed to be the answer.

After reading the early articles<sup>2, 3, 4</sup> the installation shown in fig. 3 evolved. Although top loading can be accomplished with a ball, cylinder, or disk, the latter seemed the easiest to build. A chart<sup>2</sup> of capacitance vs. disk diameter showed that a disk six feet in diameter would give a capacitance of 61 pF. The only reason I picked six feet was that it was a nice

number and I felt the bigger the better. I had reason to regret this decision, which I'll now explain. You'll notice from fig. 3 that a pulley arrangement is used to raise and lower the antenna. Such a method is convenient and saves climbing during tuning adjustments. However, be sure the vertical path is free of obstructions for the whole diameter of the disk! I had a fearful journey up the tree cutting down branches which criss-crossed the six foot imaginary cylinder through which the disk has to pass. There were times when I wished that a 1-foot-diameter disk had been used.

### capacitive hat

The disk was made by using two six-foot lengths of 1 x 2 inch wood in the form of a cross. A circle of 1/4-inch copper tubing was supported on standoff insulators at the ends of the cross; and 24 no. 12 wires were connected from the outside to the center of the disk (fig. 4).

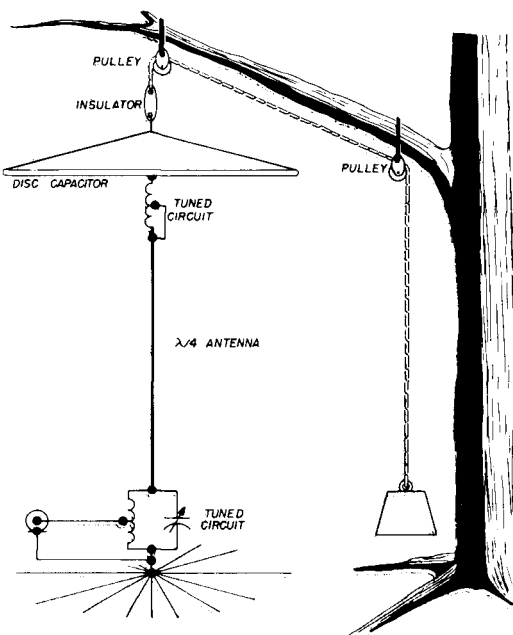


fig. 3. The antenna with a capacitive hat for top loading. The disk was six feet in diameter, but a smaller disk could have been used with a larger tuning inductance.

### loading inductance

Knowledge of the disk capacitance is necessary to obtain a ball-park figure for the loading-coil inductance. An inductance of 20  $\mu\text{H}$  was required to resonate the system at 3.8 MHz with the 61-pF disk.

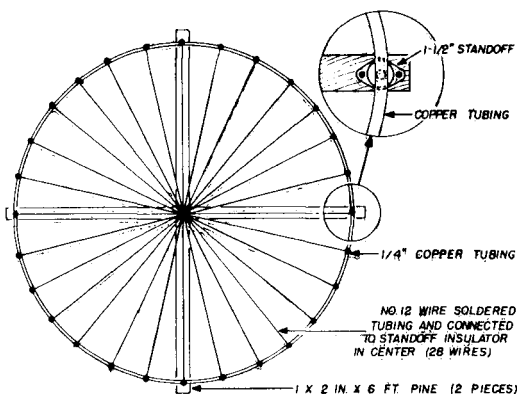


fig. 4. Construction details of the capacitive hat. The copper tubing is flattened and attached to a standoff insulator as shown in the inset.

The coil was from some surplus equipment. It has a 3-inch-diameter ceramic form with 33½ turns of no. 12 wire spaced the diameter of the wire, with an overall inductance of 44  $\mu\text{H}$ . This coil, with provisions for shorting out turns, was mounted as shown in fig. 3 and the whole thing hoisted in the air.

Now, how do you tune the coil to bring the antenna into resonance at the desired operating frequency? The old QST articles stated that the field strength of the antenna should be monitored at a distance greater than 300 feet. A point is reached when decreasing the coil inductance causes the field strength to drop off. You then go back a few turns and there you are.

Such a method works but it doesn't seem very scientific. Since I had an impedance bridge available I decided to do it properly.

Unfortunately the impedance bridge



measured only to about 1200 ohms, and the base of a properly tuned top-loaded vertical is probably several thousand ohms. It was necessary to have some means of using the bridge while adjusting the coil turns to produce a pure resistance at the base of the antenna, which would be in the range of the rf bridge. If

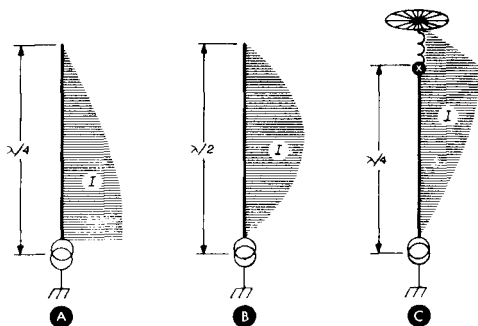


fig. 5. Current distribution on three vertical antennas. The tuned circuit at C simulates  $\frac{1}{4}$  wavelength.

a pure resistance is obtained at the antenna base, the antenna is in resonance.

### measurements

Let's pause a minute to look at the problem. Fig. 5 shows several conditions of current distribution. A is that of the quarter-wave vertical, B a half wave vertical, and C a top-loaded quarter-wave vertical to simulate a half wavelength. If we could put our measuring equipment at the top of the antenna, a low-impedance point would be available at point X; not very practical.

W2KXD pointed out that the same objective could be accomplished at ground level by using a quarter-wave extension as shown in fig. 6. The quarter-wave coax will translate the high impedance at the antenna end to a very low impedance at the bridge end of the coax. The bridge measurement will show a pure resistance when the antenna is at resonance. I believe this method of tuning the coil of the top-loaded vertical is novel.

Don't let the mention of a General Radio rf bridge scare you off if you don't have one available. The rf bridge described in Reference 5 will work very well. The quarter-wave coax length was determined by measuring its input with the output open circuited, and cutting until a pure resistance input was obtained. Before connecting the antenna, I took the precaution of inserting a 50-ohm carbon composition resistor across the bridge. It read 49.5 ohms, so I knew my setup was correct. With the total coil in use, a reading was taken at 3.5 and 4.0 MHz with the following results:

$$3.5 \text{ MHz } Z = 1.0 + j0 \text{ ohms}$$

$$4.0 \text{ MHz } Z = 1.5 + j 12.1 \text{ ohms}$$

The pure resistance at 3.5 MHz indicated that the antenna was resonating at that frequency, but 3.8 MHz was desired.

The antenna was lowered and eleven turns shorted out on the coil. After pulling the antenna back into place, the measurements then became:

freq (MHz)	impedance (ohms)
3.5	1 - j7.1
3.6	1.3 - j4.2
3.7	1.3 - j2.7
3.8	1.7 - j0
3.9	1.7 + j2.7
4.0	1.5 + j5.0

Resonance is indicated at 3.8 MHz, just where I wanted it. To further test the procedure, 23 turns were shorted out with the following results:

freq (MHz)	impedance (ohms)
3.5	2.5 - j11.4
3.6	2.0 - j9.7
3.7	2.2 - j4.0
3.8	2.3 - j2.6
3.9	2.2 - j2.0
4.00	2.2 - j1.2

It can be seen that resonance is above 4.0 MHz. Therefore the 11-turn tap point was correct.

Since there was now a high impedance at the base of the antenna, a parallel-tuned circuit was used as shown in fig. 7 and adjusted as previously described.

After reconnecting everything, the transmitter was fired up. The swr bridge at the transmitter end showed the following readings:

frequency (MHz)	swr
3.5	almost full scale
3.6	3.3
3.7	1.4
3.8	1.2
3.9	1.5
4.0	3.0

A check on the receiver showed that locals were way down compared to those on the half-wave horizontal, and equal

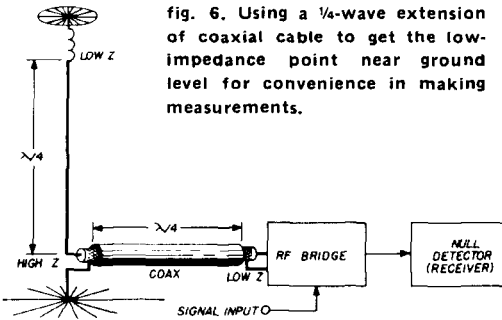


fig. 6. Using a  $\lambda/4$ -wave extension of coaxial cable to get the low-impedance point near ground level for convenience in making measurements.

signal strength between the two antennas appeared to be at about 1000 miles. The vertical was used on 80 meters during the 1969 phone CQ DX contest with good results. I had the intuitive feeling, however, that I could work DX stations just as well with the half-wave horizontal, because received signal strengths seemed to be the same. It was not working the

way I had hoped it would, and I wanted to do some more testing.

### current distribution

One nice thing about having a project and friends is the interesting discussions one can get into. W2LV suggested that I get rid of the coil and just use the disk,

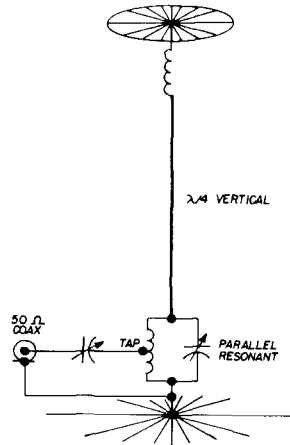


fig. 7. Parallel-resonant circuit for tuning the final configuration.

his feeling being that the coil is a loss unless it's wound with  $\frac{1}{4}$ -inch copper tubing, silver plated.

W2LL suggested that I solder a bunch of Christmas tree lights along the antenna and see if the current distribution was correct, then I could leave them up for the holiday season.

One never knows quite when to believe W2LL, but his suggestion fired my imagination. A dozen 2-volt, 60-mA bulbs were purchased and spaced every five feet along the 60-foot wire. There was some discussion on how far to tap the bulbs across the wire, but little objection to my suggestion of 5 inches. Having the antenna on the pulley made it easy to lower it, disconnect it, roll it up, and take it indoors to work on. The next evening, with the bulbs in place, the antenna was reconnected and hauled into position. It took 1 kW of power to light the lamps to proper brilliancy.

## final adjustments

I looked at the lights from all angles and several distances, trying to figure out a way to record their brilliance quantitatively. How do I get at a point equally distant from each light? Can I photograph them?

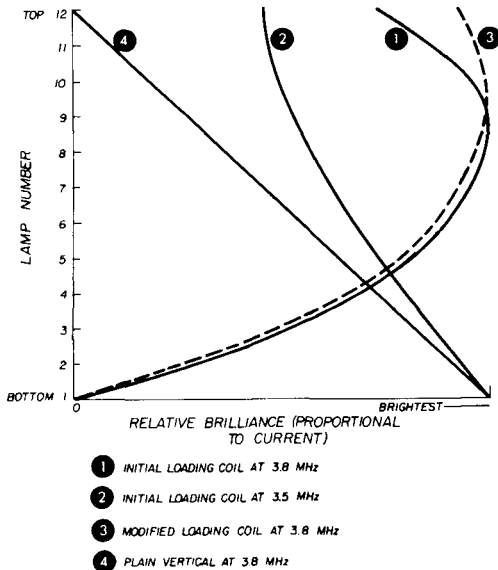


fig. 8. Results of tests using small lamps to determine current distribution.

The final solution was to pick out the brightest lamps, and those above and below that point were grouped as to equal brilliance. Very crude of course; but if you are there, you know what's happening. A plot of what I saw of the current distribution on the top-loaded  $\frac{1}{4}$ -wave vertical antenna is shown in fig. 8 for 3.8 MHz. The lamps at 1 show a current loop about  $\frac{3}{4}$  of the way to the top of the antenna. The transmitting frequency was increased to 4.0 MHz with results approximately the same. The transmitter frequency was then reduced to 3.5 MHz, and the lamps assumed a relative brilliance as shown by 2.

The next step was to lower the antenna, short out the total loading coil, and

pull up the antenna. With the transmitting frequency returned to 3.8 MHz, the relative current distribution appeared to be as at 2.

The light presentations for the different displays agree with theory except for the 1 readings; the maximum brilliance should be at the top.

Down came the antenna, and coil removed. The coil Q measured 290 and had an inductance of  $23 \mu\text{H}$ . (The same coil with the shorted turns unshorted had a Q of 400 and an inductance of  $44 \mu\text{H}$ .)

Turns were removed from the coil to return its inductance to  $23 \mu\text{H}$ . This not only improved the Q of the coil by eliminating the shorted turns, but improved its form factor as well. The final Q of the coil at 3.8 MHz was 480; a 165% improvement over the original value.

The coil was reinstalled in the antenna and the lights inspected. The dashed line, 3, of fig. 8 shows the improvement in the current distribution. I have no doubt that W2LV is correct in suggesting the use of  $\frac{1}{4}$ -inch copper tubing for the coil — or better yet eliminating it — but the improvement one way or the other seemed marginal.

## conclusions

I've attempted to pass along my experiences and some ideas on the evolution and design of an 80-meter top-loaded vertical antenna. You might say that my results were inconclusive since top loading gave no better results than base loading. However, top loading does get the current loop at the highest point of the antenna. If that's what you want, now you know how to do it.

## references

1. H. O. Pattison, W2MYH, et al, "A Standing Wave Meter for Coaxial Lines," *QST*, July, 1947.
2. R. B. Dome, "Increased Radiating Efficiency for Short Antennas," *QST*, September, 1934.
3. T. M. Ferril, Jr., W1LJ1, "Simple Vertical Antenna," *QST*, February, 1939.
4. Paul H. Lee, W3JM, "Vertical Antennas," *CQ*, June, 1968-May, 1969.
5. Henry S. Keen, W2CTK, "RF Impedance Bridge," *ham radio*, September, 1970.

ham radio

# frequency synchronization for scatter-mode propagation

A frequency standard  
that can be used  
by vhf/uhf stations  
to precalibrate  
receiving systems

**Vhf and uhf stations** attempting to communicate via the more exotic types of propagation (meteor scatter, moonbounce, tropo scatter, etc.) require close synchronization in two areas: time and frequency.

## the frequency sync problem

Time synchronization is generally not a problem. WWV, CHU, and other sources provide a time reference accurate enough for most communications. Accuracy of the receiving and transmitting frequencies is quite another matter, however.

Most moonbounce and meteor scatter work requires an extremely narrow i-f bandwidth (100-500 Hz) to enhance the effective signal-to-noise ratio of the re-

ceiving system. Setting this extremely narrow window accurately on the desired receiving frequency is difficult at best. At 432 MHz, 100 kHz represents a frequency accuracy of  $2 \times 10^{-5}$  percent! Most standard crystal calibrators or signal generators have inherent accuracies at least 100 times worse than this, not considering temperature variations. In addition, most receiving systems use at least one frequency conversion with a crystal-controlled local oscillator, resulting in another frequency error; namely, the accuracy and frequency stability of the crystal in the converter local oscillator. Multiple frequency conversion systems, commonly used above 420 MHz, are proportionately worse. Even a well-equipped vhf-uhf amateur station has the capability to calibrate only the station receiver, not the entire receiving system. As a result, most scatter-mode communication failures occur because one station or another is listening on the wrong frequency! This has happened on occasion to even the most proficient operators.

## temperature compensation

One possibility that comes to mind is to temperature compensate all frequency-determining components in the system and perform a one-time calibration, assuming all components do not drift or age with time or temperature. Experience has shown this to be a poor assumption;

James A Buscemi, K2OVS, A1L, A Division of Cutler-Hammer, Inc., Deer Park, New York

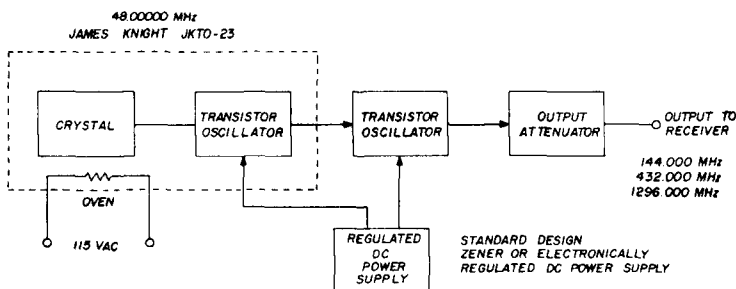
periodic recalibration of all test and measuring equipment is standard practice in industrial and military establishments. In addition, most amateurs don't have access to frequency counters or sophisticated lab equipment.

## frequency standard

Some sort of periodic frequency-calibration method is therefore necessary

sensitivity or antenna testing. A calibrator such as this is a worthwhile accessory and could, theoretically, be adjusted to extreme accuracy by comparison with an NBS traceable standard. However, individual construction and use of a similar calibrator would only introduce additional errors between stations (even commercial standard frequency counters have been known to drift out of calibration).

fig. 1. Suggested frequency standard for vhf/uhf moonbounce and tropo scatter work. Unit would be used by participating stations on a sharing basis to assure frequency synchronization before scheduled contacts.



for stations involved in moonbounce or meteor scatter work. A frequency-standard source is a necessity; a typical source is outlined in fig. 1. This frequency standard is crystal controlled, temperature stabilized and compensated,\* and voltage regulated to provide extremely stable frequency markers on 144, 432 and 1296 MHz. A James Knight type JKTO-23 oscillator module at 48 MHz provides the basic frequency stability. The oscillator alone produces enough output to calibrate most receiving systems on these frequencies and allows calibration of the transmitting frequency by comparison on the station receiver. The addition of amplifier, multiplier and/or attenuation stages is optional, depending on individual needs and desired flexibility.

## other uses

If calibrated on a power-output basis, the unit may also be used for system

\*Readers wishing to build their own crystal ovens will find an interesting proportional temperature control scheme in reference 1. editor.

Therefore, since most moonbounce, meteor scatter, and tropo work is generally conducted on a schedule basis between a small number of stations whose operators are known to each other, it is proposed that *one particular frequency standard* be constructed and circulated via parcel post among these operators immediately before planned schedules. Each operator could then use the same standard to calibrate his receiving (and transmitting) equipment before the schedule, thus increasing his chances of success.

Even if the standard had some long-term frequency drift, the stations using it would still be on the same frequency, regardless of whether that frequency were 432.0001 or 431.9999 MHz.

I hope the foregoing proposal will be of value to fellows involved in vhf/uhf work and promote more successful contacts on the bands above 144 MHz.

## reference

1. J. A. Koehler, VE5FP, "Proportional Temperature Control for Crystal Ovens," *ham radio*, January, 1970, p. 44.

ham radio

# high power injection lasers

More on the  
characteristics and  
driving requirements  
of these  
remarkable  
little lasers

With the continuing crowding of the radio spectrum it is likely, indeed probable, that forms of communication more esoteric than radio will eventually have a genuine usefulness to the amateur. Likely contenders are millimeter waves and optical links; the latter category is already within easy reach of today's amateur. It is the purpose of this article to review in detail some of the important characteristics of the diode laser and to provide some circuit information for driving high power units.

## characteristics

Laser diodes are moderately expensive and relatively fragile electrically. Invented at almost the same time by three different research laboratories (GE, IBM and MIT) in the fall of 1962, the first devices were formed by the diffusion of zinc into n-doped wafers of gallium arsenide (Ga-As), the material still most commonly used for semiconductor lasers.

Mechanical polishing of GaAs ingots or cleavage along crystalline planes (the preferred technique for commercial devices) produces the two end mirrors necessary for formation of the lasing cavity. Lasing occurs when electrons which have been stimulated to a high energy level to cross the pn junction fall back to the ground state. In the process their stored energy is given off as a photon of light (though other emissions may occur on a less frequent basis).

The emission of photons may be stimulated by other photons, hence setting up a chain reaction situation and the condition of *stimulated emission*. It is the stimulated emission of radiation that results in the production of quasi-coherent light.

Since the laser diode has very high gain the length of its cavity may be very short — only 10 or 15 thousandths of an inch. This is fortunate as the threshold for lasing, which is dependent on the

Forrest M. Mims, 6901 Zuni SE A-12, Albuquerque, New Mexico 87108

diode's surface area, would be prohibitively high if a lengthy cavity were required for proper operation.

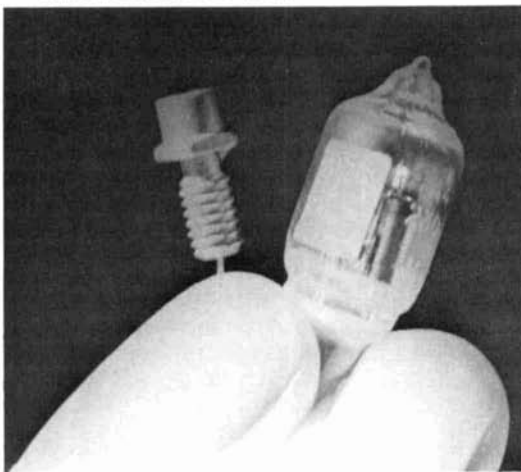
Though there are many possible configurations for experimental laser diodes commercial devices are either diffused or epitaxial. Epitaxial devices consist of two structures, homojunction and heterojunction. As the name might indicate the former is a straight GaAs epitaxial diode. The heterojunction, however, is formed with one side of the junction being composed of gallium aluminum arsenide (GaAlAs) a material similar in characteristics to GaAs.

Since the index of refraction of GaAlAs is higher than that of GaAs light radiating from the junction is subjected to a waveguiding effect with a resultant increase in laser efficiency. The magnitude of this increase in efficiency can be illustrated by comparing the lasing threshold for a diffused and a heterojunction laser, typically 100,000 amps/cm<sup>2</sup> and 10,000 amps/cm<sup>2</sup>, respectively.

### cw lasers

One device which is still in the laboratory is the double heterostructure laser.

Both injection lasers (left) and Krytron tubes (right) are quite small. The laser shown here is an RCA TA7699, a moderately high-power unit with typical optical output of 23 watts.



Invented at Bell Telephone Laboratories in the summer of 1970, this is the first semiconductor laser to operate continuously at room temperature. A significant lowering of the lasing threshold to 2,000 amps/cm<sup>2</sup> resulted in this achievement. As the name implies, the double heterostructure device has a layer of GaAlAs on either side of a central GaAs region. The enhanced waveguiding effect of the two GaAlAs layers helps to lower the lasing threshold.

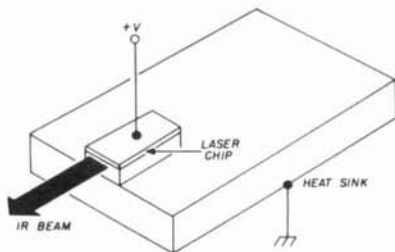


fig. 1. A typical injection laser is mounted as shown here. Infrared energy emerges from one of the parallel reflecting ends.

Though the new cw-at-room-temperature devices are not yet available commercially, their development is reported here because of their obvious application to voice communications. The ease with which these devices can be modulated greatly reduces the complexity and expense of both driving and receiver circuitry.

Like most semiconductors, laser diodes are sensitive to extremes of temperature and operating current. The lasing threshold is greatly dependent on temperature as shown in fig. 2. The sometimes subtle change from room to outdoor temperature can reduce the lasing threshold to the point where degradation can occur if the laser is operated at a current level suitable to the former condition.

Engineers at Holobeam, Inc. have designed a laser voice communicator with a feedback loop incorporating a thermistor in intimate contact with the laser to alleviate the problem. The thermistor

senses temperature changes and reduces laser current appropriately when temperature decreases.

## high-current drivers

A previous article in *ham radio* provided information on driving lasers with a low to medium operating current.<sup>1</sup> However, lasers are currently manufactured by several companies which require 150 or more amperes for optimum operation. IBM has one single laser diode which radiates as much as 50 watts peak optical power from each end when driven by 300 amp pulses (100 nsec pulse width).

Though laser arrays capable of delivering up to 300 watts are available off the shelf from both RCA and Laser Diode Laboratories (and other companies as well) the ease with which a single diode laser may be collimated makes high power devices attractive candidates for long-range optical communication experiments.

It is difficult to design semiconductor drivers for producing currents greater than 100 amps. Hunt has mentioned SCRs that can switch currents of this magnitude;<sup>2</sup> and Brown, *et al* have presented an interesting driver consisting of a parallel arrangement of avalanche transistors which produces 200-amp pulses.<sup>3</sup>

An elegant solution to the problem of generating high current pulses is the miniature cold-cathode krytron (which

should bring a chuckle from the anti-semiconductor club). Krytrons\* achieve extremely rapid switching times when discharge is initiated between cathode and anode. The discharge, which propagates through a gas under low pressure, is normally initiated by a positive pulse on the grid.

The circuit shown in fig. 3, which is similar to one developed by Sullivan, is capable of delivering pulses with an am-

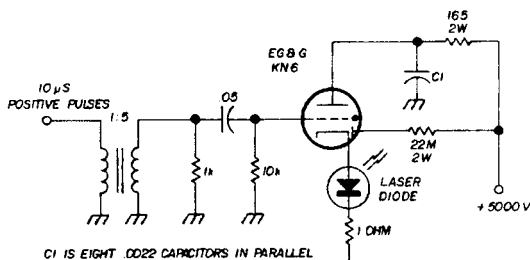


fig. 3. 2000-amp injection laser driver. Keep all leads carrying high current as short as possible. A unijunction-transistor oscillator will provide the positive-going input pulses.

plitude of up to 2,000 amps!<sup>4</sup> In operation, the eight 0.002- $\mu$ F capacitors are charged through a resistor of several hundred thousand ohms until the krytron is triggered *on* by a positive pulse at the grid. The high voltage stored in the capacitors is then dumped through the krytron, laser and the 1-ohm resistor. The resistor permits the 50-nsec pulse to be monitored with a fast oscilloscope (since the resistor's value is 1 ohm, volts displayed on the scope equal current in amps through the laser).

Because of the inductance contributed by component lead lengths the pulse generator discharge section is actually an RCL circuit. To optimize the circuit's pulse shape L should be decreased as much as possible by reducing lead lengths to the absolute minimum. Otherwise the circuit's pulse will include negative components, be quite ragged in appearance and quite likely be lengthened.

\*Made by EG&G, 160 Brookline Avenue, Boston, Massachusetts 02215.

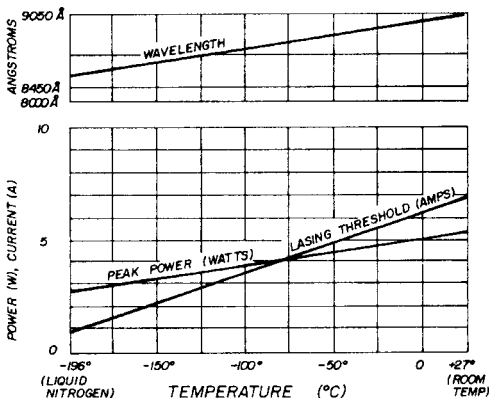


fig. 2. Effect of temperature on injection laser characteristics.



Of course, 2,000-amp pulses are overkill when it comes to driving lasers requiring from 100 to 300 amps. Peak current can be reduced to these lower values simply by lowering the charging voltage and/or slightly increasing the resistance of the current monitor. Peak current can be calculated from known component values, but because of the significant influence of undesirable strays, it is helpful to make actual current

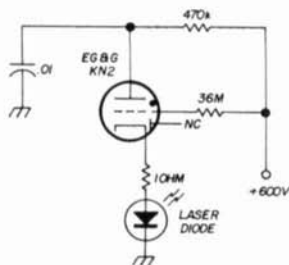


fig. 4. General-purpose injection laser driver. Keep all high current carrying leads as short as possible.

measurements with an oscilloscope using a conventional junction diode for a load. (To protect the laser diode it should be connected into a driving circuit *only* after peak current is known.)

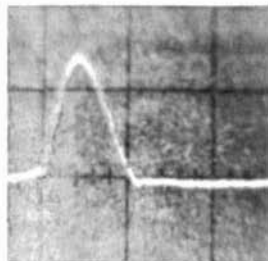
The circuit in fig. 3 may be operated at pulse repetition rates of up to 1000 Hz. Although fig. 3 is preferred for applications requiring current adjustments, such as when a variety of lasers are to be used, the circuit in fig. 4 is perfectly adequate for experimental work. Adapted from a design by Koechner,<sup>5</sup> the circuit is a simple free-running relaxation oscillator. Positive bias on the grid pre-ionizes a portion of the gas in the krytron and prepares the tube for firing. When the voltage stored in the 0.01- $\mu$ F capacitor becomes sufficiently high to fire the krytron, the capacitor discharges through the tube, the 1-ohm resistor and the laser diode. The 1-ohm resistor serves as a current-monitoring point as in the previous circuit.

With the values shown in fig. 4 the circuit will produce a 50 nsec, 75 amp

pulse at a repetition rate of about 200 pulses per second. If lead lengths between all components carrying the current pulse are kept short very clean pulses will be obtained. The circuit is ideal for driving moderately high power single laser diodes; suitable alterations of appropriate component values will permit very high power single lasers, such as the IBM series and the RCA TA7705 and TA7787, to be driven as well. Modifications are easily accomplished with the help of a fast oscilloscope. Serious experimenters would be well advised to consult Koechner's very complete paper for additional help; his theoretical treatment is excellent.

### power supplies

I have had good results operating both circuits with a miniature dc-dc converter. There are numerous ways of designing and building dc-dc converters; with the



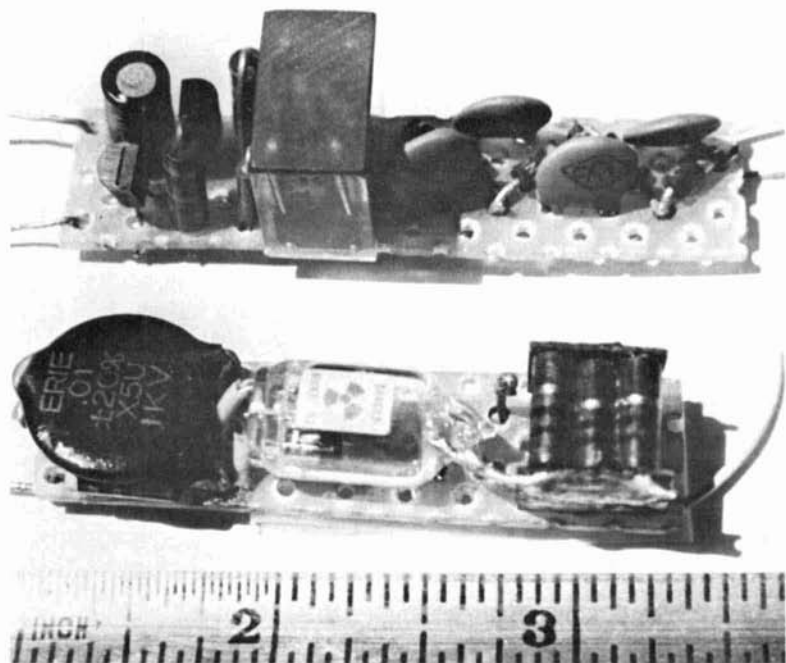
The circuit of fig. 4 yields an excellent pulse. Calibration is 100 nsec per horizontal division and 50 amps per vertical division.

numerous references available there is no need to describe a particular circuit here. Suffice it to say that a transistorized blocking oscillator with an appropriate step-up transformer followed, perhaps, by a voltage multiplier will permit a krytron laser driver to operate from a small 3-volt battery.

High-voltage photoflash batteries may be used to obtain the several hundred plus volts necessary to operate a laser driver, but the miniature size of the dc-dc converter makes it a very attractive power source, particularly for field experiments.

Additionally, the dc-dc converter is a one-time investment in contrast to high-voltage batteries. Regardless of the power source you choose be sure to follow all precautions that normally apply to high voltages. Size is deceiving — batteries and miniature dc-dc converters are capable of delivering healthy shocks.

With an impressive background of military contracts in the semiconductor laser business RCA offers, at present, the best buys for the experimenter in high-power single laser diodes. For low- to moderate-power lasers, try any of the companies except IBM. By the way, don't hesitate to write to the manufacturers for more



Injection laser drivers and power supplies can be easily miniaturized. The dc-dc converter (top) can supply up to 600 volts and will operate the laser driver (below) when powered by a 3-volt battery. The cube of 0.1-ohm resistors provides an especially low-inductance current monitor. These units were developed by the author for use in a small rocket.

### parts suppliers

Only a few companies manufacture laser diodes for commercial sale. Low- to moderate-power lasers are made by Laser Diode Laboratories, RCA, and Texas Instruments.\* Monsanto no longer manufactures lasers, but according to its latest data sheets still stocks several types. Sperry makes a relatively low cost laser, but production was halted as this article was being written. High-power single laser diodes are made by IBM and RCA. High-power arrays which generally do not require very high driving currents are made by Laser Diode Laboratories and RCA.

information; most of them will gladly supply very good data sheets and price and delivery schedules.

For practical communications experiments a simple lens arrangement is neces-

\*Injection lasers are manufactured by: IBM Corporation, Federal Systems Division, 18100 Frederick Pike, Gaithersburg, Maryland 20760; Laser Diode Laboratories, 205 Forrest Street, Metuchen, New Jersey 08840; Monsanto Company, Electronic Special Products Division, 10131 Bubb Road, Cupertino, California 95014; RCA Electronic Components, 415 South Fifth Street, Harrison, New Jersey 07029; and Texas Instruments, Inc., Semiconductor Components Division, Post Office Box 5474, Dallas, Texas 75222.

sary to collimate the laser beam. RCA has an excellent brochure<sup>6</sup> which touches on optics. Edmund Scientific Company (600 Edscorp Building, Barrington, New Jersey 08007) stocks a wide variety of plano-convex and double-convex lenses which will permit the fairly broad beam from a laser to be narrowed to a few tenths of a degree. To capture all the light emitted by a typical laser choose a lens whose focal length is approximately equal to its diameter (near f/1 as possible).

Laser receivers are discussed in some detail by Campbell in his earlier article on injection lasers. There are numerous technical articles and references on the subject of detecting light — but keep in mind that the laser's light pulse peaks in the infrared and is quite narrow in time. Silicon detectors are admirably matched to GaAs lasers spectrally, and special types respond well to very fast pulse widths.


### conclusion

Very few radio amateurs are experimenting with lasers of any kind, much less semiconductor lasers. The field is young — essentially wide open — and the time is ripe for amateurs with a pioneering instinct to become involved in the field of optical communications. The challenges are many (working with invisible light takes getting used to) but the rewards are great. In fact, it is quite likely that radio amateurs will make important contributions to this very important field of communications.

### references

1. R. Campbell, W4KAE, "Injection Laser Experiments," *ham radio*, November, 1970, page 28.
2. R. Hunt, "Laser Diodes Need High Current Drivers," *Electronic Design*, September 27, 1970, page 50.
3. H. Brown, et al, "Avalanche Transistors Drive Laser Diodes Hard and Fast," *Electronics*, November 14, 1966, page 137.
4. N. Sullivan, "2000-A Pulse Generator," *Review of Scientific Instruments*, May, 1964.
5. W. Koechner, "Extremely Small and Simple Pulse Generator for Injection Lasers," *Review of Scientific Instruments*, January, 1967.
6. RCA, "Gallium Arsenide Lasers and Emitters," RCA Pamphlet OPT-100.

ham radio



# DIODES

PIV	TOP-HAT 1.5 AMP	EPOXY 1.5 AMP	EPOXY 3 AMP	STUD- MOUNT 6 AMP
50	.04	.06	.12	.15
100	.06	.08	.16	.20
200	.08	.10	.20	.25
400	.12	.14	.28	.50
600	.14	.16	.32	.58
800		.20	.40	.65
1000		.24	.48	.75


---

## CAPACITORS

ALL NEW FULL AXIAL LEADS


1 Mfd @	25 Volts	5 for \$1.00
3 Mfd @	6 Volts	5 for \$1.00
5 Mfd @	15 Volts	5 for \$1.00
10 Mfd @	6 Volts	5 for \$1.00
30 Mfd @	15 Volts	5 for \$1.00
80 Mfd @	2.5 Volts	5 for \$1.00
100 Mfd @	15 Volts	5 for \$1.00
250 Mfd @	30 Volts	3 for \$1.00
500 Mfd @	25 Volts	3 for \$1.00
500 Mfd @	50 Volts	40¢ ea.
1000 Mfd @	12 Volts	3 for \$1.00
1500 Mfd @	25 Volts	2 for \$1.00
3000 Mfd @	16 Volts	2 for \$1.00

---



**6 Foot Gray Line Cord. UL Approved. Very nice**  
40¢ ea. ppd

---

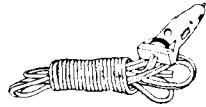


**3000 MFD @ 30 VOLT CAPACITORS**  
Size: 1" Diameter x 3" Long.  
75¢ each or 3 for \$2.00 ppd.

---

ITT 1N4004	18¢ each
ITT 1N4007	28¢ each

---



**HIGHEST QUALITY AMERICAN MADE POWER CORD**

6 Foot Gray Cord. Good For At Least 7 Amps. Plugs Into Auto Cigarette Lighter. A Hard to Find Item. 75¢ each or 3 for \$2.00 ppd.

---

88 MHY CT Unpotted Toroids. 5 for \$1.50 ppd.

---

**ASSORTED CARBON RESISTORS**

All Standard Values. 100 for \$3.00 ppd.

---

JAN 1N270	5 for \$1.00 ppd.
TI 1N914	16 for \$1.00 ppd.

---

**SEND STAMP FOR BARGAIN LIST**


Pa. Residents add 6% State sales tax

**ALL ITEMS PPD. USA**

---

**M. WEINSCHENKER K3DPJ**

BOX 353 • IRWIN, PA. 15642

september 1971  33

# mobile fm sequential encoder

This  
sequential encoder  
provides complete  
dial control  
of your local  
fm repeater

John S. Hollar, W3JJU, 377 Rumson Drive, Harrisburg, Pennsylvania 17104

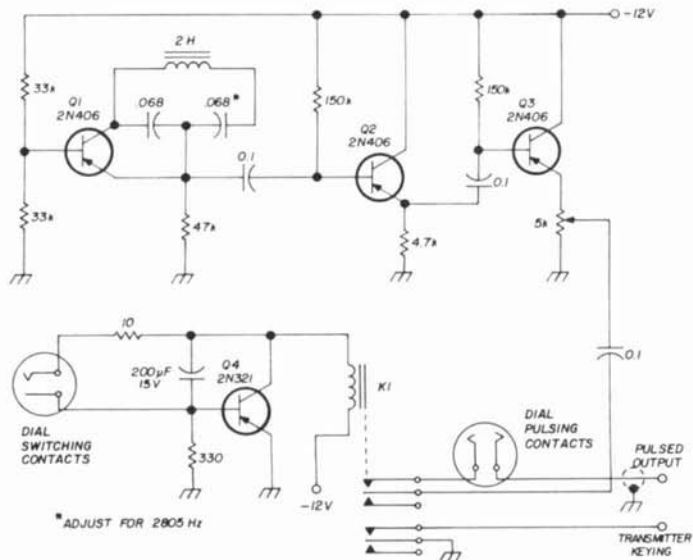
A **stable pulsed encoder** for controlling fm repeaters is a relatively simple device requiring only a few components and a telephone dial. Since more and more fm repeaters are using pulse-type decoders and additional control it is convenient to have a small pulse encoder on hand whenever you need it.

The pulsed encoder in **fig. 1** uses lowcost parts, is easy to build, and provides an excellent sequential encoder for mobile fm operation. The full-size printed-circuit board in **fig. 2** reduces construction time to a few hours.

All components except the toroid oscillator coil should be available at your local parts store. Although I used a 2-Henry toroid in the circuit in **fig. 1** the surplus 88-mH toroids used by RTTY enthusiasts will do an excellent job if you juggle the values of the tone determining capacitors.

The circuit in **fig. 1** consists of a 2805-Hz oscillator (Q1), buffer stage (Q2) and emitter follower (Q3). The oscillator tone is set to the desired frequency by adjusting the .068  $\mu$ F capacitor marked with an asterisk. In some cases it may be necessary to put two capacitors in parallel to obtain the desired tone.

The 3-second hold circuit (Q4) provides a 3-second carrier and tone at the end of the pulsing sequence. This allows for selective calling of a control pulse with "hands off" capability. I used an Allied 12-Vdc dpdt relay with a coil resistance of approximately 560 ohms at K1. This is not critical however, and almost any 12-Vdc relay will work. Transistor Q4 heats up a little, but since



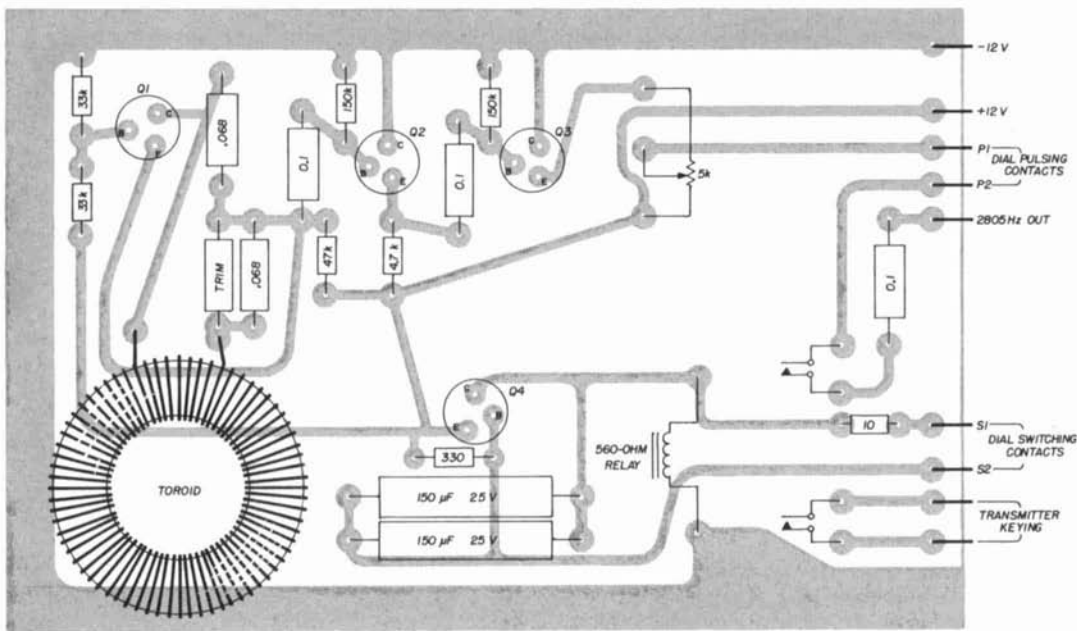
control is not continuous it is not necessary to use a heavy-duty transistor.

If you use this circuit without a separate power supply (a 9-volt transistor radio battery will work), you must bypass circuit ground or *tone low* through a 0.1  $\mu$ F capacitor to isolate the positive volt-

age from system ground. Since the circuit is open (no tone) until it is dialed and the relay picks up, the unit can be connected directly across the microphone input of your transmitter. The output matches the inputs of most fm transceivers (except those with carbon microphones).

ham radio

fig. 2. Full-size printed-circuit board and component layout for the sequential fm encoder.



# a stable, variable-output weak-signal source

Receiver alignment  
generator,  
frequency standard,  
neutralization  
signal source  
are just a few  
uses for  
this instrument

A necessary adjunct to any test-equipment bench is a stable weak-signal source. This device is basically a crystal-controlled signal generator with an adjustable output. Its applications are analogous to the tunable signal generator, but it can be a much more useful tool than either a signal generator or a crystal calibrator by combining the properties of both. Several vhf signal sources have been described in *ham radio*<sup>1, 2</sup> and *VHFer*.<sup>3</sup> All either lack frequency stability as the output is varied, or else they have too low output at the higher harmonic frequencies. The unit shown in **fig. 1** uses a pair of inexpensive RCA 40673 dual-gate mosfets to eliminate these shortcomings.

## circuit description

The addition of a crystal-selector switch, S1, allows the choice of frequencies from 1 through 10 MHz. Presently, my unit uses 1 and 3.5 MHz for the high-frequency range and 8.0 MHz, 8.222 MHz, and 8.333 MHz for frequencies from 50 through 1296 MHz. High harmonic output is assured by the use of an H-P 2800 hot-carrier diode multiplier. Usable harmonic energy up to 1296 MHz been observed on a spectrum analyzer. With the circuit shown, the output was -82 dBm at 1296 MHz, a readily detectable level. A plot of output vs. frequency is shown in **table 1**.

Basically, the circuit is an untuned Colpitts crystal oscillator driving a wide-band buffer, which in turn drives the hot-carrier diode multiplier. Two pots are used to adjust the output level. R2 sets the voltage level of G2 in the oscillator. This control is set to either of two calibrated points depending on the application. For example, if weak signal testing is desired, R2 is adjusted to the point at which oscillation is barely sustained. If a strong signal is desired, R2 is set to maximum output. The output-adjust pot, R7, sets the voltage of G2 on the 40673 buffer. The pot shown gives a -40 dB change in output level. This adjustment range can be calibrated in conjunction with a known attenuator and your receiver S-meter. Another approach is to mark off a 10-dB range in 1 dB steps on R7's scale and use an external attenuator for coarse adjustments.

## construction

I used double-sided copper circuit board soldered together to form a 3 x 6 x 1 1/2 inch box. An LMB or Bud aluminum box of equivalent size could be used and the circuit built on a copper

Bruce Clark, K6JYO, 1019 El Dorado Drive, Fullerton, California 92632

sub-chassis inside as shown in fig. 2. However, rf leakage may be a problem at low levels using this construction. Extra

## vhf converter alignment

A word of caution about the use of the signal source for vhf front end align-

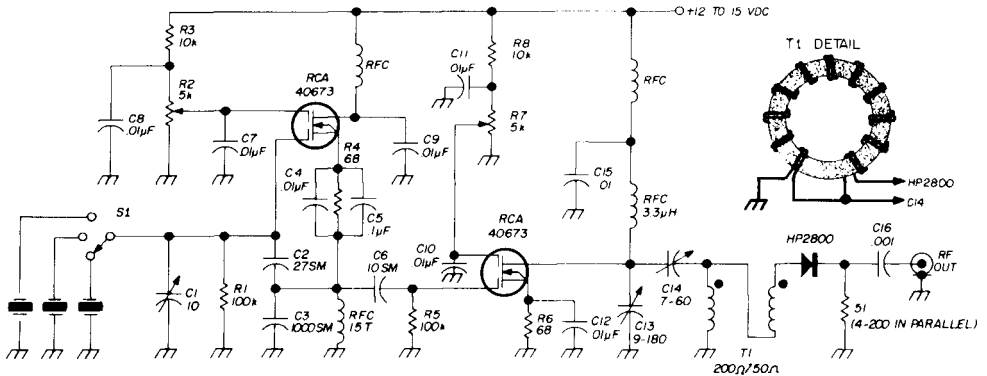


fig. 1. Schematic of the weak-signal source. T1: 7 turns no. 28 or 30 wire, bifilar-wound on no. 3E2A Ferroxcube toroid form. Rf chokes: 10 turns no. 24 or 26 on same form as T1 unless specified otherwise. C13: Arco 423. C14: Arco 404.

screws must be used to keep the box rf tight. This will minimize leakage for most applications.

A simple ac supply capable of supplying 12-15 V at 25 mA may be built in the box; or if desired, a 12-15 V battery supply may be substituted. If an ac supply is used, the line cord should be well bypassed with feedthrough capacitors to eliminate rf leakage from this source.

## applications

The uses of the unit are many. With a 1- or 3.5-MHz crystal, it makes an excellent frequency standard, band-edge marker, or receiver alignment generator. With an 8-MHz crystal, it can serve as a weak-signal source for vhf front-end alignment. In its maximum power output mode, the unit becomes a signal source for neutralizing converters and high-power rf amplifiers.

Other applications include calibration of receiver S-meters and determination of receiver dynamic (agc) range. Also, you could probably replace the harmonic generator with a tuned circuit, key the buffer, and go super QRP!

table 1. Output vs frequency.

frequency (MHz)	harmonic	output level (dBm)
8	-	-2*
16	2	-3.4
32	4	-17.4
48	6	-24.4
64	8	-29.0
144	18	-44.0
216	27	-51.2
432	54	-63.2
1296	162	-82.3

\*0.625 mW across 50 ohms

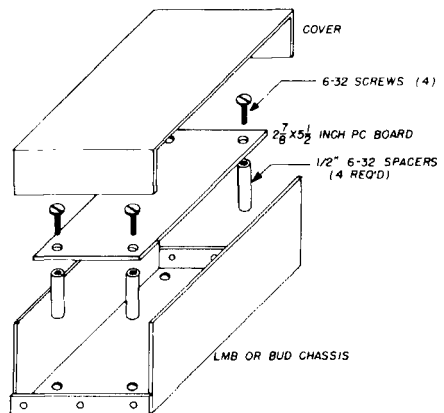


fig. 2. Alternate chassis design. An rf-tight enclosure is a must (see text).

ment: if the device under test (fig. 3) has little front-end selectivity or is badly mistuned, it may be possible to tune it up on the wrong harmonic of the signal source; e. g., a 432-MHz converter with a 28-MHz i-f should be tuned up on its 54th harmonic (assuming an 8.000-MHz

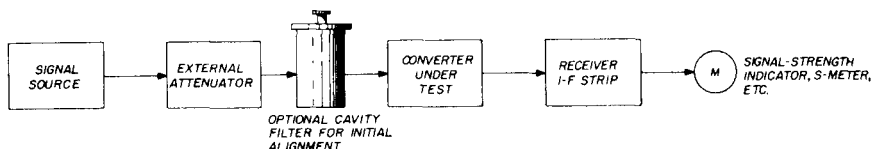


fig. 3. Setup for alignment of vhf converters.

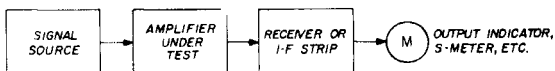
crystal in the source). However, the 47th harmonic of 8.00 MHz is 376 MHz, which is the image frequency of the converter. Since this is a lower-order harmonic, it contains more energy than the desired one and could be the source of a lot of frustration. A similar situation exists with a 144-MHz converter using a 28-MHz i-f where the 18th harmonic is 144 MHz and the 11th harmonic is 88 MHz, which is the image. The solution in these cases is to include some selectivity between the signal source and the unit under test, at least until you're sure the converter is properly adjusted to the desired frequency. A second method is to offset the crystal frequency a few hundred Hz high using C1. The lower-order harmonic on the image frequency will then fall below the desired harmonic and can be easily identified.

4. Reconnect source bias resistor of filament lead.

For transmitter power amplifiers:

1. For tube rigs, *turn off B+ and screen voltage*. For transistor transmitters, leave B+ on and open emitter lead.
2. Connect weak-signal source to input. Adjust to maximum signal level.
3. Connect receiver to rf output of amplifier.
4. Tune in signal source and peak amplifier input and output controls for maximum S-meter indication on receiver.
5. Adjust neutralizing capacitor for minimum signal feedthrough. Repeat several times for maximum null.

fig. 4. Arrangement for neutralizing receiver or transmitter rf amplifiers. Procedures are given in the text.



### neutralization of rf amplifiers

Fig. 4 shows the arrangement for neutralizing a receiver or transmitter rf amplifier. The procedure for receiver amplifier neutralization is as follows:

1. With B+ off disable the amplifier by opening the source bias resistor or

### references

1. Del Crowell, K6RIL, "A 432 and 1296 MHz Signal Source," *ham radio*, September, 1969, p. 20.
2. J. W. Brannin, K6JC, "A Stable Small-Signal Source for 432 MHz," *ham radio*, March, 1970, p. 58.
3. S. Freeley, K6HMS, "A 144 MHz Weak-Signal Source," *VHF'er*, July, 1965.

ham radio



# multimode i-f system

External refinements  
for older receivers —  
featuring ssb, fm,  
and synchronous  
a-m detection  
plus a wide-range  
audio compressor

Richard Factor, WA2IKL, 30 West 60th Street, New York, New York 10023

Here's an outboard i-f and audio system that can be used with older receivers to bring them up to today's standards. Most older sets have little room to spare for adding a selective filter and product detector — essential requirements for good ssb performance. In addition to normal ssb operation, the circuit described here provides:

1. An fm detector essentially immune to a-m interference.
2. An audio compressor with a wide dynamic range and slow time constant, which eliminates constant riding of the volume control during net operation and fm-channel monitoring.
3. Synchronous a-m detection.

## the circuit

The multimode i-f and audio system schematic is shown in **fig. 1**. Semiconductor enthusiasts will note an assortment of rather unusual ICs in the i-f and detector circuits. One of the new Signetics phase-locked loops, the PLL 560, is used as an f-m detector and carrier generator. A Motorola MC1596 balanced-modulator IC operates as a balanced demodulator in the product detector. The audio compressor, **fig. 2**, uses a type 709 op amp with a Raysistor CK1112 as the gain-control element.

To understand how the i-f/detector works, refer to **fig. 3**, paying particular

attention to the switch positions for each mode.

## single sideband reception

Sideband operation is similar to that in

reception a 50 Hz error isn't serious, but in a-m reception any error is a disaster. You have a carrier and a bfo signal. If a phase difference exists between them, their outputs may cancel, leaving no

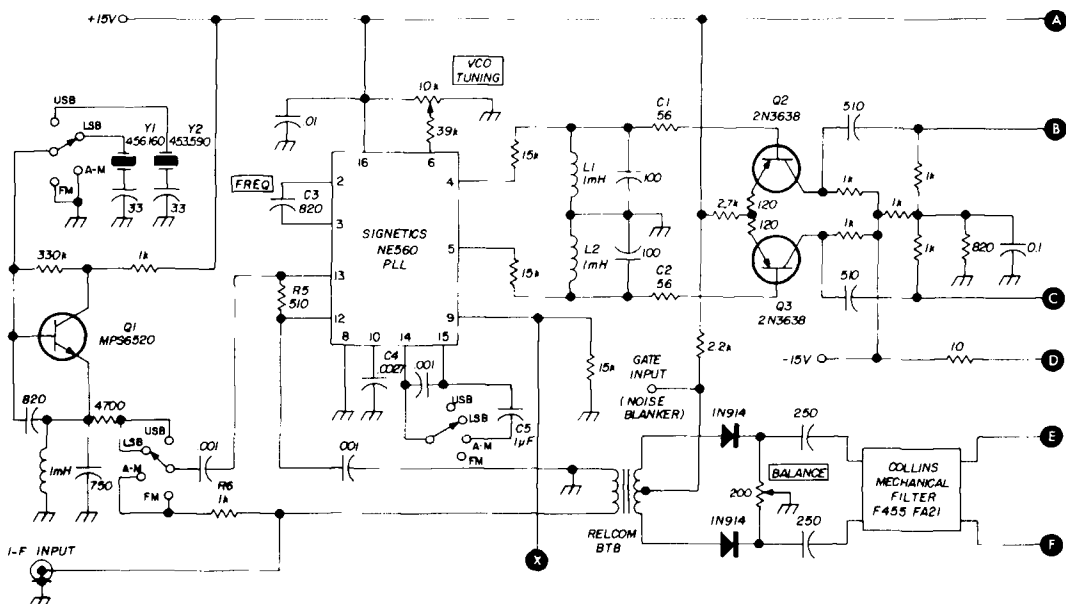


fig. 1. Schematic of the multimode i-f/audio system. Substitute devices may be used; e.g., the less-expensive PL 565 can replace the PLL 560. Also, equivalent IC's by Fairchild and Signetics are available for the balanced demodulator.

standard receivers: the bfo generates a signal equal to the (suppressed) carrier frequency of the signal you are tuning. The mechanical filter passband is above the bfo for usb; below it for lsb. The bfo output goes to the phase-locked-loop input, and the loop vco output goes to one input of the product detector. In this operation, the phase-locked loop acts as a buffer since the input frequency is equal to the output frequency, and the vco output is the only signal used. The mechanical filter output goes to the other product-detector input, and the output of the product detector is the reconstructed audio signal.

## a-m reception

If you try to receive a-m with a sideband receiver, inevitably you run into the problem of precision tuning. In ssb

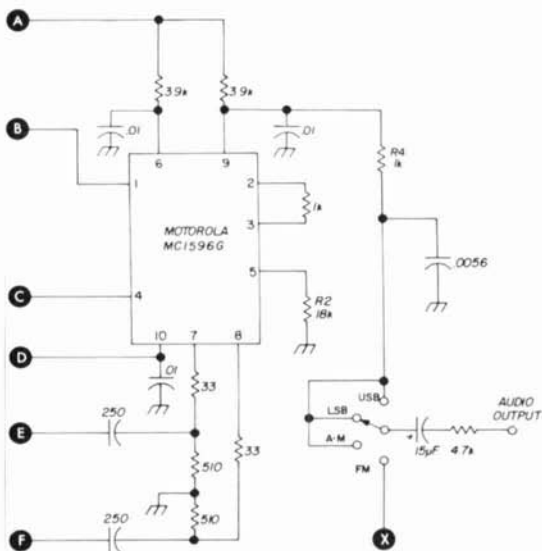
reference for demodulation. If there is a frequency error a flutter will occur as the phases change, or a beat note will occur if the phase difference is sufficient. Synchronous detection eliminates these problems.

The a-m signal is simultaneously applied to the mechanical filter input and the phase-locked-loop input. The phase-locked-loop synchronizes with the carrier of the a-m signal and provides a reference of the correct phase to demodulate the signal. Meanwhile, the signal is processed by the mechanical filter, which can be positioned anywhere with respect to the carrier frequency, thus improving selectivity.

## f-m reception

The phase-locked loop synchronizes with the carrier of the incoming signal. If

the signal increases in frequency, a dc voltage produced by the loop increases the oscillator frequency. If the signal decreases in frequency, the dc voltage decreases to re-sync the oscillator. Thus,



the dc voltage is proportional to the input frequency. Producing a voltage proportional to the frequency of the input signal is called f-m detection. The allowable deviation of the f-m signal is dependent upon the receiver i-f bandwidth before the mechanical filter. This will usually be sufficient to copy downconverted two-meter signals.

### compressor

The compressor consists of an operational amplifier with a variable resistor in the feedback loop. A low resistance decreases the gain. Since the "resistor" is light dependent, it can be controlled electronically. The op-amp output is rectified and applied to a long-time-constant RC network at the input to a Darlington stage. The Darlington output goes to the lamp half of the Raysistor. Thus, as the amplifier output tends to increase, the circuit gain decreases, maintaining a constant average output through a wide dynamic range.

### circuit details

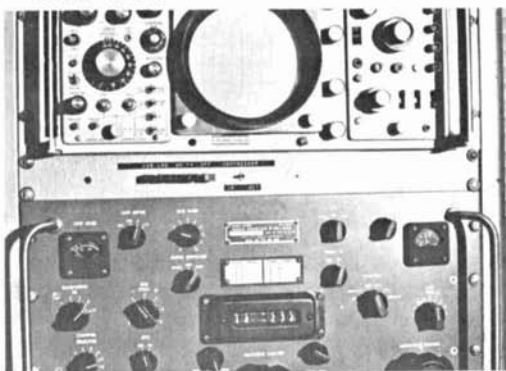
The i-f input from my receiver was about 1V p-p into 50 ohms. This was ideal for driving a 2-to-1 broadband transformer I had available. The transformer output is balanced, which makes it ideal for gating if you wish to use a i-f noise blanker.

Preliminary experiments indicated that a noise blanker inserted here offered little improvement over conventional limiters, probably due to the already narrow selectivity. So if you don't have such a transformer don't worry about it. Just connect the filter directly to the i-f output. The filter output is resonated by the two 250-pF capacitors and is connected differentially to the product-detector input. The two 33-ohm resistors are parasitic suppressors. R1 and R2 set the product detector gain and bias. R1 may be adjusted, depending upon the receiver i-f output. R2 should be adjusted if you wish to use a different power-supply voltage. R3 and R4 and the associated capacitors form a low-pass filter on the product-detector output to keep 455 kHz signals out of the rest of the circuit.

### buffer and bias network adjustment

The assembly between the vco output and the product detector carrier input

Front view of the external multimode i-f/audio and compressor system. Note the neat arrangement of the rack-and-panel unitized packaging. Receiver below the multimode system is a Collins R-391.

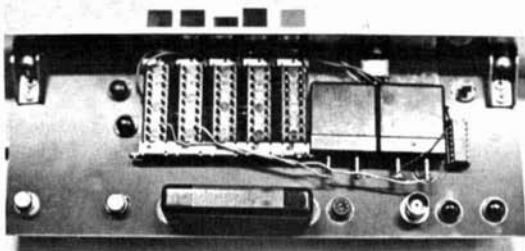


(containing L1, L2; Q2, Q3) is a rather elaborate buffer amplifier and biasing network. The vco output is a square wave with a positive dc bias. The product detector requires a sine wave with a negative dc bias. Differential amplifier Q2, Q3 make up for some of the signal lost in the resonant filters. By changing the resonant-filter capacitors C1 and C2, variable phase shift may be introduced if necessary. To align the phase, switch to a-m and insert a 455 kHz signal into the input. Compare the signals on pins 1 and 7 of the product detector. If they are in phase, or nearly so, no adjustment is necessary (likewise if they are 180 degrees out of phase). If they are approaching 90 (or 270) degrees, remove 30 pF from C1 and C2. This sounds a lot more critical than it really is. Even if the signals are *exactly* 90 degrees out of phase things rapidly improve with any introduction of phase shift.

### phase-locked loop

The phase-locked loop has been adequately described<sup>1</sup> so I won't go into detail here. C3 sets the vco free-running frequency to about 455 kHz. The 10k tuning pot is a vernier control to center the frequency. R5 and R6 form an input divider network to avoid overloading the

phase-locked loop and to increase a-m rejection in the f-m mode. C4 is a de-emphasis capacitor to lower high-frequency audio response of the phase-locked loop. C6 is a loop filter capacitor, which ensures stability of the loop and yet allows it to change frequency fast enough to follow the f-m input. In the a-m mode C5 is switched in to maintain a



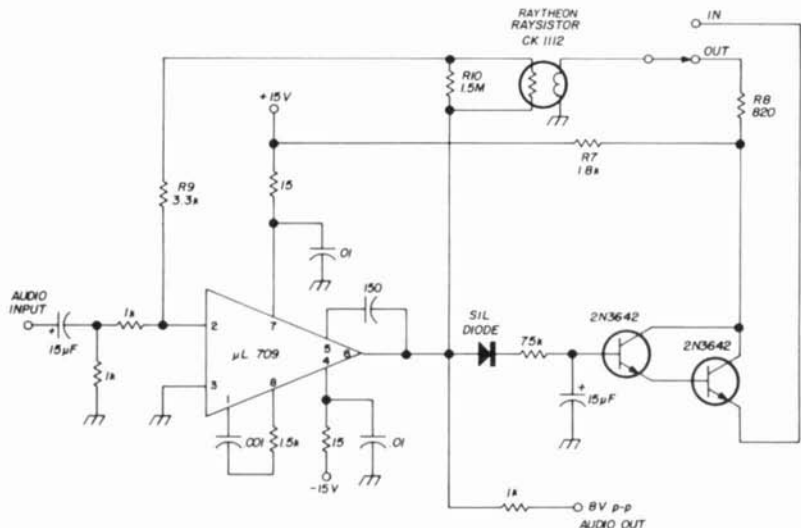
Parts layout and wiring of the final unit. Short leads are recommended for minimum intrastage rf coupling.

stable output frequency during modulation.

### bfo

The bfo is a standard oscillator circuit. I never could remember who it was

fig. 2. Audio compressor schematic. Circuit is designed around the Raytheon CK1112 Raysistor, but a cadmium sulfide photo cell and low-current pilot light could be used as a sensor. See text.



named after. However, the important thing is that, if you have spent as many hours as I have trying to get those miserable FT243 crystals to oscillate, you'll be happy to have a decent circuit regardless of whom it is named after. One important note: keep the leads to the crystals short or this circuit won't work either.

## construction

I built the final unit as shown in the photos. The bfo and input circuits are on one side of the filter; the product detector and audio circuits are on the other. Before building the final unit, I breadboarded the circuits. All the components had long leads, but both circuits seemed to perform equally well. However, leads

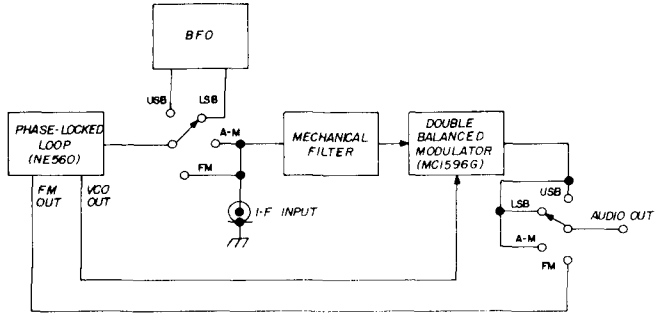


fig. 3. System block diagram.

## compressor design

The Raytheon CK1112 Raysistor may be difficult to obtain. A Raysistor can be built for about a dollar, using a cadmium sulfide photocell and a low-current pilot light. R7 is determined by connecting it in series with the lamp and the power supply. Enough current should flow in the lamp to give a photocell resistance of 1 – 2k. Measure the lamp voltage under normal operation. R8 should be connected in series with R7 to the lamp when you don't want compression in this way, compression can be switched in and out without changing the circuit gain and without introducing transients in the audio circuit. R9 sets the minimum gain of the op amp with the photocell fully conducting. R10 sets the gain with the photocell off. The ratio of these resistors is approximately equal to the amount of compression available. The values I have used give a range of about 55 dB, which is somewhat extravagant since an audio signal-to-noise ratio of 55 dB is seldom encountered in ham work. Vary these resistors to suit your taste. They are relatively independent of the type of photocell you use.

should be short to keep rf radiation to a minimum. I used many bypass capacitors and parasitic suppressors. If you want to leave them out, do so at your peril. The inherently balanced circuitry probably contributed as much to stable and reliable operation as did the wiring technique.

## parts availability

The PLL 560, which at this writing is fairly expensive, can be replaced by a PLL 565, which isn't. The balanced demodulator is manufactured by Motorola, Fairchild, and Signetics. The Collins mechanical filter can probably be replaced with a Japanese unit that I've seen advertised for much less money. The BT8 transformer and CK1112 Raysistor have already been discussed. Everything else is quite inexpensive. The money you save on parts might well pay for one of those old surplus receivers, which can be resurrected with the multimode i-f system described here.

## reference

1. Jim Kyle, K5JKX, "The Phase-Locked Loop Comes of Age," 73, October, 1970, page 42.

ham radio

# simple transconductance tester for field-effect transistors

A versatile,  
low-cost  
test circuit  
for checking  
the performance  
of field-effect  
transistors

Robert S. Stein, W6NBI, 1849 Middleton Avenue, Los Altos, California 94022

At the last West Coast VHF Conference my favorite two-meter fet converter's noise figure was checked and found wanting. Since this converter<sup>1</sup> had previously been measured at better than 2 dB it was apparent that it needed some work. The signal generator, sweep generator and noise generator were broken out in an effort to restore the beast to its original operating condition. After many fruitless hours of alignment and checking the converter was only slightly improved and was still far below what it should have been.

Although I had replaced the fet in the first r-f stage I had not checked the other fets, but assumed that they were good since the converter was working. By accident (or for reasons I don't remember) I removed the second r-f amplifier fet from its socket. There was virtually no difference in received signals with or without the fet! The transistor was dead. With a new fet in the socket it took all of 15 minutes to realign the converter, restore the bandwidth to 4 MHz, and verify that the noise figure was once again better than 2dB.

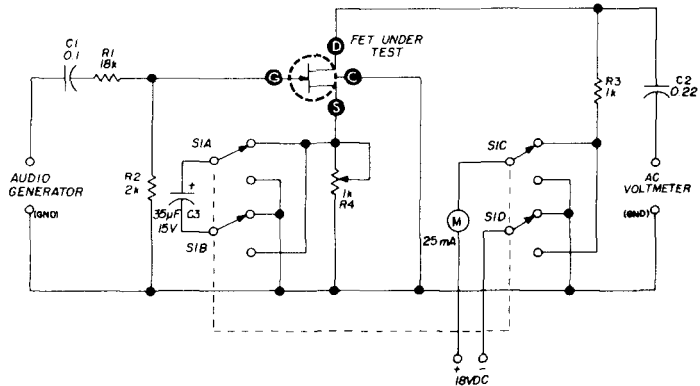
A little analysis showed what was happening. The defective stage was a neutralized common-source amplifier. With a dead transistor the signal at the gate lead was coupled across the neutralizing inductance to the drain tank circuit and the mixer, less 10 dB of amplification.

Everyone knows the first step in

troubleshooting is to check the suspect tube or transistor. However, this requires a suitable tester, which I did not have. I have one now, though, that uses an external audio oscillator and ac voltmeter or oscilloscope (see fig. 1). Cost, even with all new components, is minimal.

calibrated oscilloscope connected across the output terminals indicates the output voltage developed across the 1k drain load, R3. The forward transconductance of the transistor under test, in micromhos, is equal to 10,000 times the output voltage. Thus, if the voltmeter

fig. 1. Circuit of the fet transconductance tester. Switch S1 is a 4-pole, double-throw, non-shorting rotary.



## circuit

A 1-volt, 1000-Hz audio signal is applied to the input of the fet tester. R1 and R2 form a 10:1 voltage divider that reduces the signal at the gate of the fet under test to 100 millivolts; virtually no gate current will flow under zero-bias conditions. An external ac voltmeter or

\*The explanation of this relationship is as follows. The forward transconductance,  $g_{fs}$ , of the device under test may be expressed in mhos as

$$g_{fs} = \frac{i_d}{e_g}$$

where  $i_d$  is the a-c component of the drain current (in amperes) and  $e_g$  is the a-c gate voltage. From Ohm's law,

$$i_d = \frac{e_o}{R_d}$$

where  $e_o$  is the a-c output voltage and  $R_d$  is the drain load resistance (designated R3 in fig. 1). By substitution,

$$g_{fs} = \frac{e_o}{e_g R_d}$$

If  $e_g = 0.1$  volt and  $R_d = 1000$  ohms, the conditions under which this circuit operates, then

$$g_{fs} = \frac{e_o}{100} \text{ (mhos) or } 10,000 e_o \text{ (micromhos)}$$

across the output terminals reads 0.4 volt, the transconductance of the device under test is 4000 micromhos.\*

Potentiometer R4 is used to set the source bias and hence, the drain current of the fet. There is a wide variation in drain currents of individual transistors of the same type. The manufacturer usually specifies a normal operating drain current so it is helpful to monitor the drain current and set it to the desired value with R4. The milliammeter may be built into the tester or connected in series externally with the power supply.

Switch S1 reverses power-supply polarity so the power supply connections do not have to be reversed when changing from n- to p-channel devices. This switch also reverses the polarized source-bypass capacitor, C3. This capacitor is needed to prevent degeneration across R4 which would reduce the transconductance reading. If S1 is set to the wrong position no damage will occur to the transistor; the output reading will be zero, or very low. Reversing the switch position will result

in a substantially higher reading if the transistor is good. Thus, the tester will also indicate whether the fet is a p- or n-channel type. In addition to testing junction fets, the fet tester will also check *single-gate* depletion-type mosfets.

### construction

The fet tester may be built in, or on, virtually anything. I used an old plastic box; this permitted me to use ordinary 6-32 screws as input, output and power supply terminals without additional insulation. Lead length and physical layout are not at all critical; the tester can truly be built from junk-box parts.

Since there is absolutely no standard basing configuration for the many types of fets on the market the test socket may be wired according to personal preference. However, be sure to designate on the tester which pin is which so that you can insert the fet properly.

### external requirements

Although the voltage of the external power supply is not critical 18 volts has been specified for two reasons: 18 volts is high enough to keep the drain potential above the knee of the  $E_D$ - $I_D$  curve if the device under test draws sufficient drain current to cause an appreciable drop across  $R_3$ ; 18 volts is below the normal breakdown voltages specified for most transistors.

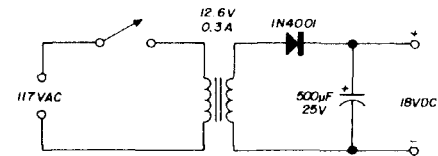


fig. 2. Suggested power supply for the fet tester.

The circuit for a suitable ac power supply is shown in fig. 2. This could be incorporated into the tester if desired. However, it is probably easier and cheaper to use two 9-volt transistor-radio bat-

teries. Since the current drain is intermittent and rarely exceeds 15 mA they should last their entire shelf life.

The audio oscillator must supply a reasonably good sine wave at 1 volt rms

table 1. Characteristics of popular field-effect transistors.

type	channel	base diagram	trans-conductance ( $\mu\text{mho}$ )*	$I_{DSS}$ (mA)
2N3823	N	1	3500-6500	4-20
2N4360	P	2	2000-8000	3-30
2N4416	N	1	4500-7500	5-15
2N5397	N	1	6000-10,000	10-30
2N5398	N	1	5500-10,000	5-40
E300	N	2	4500-9000	6-30
MPF102	N	3	2000-7500	2-20
MPF103	N	3	1000-5000	1-5
MPF104/2N5458	N	3	1500-5500	2-9
MPF105/2N5459	N	3	2000-6000	4-16
MPF106/2N5485	N	3	2500-6000	4-10
MPF107/2N5486	N	3	4000-8000	8-20
MPF108	N	3	2000-7500	0.5-24
MPF109	N	3	800-6000	0.5-24
TIS34/2N5248	N	4	3500-6500	4-20
TIS88/2N5245	N	5	4500-7500	5-15
TIXM12	P	2	5000-20,000	5-25
UC734	N	1	3500-6500	4-20

\*Transconductance at  $V_{GS} = 0$ .



into a high-impedance load. The frequency of 1000 Hz was selected because many manufacturers specify forward transconductance at that frequency. Actually, any audio frequency will serve, provided the capacitors in the circuit are increased proportionately if a lower frequency is used. For example, if you decide to use a 60-Hz source, the values of C1, C2 and C3 must be increased roughly by the ratio of the frequencies, 1000/60, or approximately 16 times.

### operation

Operating the fet tester is very simple. Connect the audio oscillator to the input terminals and set the audio voltage to exactly 1 volt. Connect the ac voltmeter (or oscilloscope) to the output terminals; if an external power supply is being used



connect it to the dc supply terminals. Set switch S1 to the position which corresponds to the fet to be tested — n or p channel.

Put the fet in the socket, being careful to match its leads to the socket pin designations. It should be noted that junction fets are symmetrical devices so drain and source leads can be interchanged with no difference in performance. The gate lead, however, must be in the proper socket hole.

To check a depletion-type mosfet be sure to keep all of its leads shorted together with a strand of wire before it is inserted or removed from the socket. Also, be certain that the bulk or substrate lead, which is generally common to the case, is properly connected.

Adjust R4 for the desired drain current and read the output voltage. Multiply by 10,000 and you have the forward transconductance in micromhos. If the output voltage is abnormally low, reverse the position of S1. If you still do not get a normal reading on the ac voltmeter, and the transistor is properly connected, the transistor is defective. Conversely, switch S1 may be used to determine whether the transistor is a p- or n-channel type. The switch position which results in the lower dc drain current indicates the type.

Table 1 lists some of the more common fets with their transconductance range, zero-bias drain current ( $I_{DSS}$ ) and biasing configuration. Note that the transconductance is specified at zero gate bias ( $V_{GS}$ ) which results in  $I_{DSS}$ . The higher the drain current, the higher the transconductance.

Although the fet tester will probably be used infrequently, as is true for any transistor or tube checker, the small amount of time, effort and money required to build it can pay off handsomely (just reread the first three paragraphs of this article).

#### reference

1. William I. Orr, W6SAI, "Radio Handbook," 18th edition, Editors and Engineers, New Augusta, Indiana, pages 624-629.

ham radio

## 2 Rigs in one!

### THE COMCRAFT CTR-144



MADE IN U.S.A.

## The First AM-FM Solid-State Transceiver For Two Meters

No longer is it necessary to choose between AM and FM on two meters. Now you can have both in one compact unit. Join the gang on the new FM repeaters yet still be able to "rag chew" with old friends either AM or FM anywhere in the two meter band.

### COMPARE THESE FEATURES

#### TRANSMITTER:

- Built-in VFO (Frequency converted for stability)
- AM and FM both crystal and VFO
- Four transmit crystal positions (8 MHz)
- 12 watt input AM and FM
- High level transmitter modulation on AM
- Bandpass coupled transmitter requiring only final tune and load
- Three internal transmit crystal sockets with trimmers for netting
- One transmitter crystal socket on the front panel
- Deviation limiting

#### RECEIVER:

- Double conversion
- Crystal controlled first conversion
- MOS FET receiver front-end
- Integrated circuit limiter and discriminator for FM
- Envelope detector and series gate noise clipper for AM
- Built-in squelch for both AM and FM

#### GENERAL:

- Separate transmitter and receiver tuning
- Built-in 115VAC power supply
- Direct 12VDC operation for mobile or portable operation
- Optional portable rechargeable snap-on battery pack available
- "S" Meter also used for transmitter tune up
- Military style glass epoxy circuit boards
- Anodized lettering and front panel
- Baked epoxy finish on the cabinet
- 47 transistors, 22 diodes, 1 integrated circuit
- Dimensions: 10 1/4" W x 6 1/4" H x 7 1/2" D

Warranty—90 Days Parts and Labor

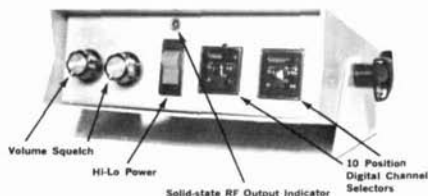
CTR-144 is available **FACTORY DIRECT**  
including 146.94 MHz crystal \$389.95



**COMCRAFT COMPANY**  
P.O. BOX 266—GOLETA, CALIF. 93017

Write for more information or  
use **CHECK-OFF**

# AT LAST THE DYCOMM 10-10 LAND MOBILE



**An American made FM Transceiver  
For the amateur who needs quality communications  
But at a price below the imports**

- 10 independent Receive-Transmit Channels  
.34, .82, .88, .94 Transmit — .76, .82, .88, .94 Receive supplied
- Full 20-30 watt output
- Frequency stability .001%  $-20^{\circ}$  to  $+60^{\circ}$ C
- $.3\mu$ V sensitivity for 20 db quieting
- All solid state
- Control Head 2" x 5" x 6" — Main Unit 2" x 10" x 11"
- Cabling supplied for trunk or other location mount
- FCC type accepted Receiver-Transmitter design

## DYCOMM MINI FM BOOSTERS

JUST INSERT BETWEEN YOUR ANTENNA AND TRANSCEIVER,  
ADD 12-14 VOLTS AND QSO  
ALL WITH AUTOMATIC RF SWITCHING

### 101-500C "FM BOOSTER"

4-12W input for  
12-30W Max output.

Size: 3" x 4" x 4" ..... Price **\$59.95**



### 101-500E "BRICK BOOSTER"

1-3.5W input for  
10-30W Max output.  
Typically 20W out  
for 2W in.

Low introductory price only **\$69.95**



### 101-500D "BLOCK BOOSTER"

8-15W input for  
20-55W Max output.

Size: 3" x 4" x 6" ..... Only **\$89.95**

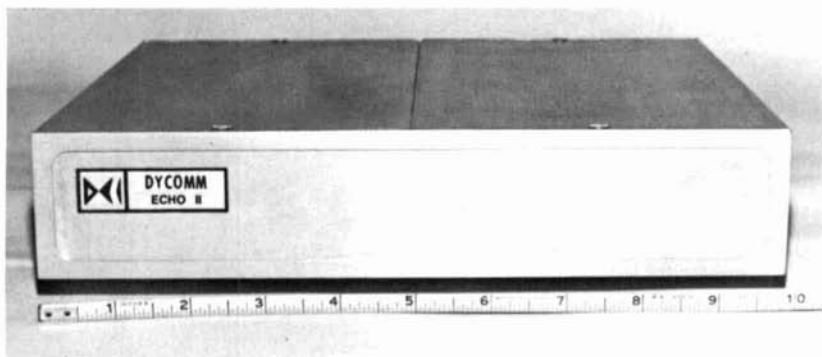


### 10-0 100 WATT FINAL

8-10W input for  
100W output.

Just **\$185.00**

WRITE TODAY FOR PRICE AND FULL DETAILS ON  
THESE DYCOMM PRODUCTS!



**DYCOMM  
ECHO II**

**... NEVER BEFORE ...**  
**a repeater designed specifically for amateur use.**

This compact little package contains a complete 2 meter FM solid-state repeater, including a receiver with useable sensitivity better than .2 microvolts and a transmitter with a guaranteed output of 12 watts (15 watts typical). We think this package is going to revolutionize amateur repeater installations. Look over the spec's and we are certain that you'll agree.

- Solid state — no relays
- Withstands most severe environment, fully weatherproof
- Multiple frequency operation — remote selection capability
- Protected against antenna short or open circuit or mismatch
- Deviation 5 kHz adjustable to 10 kHz
- Desensitization less than .25 microvolt at 200 kHz separation — negligible at 300 kHz
- Power 12-15 volt operation — 40 ma receive — 1.5A transmit
- Terminals provided for all necessary controls and monitoring

Call or write today for information  
on these exciting New Dycomm Products

JIM W4MRI

**DYNAMIC COMMUNICATIONS, INC.**

948 AVENUE E RIVIERA BEACH, FLORIDA 33404  
305-844-1323

# automatic frequency control for receiving RTTY

This circuit  
cures problems  
with drifting RTTY  
signals and is  
particularly useful  
with drift-prone  
receivers

The automatic frequency-control circuit described here is the result of trying to copy the Weather Bureau's RTTY station on 14.395 MHz with a not-so-stable communications receiver. After trying to stabilize the receiver so my ST-5 demodulator<sup>1</sup> would copy unattended for a reasonable length of time it began to look as though an afc system might be easier. The circuit in **fig. 1** is simple and uses low-cost integrated-circuit operational amplifiers and surplus 44-mH toroids.

## circuit operation

Since it's necessary to present a 2975 Hz tone to the 2975 tuned circuit in the demodulator, 2975 Hz looked like a good standard for frequency control. In this circuit U1 amplifies the 2975 Hz signal that is intermittently present during reception. A high input impedance prevents loading the demodulator tuned circuit.

The IC op amp is set for a gain of about 2.7; the output is coupled to a pair of tuned circuits. One of the circuits is tuned to about 150 Hz above 2975; the other is tuned about 150 Hz below. The rectified dc output voltages are opposite and cancel when the frequency is about midway (2975 Hz).

As the input frequency goes up the voltage goes negative; as the frequency goes down the circuit provides a more positive output. However, the voltage swing is not large enough for control purposes, so another op amp must be used as a dc amplifier. These amplifiers provide an output that swings from positive to negative with respect to ground, duplicating the polarity of the discriminator output. The output voltage from U2 is

E. R. Lamprecht, W5NPD, Route 3, Box 207, Victoria, Texas 77901

fed to a varactor or tuning diode installed in the receiver's tuning oscillator (fig. 2).

When the frequency drifts so the RTTY tone goes up, the discriminator output goes more negative; tuning diode

operating point properly; the bias control (R2) adjusts bias through the inverting input of U2. Because of the high resistance in the non-inverting input (pin 3) the necessary bias is slightly negative.

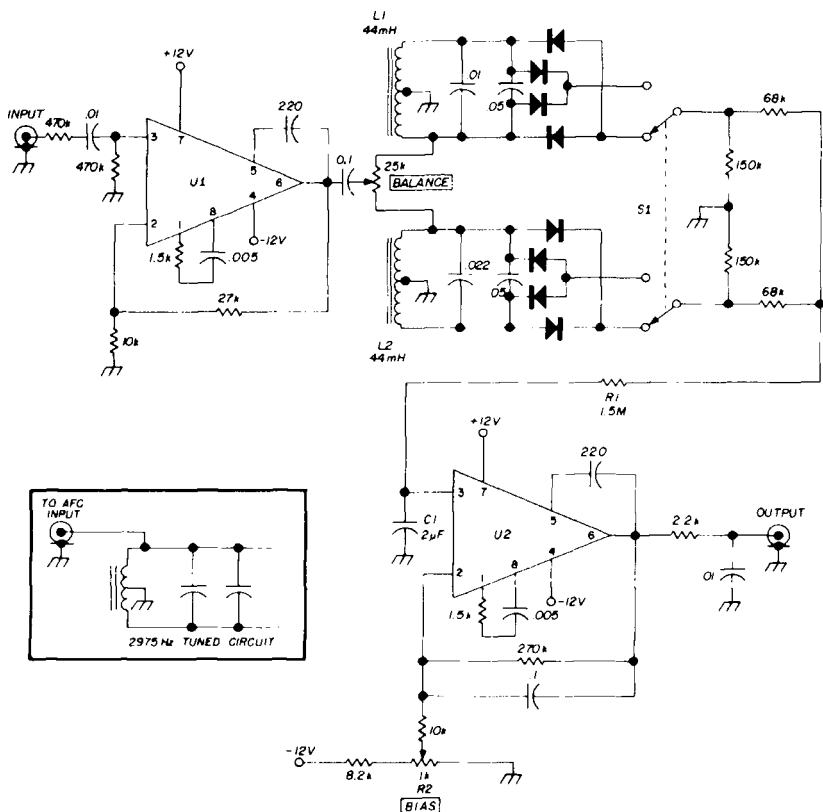


fig. 1. Circuit for the RTTY afc unit. Discriminator diodes are germanium types such as 1N34A. Integrated circuits U1 and U2 are 709 types: Motorola MC1709CG, TI SN72709L, Fairchild uL709C, etc. Inset shows 2975-Hz signal pickup in RTTY demodulator.

capacitance decreases, increasing the oscillator frequency to bring the audio tone back to 2975 Hz.

In most RTTY signals 2975 Hz is used as the mark tone. Therefore, it is present for a larger percentage of time than the space signal. Since the tone is constantly on and off a simple RC filter (R1, C1) presents a long time constant to the pulsating dc and smooths the output to prevent warble of the receiver audio.

The varactor must be biased to set its

Two units were tried; one required -0.4 V, the other, -0.35 V.

### initial setup

After a thorough wiring check connect the unit to the receiver and RTTY demodulator. (Power from the ST-5 plus and minus power supply may be used since total current drain is only 5 mA. If the unit is used with another demodulator or use any well filtered power supply, or batteries.)

The afc circuit is connected to the communications receiver through capacitor C2 (fig. 2); connect it to the cathode of the oscillator tube (or emitter of a transistor oscillator). Connections to high-impedance points in the oscillator circuit may result in large changes in dial

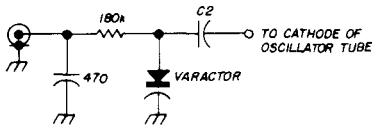


fig. 2. Varactor tuning circuit connects to the cathode of the oscillator tube. The varactor is not critical; it may be a silicon rectifier such as the 1N4383 or a small 20-pF voltage-variable diode. See text for selecting proper value for C2.

calibration. If this is necessary a very small value should be used at C2. Capacitance should be slightly less than that which causes a noticeable audio warble or chirp when a RTTY signal is received. A 5- or 10-pF capacitor is a good starting point.

### adjustment

For proper adjustment, connect a vtvm across the output jack and make the following adjustments:

1. Disconnect the input cable from the demodulator.
2. Adjust the *bias* control to -5 volts output.
3. Connect the demodulator to an accurate 2975-Hz tone.
4. Adjust the *balance* control to bring the output back to -5 volts.
5. Remove the 2975-Hz tone and connect the demodulator to the receiver.

When a RTTY signal is properly tuned the vtvm will read -5 volts. This reading will go up or down as you tune across the signal. The 10-volt scale makes a fine tuning indicator with -5 volts as zero

center. If you tune slowly the audio RTTY tones will remain nearly the same.

Depending on the relative positions of the bfo and the receiver oscillator it may be necessary to reverse S1. If the polarity is wrong for your receiver the afc unit will *prevent* you from tuning in a RTTY signal!

The voltage at either end of the 2975-Hz coil in the ST-5 demodulator is on the order of 12 volts peak-to-peak. When using another type of RTTY demodulator the input signal to U1 should be approximately at this level. This may be accomplished by lowering the resistance between pin 3, U1, and ground if the signal is too large. If the signal is too low the gain of the first op amp may be increased by increasing the value of the 27k feedback resistor between pins 6 and 2 of U1.

This afc unit has proven very useful in my station. It allows the use of an inexpensive receiver to monitor a RTTY station for long periods of time without retuning to compensate for receiver or transmitter drift.

### reference

1. Irving M. Hoff, W6FFC, "The Mainline ST-5 RTTY Demodulator," *ham radio*, September, 1970, page 14.

### ham radio



"Edward, you're fouling up the TV again!"

# How to get into top gear without paying top dollar:



## Run with the performance/value leaders — Heathkit SB-102 or HW-101 transceivers!

**Heathkit SB-102 SSB/CW Transceiver: \$389.95!** Full 80-10 meter coverage with unequaled stability and dial linearity thanks to the all solid-state Linear Master Oscillator with 1 kHz calibration. The SB-102 stabilizes itself in half the time, tracks more accurately than any other rig on the market! The new receiver section delivers an S+N/N ratio of less than 0.35  $\mu$ V for 10 dB. Front panel selection of built-in 2.1 kHz SSB crystal filter or optional 400 Hz crystal filter. And there's a dial resettable to 200 Hz; 180 watt PEP SSB input, 170 watts CW input; switch selection of upper or lower sideband and CW; built-in sidetone for monitoring; built-in 100 kHz crystal calibrator; Triple Action Level Control to reduce clipping and distortion; built-in VOX, and complete metering.

**Fast, easy assembly!** The incomparable SB-102 goes together with simple circuit board/wiring harness construction. Order your SB-102 today, and get on the air with the world's finest rig!

- Kit SB-102, 24 lbs., mailable ..... **389.95\***
- Kit SB-600, 8 ohm matching speaker with mounting space for AC supply, 7 lbs., mailable ..... **19.95\***
- SBA-301-2, 400 Hz CW crystal filter, 1 lb., mailable ..... **21.95\***
- Kit HP-23A, AC supply, 19 lbs., mailable ..... **51.95\***
- Kit HP-13A, DC supply, 7 lbs., mailable ..... **69.95\***
- SBA-100-1, mobile mount, 6 lbs., mailable ... **17.95\***

**Heathkit HW-101 80-10M Transceiver: 249.95!** Descended from the fantastically popular HW-100,

the HW-101 has even more features and it costs a nickel less! The new receiver has sensitivity better than 0.35  $\mu$ V for 10 dB S+N/N. Image and IF rejection are better than 50 dB. Ball-bearing dial drive, with 36-to-1 ratio, is coupled with a new preselector circuit and thermal stabilized FET VFO with 5 kHz readout for solid, drift-free tuning. And there's front panel selection of SSB or optional CW crystal filter, too! Order yourself a Heathkit HW-101 now and join a growing family on the air!

- Kit HW-101, 21 lbs., mailable ..... **249.95\***
- Kit HS-24, mobile speaker, 4 lbs., mailable... **8.95\***
- GH-12A, push-to-talk & VOX microphone, 1 lb., mailable ..... **9.95\***
- HDP-21A, grip-to-talk desk mike, 4 lbs., mailable ..... **32.95\***

HEATHKIT

HEATH COMPANY, Dept. 122-9  
Benton Harbor, Michigan 49022

**Schlumberger**

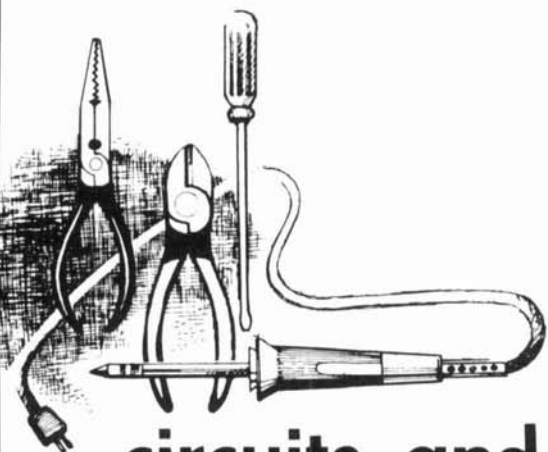
- Enclosed is \$ \_\_\_\_\_, plus shipping
- Please send FREE Heathkit Catalog.

Name \_\_\_\_\_

Address \_\_\_\_\_

City \_\_\_\_\_ State \_\_\_\_\_ Zip \_\_\_\_\_

Prices & specifications subject to change without notice.  
\*Mail order prices; F.O.B. factory. AM-251R



# circuits and techniques

ed noll, W3FQJ

## phase-locked loops

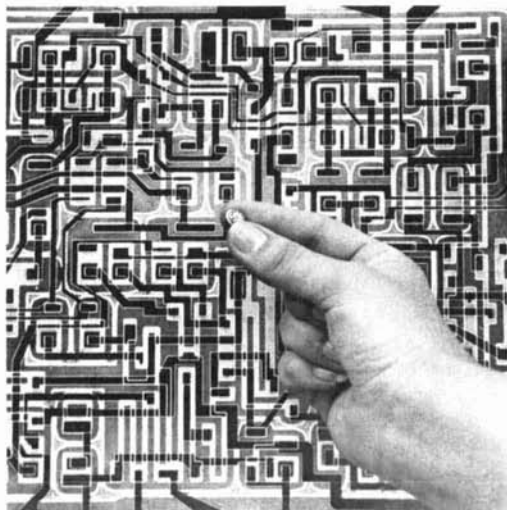
Do you wish that your local oscillator would hold precisely on frequency after you have tuned in an a-m, fm or fsk signal? How would you like to automatically track an incoming signal that drifts in frequency? How would you like to demodulate that signal even though it is plastered with noise? For an affirmative answer to any of these questions you must enter the realm of the phase-locked loop. A fine discussion of the basic theory of this circuit was presented recently by VE5FP.<sup>1</sup>

Although the phase-locked loop concept has been around since the early 1930s its high complexity has limited its use to specialized applications in expensive military and avionics equipment. For an idea of the complexity of this circuit consider an amateur radio version of the phase-locked loop described by W2CRR and W0AHN<sup>2</sup> that used a total of 16 vacuum-tube stages or VE5FP's solid-state phase-locked oscillator that uses 7 transistors plus a large quantity of re-

sistors, capacitors and inductors. It's no wonder that this versatile circuit has seen little application in amateur radio equipment.

The integrated-circuit versions of the phase-lock loop are as complex as their discrete component counterparts. The Signetics NE560 for example, the first phase-locked loop IC, contains no less than 25 transistors, 7 diodes and 27 resistors. With this device it is possible to build high performance fm detectors, RTTY demodulators, signal-tracking filters, stable local oscillators, frequency synthesizers and frequency multipliers as well as more complex systems. Additional components included in its sister unit, the Signetics NE561B, provide capability for operation as a frequency-selective (coherent) a-m detector. These monolithic phase-locked loops have a frequency range from 1 hertz to 15 MHz without the need for tuned circuits.

Signetics integrated-circuit IC is dot at the center of the package held here in the fingers. Background is greatly magnified photograph of the circuit as it would appear through a microscope.





## applications

There are several applications for phase-locked loop ICs in amateur communications receivers. They can be used as small efficient synchronous a-m detectors with excellent linearity and noise

fm demodulator, the phase-locked loop IC may be your answer; it is an efficient demodulator that will accommodate any i-f frequency up to 15 MHz. (A multimode i-f system for fm, a-m and ssb which is designed around the Signetics NE560 is

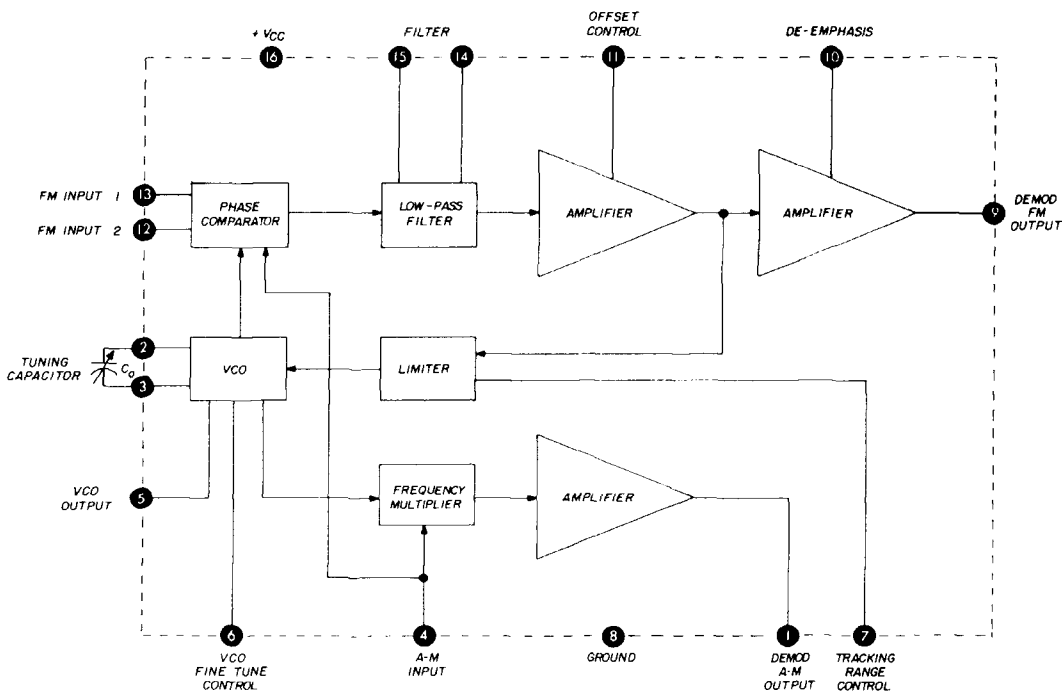


fig. 1. Block diagram of the Signetics NE561B phase-locked loop integrated circuit.

immunity. Can they make vhf-uhf a-m DXing a more realistic endeavor? How about tuning in and holding a-m signals on bands crowded with other signals? I'll soon be checking one out on 160 meters.

For fm the phase-locked loop IC may be used in compact i-f, limiter and demodulation systems. The IC's wide frequency range and no-tuning characteristic are especially attractive in receiver designs that use more than one i-f frequency.

How about a direct-conversion fm receiver? For 10-meter operation this is probably possible today using off-the-shelf phase-locked loop ICs. If you already have a high-quality communications receiver to which you would like to add an

described by WA2IKL on page 39 of this issue).

Application of the phase-locked loop concept will also provide a stable vfo or frequency synthesizer for amateur fm operation. The phase-locked loop can also be used to advantage in an a-m receiver that will hold precisely on a net frequency and still follow those stations that just can't seem to find the right spot.

In addition, the phase-locked loop IC operates well as a frequency multiplier or a frequency divider. With a stable crystal reference oscillator or vfo, the vco in the IC can be operated on a harmonic or sub-harmonic of the reference frequency. These capabilities encourage the design of

versatile frequency calibrators and high-stability multiband vfos.

## phase-locked loop ic

A block diagram of the Signetics NE561B phase-locked loop IC is shown in fig. 1. An incoming fm signal is applied to the phase comparator through pins 12 and 13. A reference signal from the voltage-controlled oscillator is applied internally. The vco frequency is adjusted externally with a variable capacitor between pins 2 and 3, or with a dc control voltage connected to pin 6. The vco output is available at pin 5.

The output of the phase comparator is applied to a low-pass filter. The filter characteristics are controlled with an external network connected between pins 14 and 15. A two-stage amplifier follows the low-pass filter. The de-emphasis characteristic is set with a capacitor from pin 10 to ground. The demodulated fm output is available at pin 9.

The dc error voltage at the output of the first amplifier is applied to the limiter. This filtered error voltage is applied to the vco, causing it to phase lock to the incoming signal. When the incoming fm signal deviates in frequency with modulation the error voltage developed at the output of the phase comparator corresponds to the demodulated output.

When a phase-locked loop locks on an fsk signal the error voltage from the phase comparator is in discrete voltage steps that correspond to mark and space, or the digital 1 and 0.

A-m demodulation (coherent detection) circuit operation uses all the fm demodulation circuits *plus* a multiplier which functions as a mixing-type a-m demodulator. The incoming a-m signal is applied to the mixer input at pin 4. The IC locks on the a-m carrier frequency; in fact, the output of the vco is the same frequency as the carrier but without modulation.

The vco signal is also applied to the multiplier. A low-pass filter at the output of the multiplier cancels the rf carrier and

sideband components and produces a difference signal corresponding to the a-m modulation. This system of demodulation is referred to as phase-lock a-m detection. It is much less subject to noise than conventional a-m detectors.

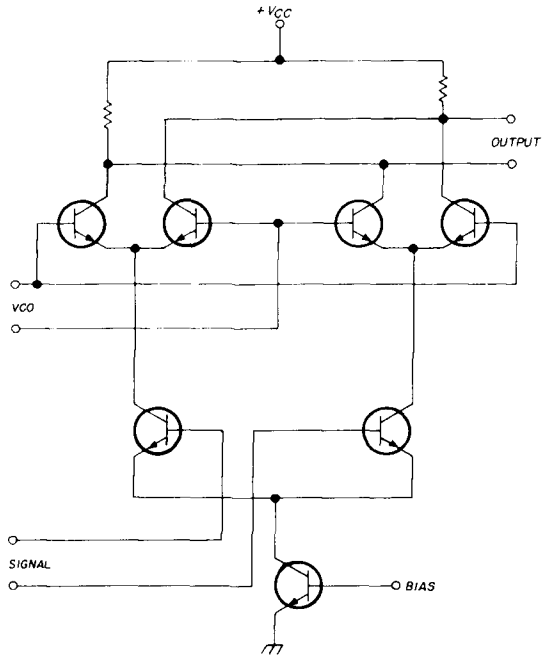


fig. 2. Basic phase comparator and multiplier circuits use differential transistor arrangement.

## phase comparator

A simplified phase detector that is very similar to the one used in the NE561B is shown in fig. 2. This is the same differential amplifier I've described in previous *circuits and techniques*. Connect two differential amplifiers in a balanced arrangement and you come up with a balanced modulator, balanced demodulator or balanced mixer. The vco output is connected to the bases of the differential pairs; the signal is applied base-to-base of the emitter input transistors.

When the vco and input voltage are phase locked to the same frequency the output voltage is zero. An error voltage develops when the signal drifts off. In the

case of fm demodulation the recovered error voltage is actually the demodulated fm wave.

The a-m demodulator uses the same basic balanced differential arrangement as the phase comparator. The vco output is

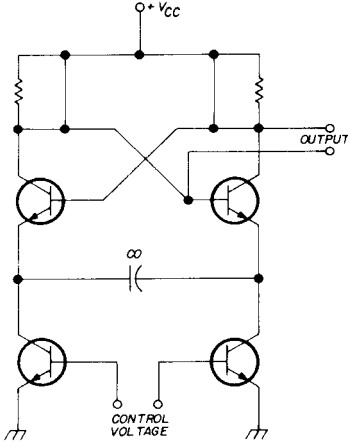


fig. 3. Voltage-controlled oscillator is a multivibrator. Basic frequency is controlled by capacitor connected between the emitters; fine tuning is provided by voltage that controls emitter current.

applied to the bases of the differential pairs; the rf a-m signal is introduced through the insert transistors in the emitter circuit. The phase comparator is also used in the a-m demodulation system to phase-lock the vco to the carrier frequency. The difference frequency out of the differential multiplier circuit (fig. 2) corresponds to the frequency separation between the sidebands and carrier of the a-m signal, hence the circuit reproduces the original audio modulation.

### VCO

The voltage-controlled oscillator is an emitter-coupled multivibrator similar to the circuit shown in fig. 3. The external timing or tuning capacitor is connected between the emitters of the multivibrator transistors. At any instant of time one of the transistors is turned on and the other is off. The timing capacitor is alternately

charged and discharged by the voltage-controlled current source in the emitter circuit. The control voltage can be in the form of a dc error voltage from the phase comparator through the limiter, or an external control voltage may be introduced.

### practical circuits

The circuit in fig. 4 shows how the Signetics NE561B may be used as an fm detector. The fm input signal is connected to pin 12 and 13; audio output appears across the 15k load resistor connected to pin 9. The capacitor between pin 10 and ground establishes the proper de-emphasis.

The capacitor between pins 2 and 3 determines the frequency of the voltage-controlled oscillator. Typical capacitor values for intermediate frequencies of 4.5 and 10.7 MHz are given in fig. 4. For fine tuning a small capacitor may be placed in parallel with  $C_o$  ( $C_x$  in fig. 4) or a small variable voltage may be applied to pin 6. This can be in the form of a potentiometer connected across the power sup-

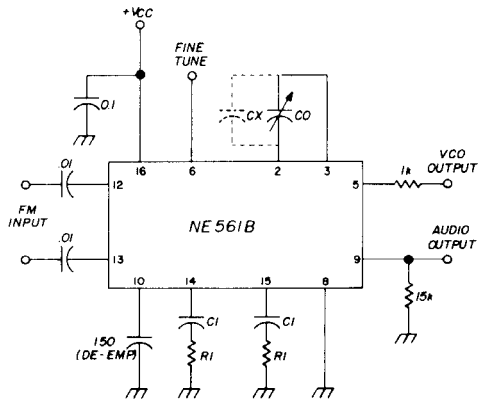


fig. 4. Use of the phase-locked loop IC as an fm detector.

ply. The low-pass loop filter components are connected between pins 14 and 15. Component values, which depend on the i-f frequency, are shown.

The frequency range over which the vco will track the signal frequency can be

altered by applying appropriate dc control voltages to pin 7 from an external and adjustable supply voltage source. In some specialized application it may be necessary to offset an internal dc com-

synchronous demodulation is established by an external 90° RC phase-shift network. These components,  $R_A C_A$  and  $R_B C_B$  in fig. 5, must satisfy the time-constant formula

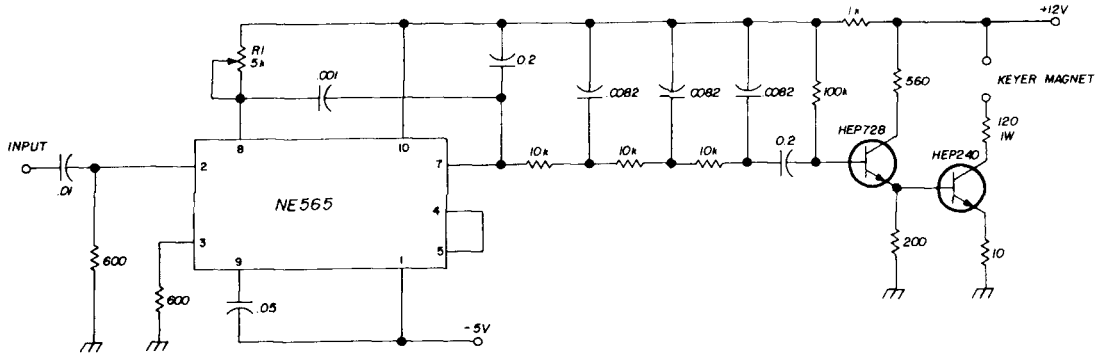


fig. 6. Phase-locked RTTY demodulator requires no bandpass filters.  $R_1$  is adjusted so internal vco frequency is at same frequency as input.

ponent. This can be done with an external voltage source applied to pin 11.

The same IC is setup for synchronous a-m detection in fig. 5. Note that the vco, phase discriminator and low-pass filter stages are active as they were for fm demodulation. However, the multiplier circuit is also necessary for synchronous a-m detection.

In the a-m detection process the phase-lock loop is locked to the signal carrier frequency and the vco output serves as the local oscillator signal. The appropriate quadrature relationship for

$$R_A C_A = R_B C_B = \frac{1}{2\pi f_0}$$

Where  $f_0$  is the operating frequency. The values in fig. 5 were selected for the a-m broadcast band (1.5 MHz). In this circuit the 250-pF capacitor between pins 2 and 3 tunes the IC across the broadcast band; the low-pass filter components are suitable for broadcast-band operation.

A less complex integrated-circuit phase-locked loop such as the Signetics NE565 can be operated as an RTTY demodulator without the use of bandpass filters. This IC consists of a phase detector, amplifier and voltage-controlled oscillator. Range extends between a fraction of a cycle to 500 kHz.

In the fsk demodulator circuit in fig. 6 the incoming frequency-shift signal moves rapidly between the mark and space frequencies. As it does the phase-lock loop locks on to the input signal, moving from one input frequency to the other, with a corresponding dc voltage shift at the output. The simple RC filter across the output is designed to remove frequency components between the maximum keying rate and twice the maximum input frequency. The filter components in fig. 6 were chosen for amateur opera-

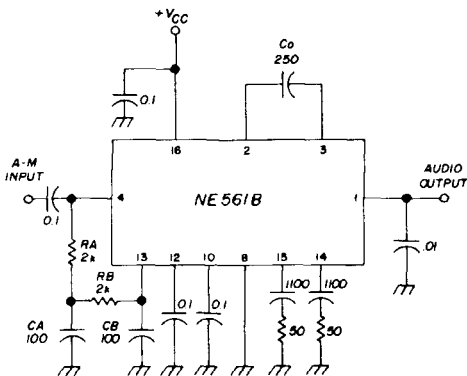


fig. 5. Synchronous a-m detector circuit. Component values shown here were selected for broadcast band (1.5 MHz).

tion (100 wpm maximum) with a 455-kHz i-f strip.

### multi-ic loops

An integrated-circuit phase-locked loop does not have to be confined to a

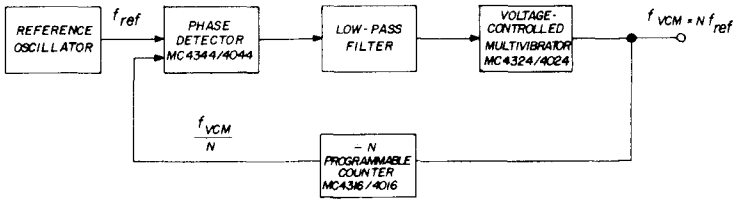


fig. 7. Frequency synthesizer uses programmable divide-by-N counter within the phase-locked loop. Typical Motorola ICs for this circuit are shown.

single IC. There are a variety of special-purpose ICs that can be combined into phase-lock systems and tailored for specific applications. For example phase-detector ICs such as the Motorola MC4344/4044 and voltage-controlled multivibrators such as the Motorola MC4324/4024 can be combined with a low-pass filter to form a simple phase-locked loop.

A system of separate integrated circuits is especially attractive for building complex circuits such as a frequency synthesizer. A typical arrangement is shown in fig. 7. With a programmable counter in the loop the system can be programmed to provide practically any output frequencies. The output signal is phase locked to a stable reference oscillator so output stability is essentially that of a crystal oscillator.

In the circuit of fig. 7 the reference oscillator signal is compared to the signal from the programmable counter. The input to the programmable counter comes from a vco which is controlled by the error voltage from the phase detector. With a 1-MHz reference oscillator and a divide-by-2 counter, the output signal is 2 MHz. With a divide-by-3 counter the output is 3 MHz; divide-by-10 counter, 10-MHz output, etc. By placing a divide-by-N counter (where N is any number) in the loop you can build a frequency synthesizer which will provide any desired output frequency.<sup>3</sup>

### army loop antenna — revisited

A simple method of tuning the ends of a small resonant-loop antenna has been evolved by James E. Taylor.<sup>1,2</sup> This technique, shown in fig. 8, eliminates lossy

loading-coil arrangements. Maximum horizontal length for operation on 80 meters is 20 to 25 feet. Although Taylor used RG-8/U cable for his antenna any large diameter conductor is satisfactory.

The capacitive element in fig. 8 consists of 300-ohm twin-lead. Note that the ends of the resonant loop connect to opposite conductors of the twin-lead. The loop is resonated by clipping even amounts off each end of the twin-lead. (Shortening the twin-lead lowers its capacitance, raising the frequency of the resonant loop.) The large capacitor across the feedline provides proper matching.

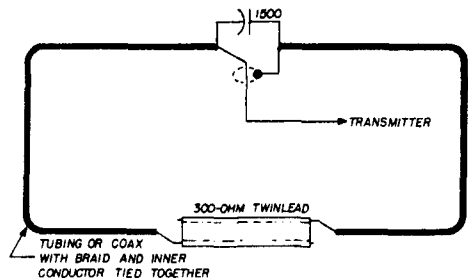


fig. 8. Balanced Taylor-loop antenna.

### linear transistor amplifier

Despite the popularity of high-frequency ssb transmission there have been few bipolar transistors designed specifically for linear operation at higher power levels; most of the rf power transistors

has been designed for class-C operation. However, the new RCA 2N6093 is designed specifically for class-AB linear operation. A single 2N6093 can provide 75 watts PEP output at 30 MHz; a push-pull amplifier with two devices is capable of 150 watts PEP from 2 through

at the required dc operating levels. The device uses special subdividing of the emitter and an appropriate resistive ballast. This added resistance improves stabilization and permits low distortion operation.

Included within the transistor package

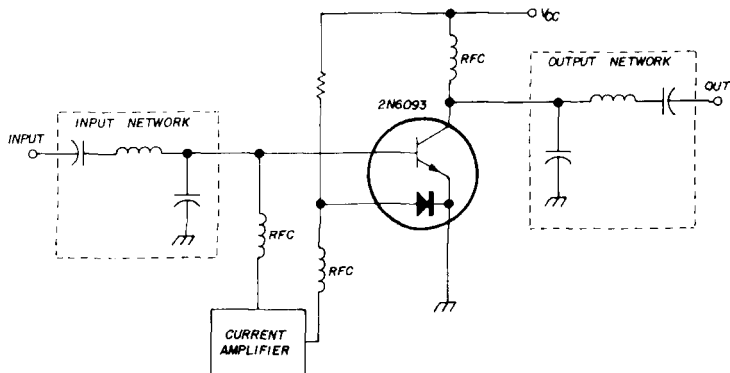


fig. 9. Basic rf linear amplifier circuit for new high-power linear rf transistor.

30 MHz.

To provide operation in class B or AB the bipolar transistor must be slightly forward biased. Unfortunately, this biasing increases the possibility of destroying the transistor because of secondary breakdown. However, the new 2N6093 transistor can be operated safely

is a temperature-sensing diode for bias compensation and run-away protection. This diode insures that the forward bias varies with temperature in the same manner as the base-emitter voltage of the transistor. An external current amplifier is required to build the diode sensing signal up to a usable level.

#### references

1. J. A. Koehler, VE5FP, "Phase Locked-Local Oscillator," *ham radio*, March, 1971, page 6.
2. John K. Webb, W0AHM, "A Synchronous Adapter for Communications Receivers," *CQ*, June, 1957, page 30.
3. L. W. Danz, WA5SKM, "Frequency Synthesis," *ham radio*, December, 1969, page 42.
4. F. M. Gardner, "Phase Lock Techniques," John Wiley and Sons, New York, 1966.
5. Larry Steckler, "One IC replaces entire i-f strip," *Radio-Electronics*, November, 1970, page 59.
6. "General Description of the NE560B/561B Phase Locked Loops," Signetics Applications Memo."
7. J. Mattis and H. Camenzind, "A New phase-locked loop with high stability and accuracy (SE/NE565)," Signetics Applications Memo.
8. G. Nash, "Phase-Locked Loop design fundamentals," Motorola Applications Note AN-535, 1970.
9. E. Renschler and B. Welling, "An Integrated

- Circuit Phase-Locked Loop Digital Frequency Synthesizer," Motorola Applications Note AN-463, 1969.
  10. J. DeLaune, "MTTL and MECL Avionics Digital Frequency Synthesizer," Motorola Applications Note AN532, 1970.
  11. Alan B. Grebene, "The Monolithic Phase-Locked Loop — a Versatile Building Block," *IEEE Spectrum*, March, 1971, page 38.
  12. James E. Taylor, "Twin-lead Tunes Fore-shortened Balanced Loop Antenna," *Electronics*, April 12, 1971, page 88.
  13. I. Chang, A. Locke, "Use of the RCA 2N6093 HF Power Transistor in Linear Applications," RCA Application Note AN-4591.
- \*Signetics Applications memos are available from Signetics Corporation, 811 East Arques Avenue, Sunnyvale, California 94086. Motorola Applications Notes are available from Motorola Semiconductor Products, Technical Information Center, Box 20912, Phoenix, Arizona 85036.

ham radio



# Standard's New High Flying "826"

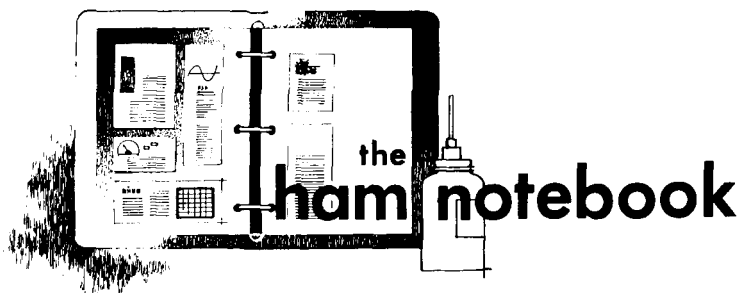
Standard Communications, the world's largest manufacturer of VHF marine equipment, has developed a professional quality VHF/FM 2 meter transceiver especially for amateur use. The "826" is so compact that it makes mobile installations practical in almost any airplane, boat or car, and it becomes fully portable with Standard's battery pack. When used in conjunction with the AC power accessory, it also makes an ideal, low cost base station unit. Enjoy the fun of amateur radio communication wherever you go for just \$339.95.



**STANDARD  
COMMUNICATIONS CORP.**

P.O. Box 325, Wilmington,  
Calif. 90744 (213) 775-6284

The world's largest manufacturer of marine VHF equipment.



## relay activator

Occasionally, ssb exciter or transceiver relay contacts give trouble when they turn on a relay in a linear amplifier. This is part of the vox or push-to-talk system; any hang-up can be very irritating.

Some older ideas like placing an 0.5  $\mu\text{F}$  capacitor in series with possibly 470 ohms, across the relay line between the exciter and the amplifier, may help. However, the cost of doing the job with a transistor is small, leaving the relay contacts with little current to handle.

If your amplifier is similar to the Henry 2K, which provides 14 to 18 volts to its relay, and requires less than 300 mA to activate it, this method will work.

Fig. 1 shows the simple circuit. The pnp transistor can be replaced with an npn if the linear provides negative instead of positive voltage to its relay phono jack. Some problems were encountered in locating a suitable transistor that would operate by shorting its base, through a resistor, to ground, in order to activate the amplifier relay, without tending to have the collector current creep toward a destructive value. However, the little 2N4918 30-watt pnp from Motorola (\$1.65) does the job very well. It has a hole permitting it to be fastened to the inside of the minibox as a heat sink — but does not seem to get warm. Since the collector is grounded no insulation is

needed between the 2N4918 and the box. This device is rated at some 40 volts; for other voltages, see adjacent type numbers (2N919, 60 volts; 2N4920, 80 volts).

The addition of a 1N2070 diode, with 400 volts inverse breakdown rating, provides protection from inductive surges from the relay coil. It was not installed initially; no problems were encountered without it. Presumably, some handy diode will be available to use as a substitute, if desired.

The base resistor worked with up to 5.6k ohms but, above that, the amplifier relay did not get enough current to pull in. Values as low as 1.5k ohms performed equally well but with slightly higher base current to be handled by the exciter relay contacts. There was no sign of creeping collector current. Using 4.2k ohms, the

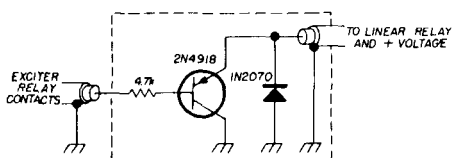


fig. 1. Relay activator operates linear amplifier relay with little current on exciter relay contacts.

transistor handled 300 mA for the amplifier relay, and required only 8 mA on the contacts of the exciter relay.

Much higher current than 300 mA probably can be handled by the 2N4918,



in which case the base resistor can be increased in order to limit the base current which will have to be handled by the exciter relay contacts. Similarly, some Henry 2K relays require only 250 mA; any relay coil requiring less than 300 mA will require a smaller base resistor for satisfactory operation.

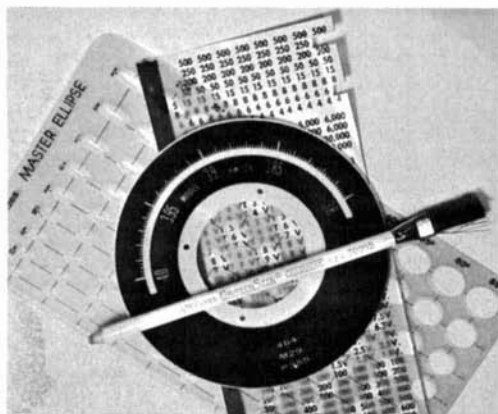
Some interesting variations of the circuit in **fig. 1** may be possible if an additional driving transistor is tolerated.

Bill Conklin, K6KA

## putting the HW-12 on MARS

The Heathkit HW-12A ssb transceiver can be modified easily for use on the 4-MHz Navy MARS frequencies without any electrical changes. Operation on Navy MARS requires a frequency range up to about 4050 kHz. In the HW-12A this is accomplished by changing the tuning range from the original 3800 to 4000 kHz to 3850 to 4050 kHz. This is done by re-adjusting vfo coil, L5, and the vfo

the new frequency range the driver grid coil, L2 (40-516) and the driver plate coil, L3 (40-513) must be unsealed. Peak the top slug of L2 at 4000 kHz and the bottom slug of L2 at 3900 kHz; L3 is peaked at 3950 kHz. Depending on component tolerance, you may have to change one of the two fixed-value power-amplifier tuning capacitors (C206 and C207) from 68 to 47 pF.



HW-12A dial-conversion kit.



Heathkit HW-12A with new MARS dial.

trimmer capacitor so the vfo tunes from 1.5433 to 1.7433 MHz (original vfo frequency range is 1.4933 to 1.6967 MHz).

To improve the vfo output level across

As a final touch, to maintain appearance and provide direct frequency read-out, the vfo dial is modified. A very professional appearance can be obtained by erasing the existing dial numbers with an ink eraser, using an ellipse template as an erasing guide. A fine-tipped eraser pencil works best (see photo). The black areas are easily removed from the white plastic dial. Black decals are then applied inside the erased areas at 3850, 3900, 3950, 4000 and 4050. A touch of clear plastic model paint over the decals completes the job.

I have had excellent results throughout the 4th Naval District with the modified HW-12A and a dipole antenna. The dipole consists of approximately 108 feet number-16 insulated wire, twisted around nylon sash cord for strength. It is centered with a 1:1 balun and RG-8/U coaxial cable; vswr at 4 MHz is 1.15:1.

David M. Stahley, K8AUH

## crystal-controlled frequency markers

A simple frequency marker for your sweep generator can be built from several surplus crystals. Piezoelectric crystals function as highly-selective notch filters when placed in shunt with an rf signal, and have been used successfully in the grid and plate circuits of fm repeater receivers to short unwanted frequency components to ground.

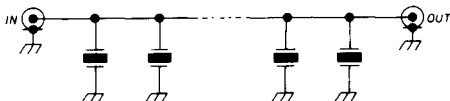


fig. 2. Simple crystal-controlled frequency marker uses shunting characteristics of quartz crystals.

The crystal frequency marker unit in fig. 2 consists of several parallel-connected crystals mounted in a minibox. The output of the sweep generator is passed through the device to the circuit under test. Since energy at the resonant frequency of each crystal is shunted to ground, there is a suck-out for each of the crystals used in the circuit. In addition, if the crystals are overtone types, frequency markers are also shown at the harmonic frequencies.

The small amount of capacitance contributed by the circuit in fig. 1 tends to shunt the rf signal more and more as the sweep signal increases in frequency. This appears as a slight negative slope on the oscilloscope display.

Earnest A Franke, WA4ADK

## high-voltage step-start circuit

Fig. 3 shows a fail-safe step-start circuit for the primary of high-voltage power supplies that is simple and effective, having been used for many years in various applications. With the present trend to higher and higher capacitances in power supplies this start circuit it a

simple precaution to extend the life of diodes and filter capacitors by reducing the initial surge charging current.

Furthermore, in the case of an overload, which may not react to other protective circuits, this step-start circuit will revert to its initial state, thereby providing a measure of protection. With appropriate connections this circuit may be used with either 120 or 240 volts ac.

Relay K1 is the contactor normally used to energize the high-voltage primary winding. As it closes a voltage drop will occur across R1. This voltage drop is adjusted to suit the requirements of the power supply. The voltage drop across R1 diminishes after the initial surge, and relay K2 is energized, shorting out R1. On a 240-volt system K2 may be connected to the center-tap of the power transformer, or to the neutral.

Marv Gonsior, W6VFR

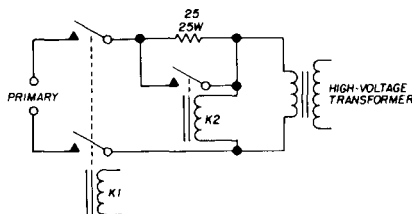


fig. 3. High-voltage step-start circuit.

## rotator improvement

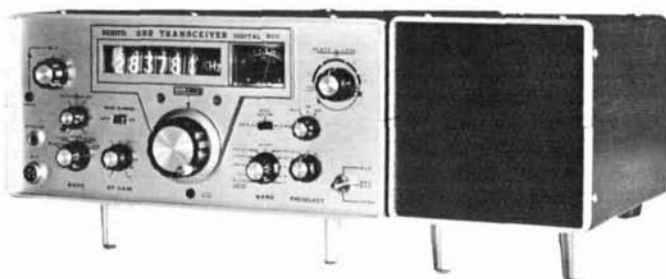
If you have an Alliance T-45 rotator (or similar non-automatic rotator) a simple circuit modification will eliminate the tiresome task of holding down the control bar with your finger. Just install a dpdt switch, with center off, in parallel with the contacts on the control-box switch. Switch mounting is a bit of a problem since there isn't room enough in the T-45 control-box to accommodate the new dpdt switch. For my control box I put the added switch in a small metal file box complete with direction labels (clockwise and counter-clockwise). Now I have one hand free for tuning the rig while I run the antenna around.

Ed Mitchell, WA0VAM

# ROBYN

brings you  
the exciting new

## MODEL 500 DIGITAL READOUT Transceiver



- Full 5 Band Coverage — 80-10 Meters
- 500 Watts PEP
- Digital Readout to  $\pm 100$  Hz.  
(6 digits not just 4)
- Advanced Circuitry includes:  
30 IC's, 49 Transistors, 6 FET's, 1 SCR, & 42 Diodes  
6 Tubes including 2 6KD6's in PA

**Only \$895<sup>00</sup>** includes AC power supply and speaker  
and hand held dynamic microphone.

12VDC Power Supply available at extra cost.

DISTRIBUTOR INQUIRIES INVITED

MANY GOOD TERRITORIES AVAILABLE

## ROBYN INTERNATIONAL

269 Northland Drive, P.O. Box 478

Rockford, Michigan 49341

Telephone (616) 866-1589

ROBYN INTERNATIONAL  
P.O. Box 478  
Rockford, Michigan 49341

Sounds great! Rush me more information on the

- ROBYN MODEL 500 DIGITAL TRANSCEIVER
- ROBYN SCANNER RECEIVER
- ROBYN CB TRANSCEIVERS

Name .....

Address .....

City ..... State ..... Zip .....

I am a dealer; wish more information

# new products

## ST-6 RTTY demodulator



HAL Devices now offers a standard wired ST-6 RTTY Terminal Unit. The unit is enclosed in a very attractive cabinet with all control and connector functions clearly labeled. Because of the standardization required to produce the silk-screen from which all front and rear panels are labeled and drilled, wired units are available *only* in the maximum feature configuration for both shifts with autostart and anti-space. An additional feature of all wired units is the inclusion of meter-switching to allow use of the meter for both a tuning indication and to indicate loop current.

The cabinets are 3½" high x 17" wide x 12" deep and are available in rack-mounted or table-top configurations. The top and bottom panels of the cabinet are easily removable for access to the circuit boards and other components. These units are wired by skilled professional

personnel, and all tuned circuits are aligned with an electronic counter to a tolerance of 5 Hz for the 850-Hz shift circuits and 3 Hz for the 170-Hz circuits. All adjustments are pre-set at the factory and all modes and features of each unit are tested in actual operation, receiving and printing RTTY signals.

All wired HAL Devices products carry a 1 year warranty against defects in materials and workmanship. The wired ST-6 is priced at \$280.00 plus postage; shipping weight is approximately 23 pounds. When ordering be sure to specify which cabinet style, rack or table-top, is preferred and include sufficient remittance to cover postage and insurance. Limited staff time at HAL Devices as well as the great care (and therefore time) taken in the construction of each unit means that delivery times will be long, and at least 1 month should be allowed for each wired ST-6 ordered. Wired units are constructed on an as-received basis, the earliest orders being processed and constructed first. HAL Devices will acknowledge receipt of all orders for wired units and will indicate the projected delivery date at that time.

HAL Devices also offers ST-6 parts kits for the amateur who wants to build his own. To order, write to HAL Devices, Post Office Box 365, Urbana, Illinois 61801. For more information, use *check-off* on page 94.

## digital frequency meter

The Micro-Z FM-36 frequency meter includes all of the features that have made the FM-6 so popular — high quality and accuracy, ease of assembly, guaranteed operation, small size and cost — plus the added convenience of a third digit to simplify switching and readout.

This instrument is useful in the service shop for calibrating audio and rf signal generators or testing transmitter and receiver oscillators and multipliers. Simply connect the FM-36 to the output of your transmitter with the coax T-connector supplied, and your frequency is measured and displayed whenever you are on the air. In addition, a companion prescaler is available for vhf operation.

The FM-36 operates from audio frequencies through 35 MHz with input signals from 0.4 to over 200 volts. The circuit is completely self-contained with a 117-Vac power supply. The FM-36, factory assembled and tested, is \$164.50. The FM-36 kit, including all parts and detailed assembly instructions, is \$134.50 from Micro-Z Electronic Systems, Box 2426, Rolling Hills, California 90274. For more information use *check-off* on page 94.

## cordless electric soldering iron

The new cordless electric soldering iron offered by the Technical Equipment Company provides an output of 40 watts with a heavy-duty 10 amp-hour NiCad battery. The Express 2000 features instant heat, negligible magnetic field, two interchangeable tips (25- and 40-watt), complete portability, and is solid-state-device proof — battery operation assures complete electrical isolation.

The Express 2000 cordless soldering iron has an operating voltage of 1.25 Vdc. This is furnished by the rechargeable battery. Each single charge of the battery provides 120 soldering operations; a full recharge takes 14 hours. The useful life of the battery is 3000 recharge operations. The soldering tips are chrome nickel steel with pure nickel points. Accessories include a 110 Vac charger, 110/220 Vac charger and recharge case with battery. For more information use *check-off* on page 94, or write to Technical Equipment Company, Post Office Box 247, Bothell, Washington 98011.

# 2 METER FM



### Standard's SR-C826M Transceiver

- 12 Channels (4 supplied)
- 10 watt power output
- Hot MOSFET receiver front end
- Low drain—all silicon semiconductors
- Full 6 month warranty

Complete, ready-to-go! Connect power and antenna and you're on the air! **Only \$339.95**

**NEW!** 25W. 851SH ... only **\$449.95**  
3W./6 channel 811SH **199.95**

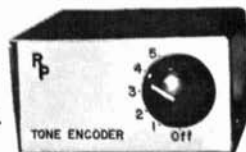
Send QSL or circle number for detailed brochure

## ERICKSON COMMUNICATIONS

4657 North Ravenswood Avenue  
Chicago, Ill. 60640 (312) 334-3200  
a division of Carl E. Erickson Co.

## NEW from **RP** TONE BURST ENCODERS

- UP to 5 fixed tones (factory set)
- ADJUSTABLE:
  - Duration
  - Output
- NO BATTERIES needed.
- FULLY ADAPTABLE
- EASY INSTALLATION
- CONTINUOUS TONE POSSIBLE
- FULL 1 YEAR RP Warranty



### Prices: MODEL TB-5

5 tone (std.) .....\$37.50  
2 tone .....\$32.50

Special tones — inquire  
(Ill. residents add 5% tax)

FREE SPEC SHEETS  
NOW AVAILABLE

**RP Electronics**  
BOX 1201H  
CHAMPAIGN, ILL.  
61820

## UNIVERSAL Aluminum Towers are GREAT !

\* Strong \* Lightweight \* Easy to assemble \* Rust-Free (less maintenance) \* Self-Supporting Models are available from 30 - 90 feet with a choice of wind loads to meet your specific needs. Write us for literature. Shown here is a Model 18-50 (18 sq. ft. wind load - 50 ft. high) installed at Ted Willett's house (W9NHE), our Print Shop Manager. AMATEUR ELECTRONIC SUPPLY can recommend the proper UNIVERSAL TOWER to fit your particular needs.

# AMATEUR ELECTRONIC SUPPLY

4828 West Fond du Lac Ave. Milwaukee, Wis. 53216

Phone (414) 442-4200

## fiberglass mobile antennas

The new Shakespeare fiberglass antennas are a breakthrough in the design of mobile radio antennas. Two models are available: the style 456 for low-band, 25 to 57 MHz; and the style 455 for high-band, 144-174 MHz. Every effort has been made by the Shakespeare engineers to design an antenna that delivers the best electrical and mechanical performance without any compromises.

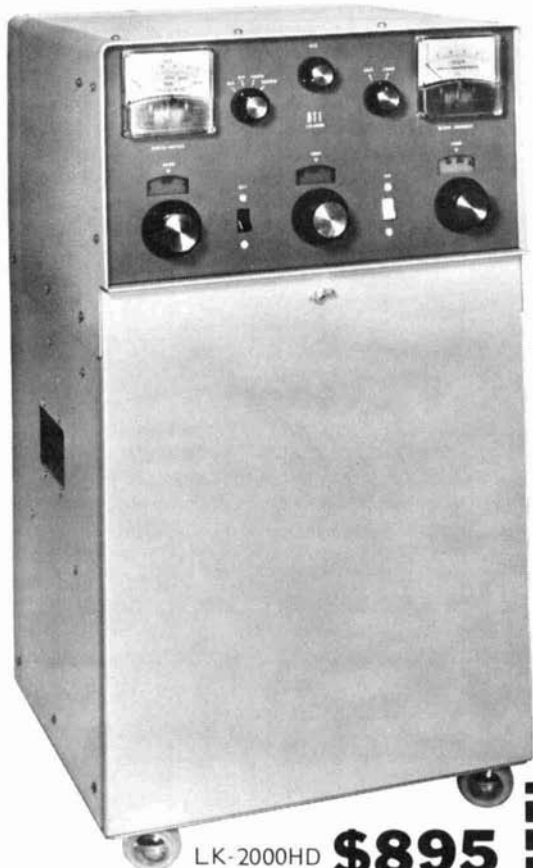
Particular care was given to eliminating built-in losses that absorb rf energy. This was accomplished with a low-dielectric taper-molded helix that offers precision repeatability, silver-plated solid-copper inductor to minimize coil heating, stranded-silver-conductor whip for large current-flow area, and separation of body metal from coil circuitry to reduce stray capacitance and leakage currents. These features combine to offer a high-Q circuit for maximum performance.

The flexible fiberglass tip inserts directly into the lower housing and eliminates the need for a base spring. The pressure-molded housing permanently seals the coil against the outside environment. A set-screw adjustment is provided so the tip can be slipped in or out for lowest swr. Adapters are available to adapt the style 455 and 456 to other popular brand base mounts.

The style 456 is a 1/4-wave antenna with a power rating of 100 watts. Standing-wave ratio is 1.3:1 or less when cut to exact frequency; input impedance is 50 ohms. Bandwidth is 300 kHz at 25 MHz, increasing to 1 MHz at 50 MHz.

The style 455 is a 5/8-wave antenna, power rated at 100 watts, with a power gain of 2.7 dB. Standing-wave ratio is 1.3:1 or less when cut to exact frequency; input impedance is 50 ohms. Bandwidth is  $\pm 2.5$  MHz for 2:1 swr. Frequency range is 144 to 174 MHz. For more information, use *check-off* on page 94, or write to Shakespeare, Post Office Drawer 246, Columbia, South Carolina 29202.

# Amateur Electronic Supply presents the new **IMPROVED** BTI LK-2000HD Linear



LK-2000HD **\$895**

## AMATEUR ELECTRONIC SUPPLY

4828 West Fond du Lac Avenue  
Milwaukee, Wisconsin 53216  
Phone (414) 442-4200

HOURS: Mon & Fri 9-9; Tues, Wed & Thurs 9-5:30; Sat 9-3

**CLEVELAND Area Hams** may wish to visit our NEW Branch store located at: 17929 Euclid Ave., CLEVELAND, OHIO, Ph. 486-7330, Pete Smith, WA8PZA, Mgr.

Please send ALL Mail Orders and Inquiries to our Milwaukee store. Our branch stores are set up to handle walk-in business only.

**POWER TO SPARE** — Conservatively Rated! Designed to operate continuous RTTY at twice the Amateur legal power input. Capable of round-the-clock SSB operation at 3000 watts P.E.P. — Plenty of reserve power for MARS work or where higher power is authorized.

**FULL 1000 WATTS Plate Dissipation** with rugged Eimac 3 - 1000Z triode. Solid state power supply furnishes 3000 Volts at 1 Ampere. Instant transmit - No warm up wait.

**EFFICIENT** Grounded Grid, zero bias linear circuit. Broad band tuned cathode input requires 50 to 200 watts drive. Compatible with most modern exciters.

**IMPROVED Band Switching and Tuning** - 80 - 10m Amateur Band Coverage plus adjacent frequencies for MARS work, etc.

**NEW PHASE COMPARISON** tuning/loading Indicator for easy tune up.

**ADJUSTABLE ALC** provides more and cleaner "Talk Power" without flat topping.

**NEW IN-LINE RF WATTMETER** reads forward and reverse power. 200/2000 watt scales. Reads true watts into 50 ohm load.

To: **AMATEUR ELECTRONIC SUPPLY**  
4828 West Fond du Lac Avenue  
Milwaukee, Wisconsin 53216

I am interested in the following new equipment:

I have the following to trade: (what's your deal?)

Ship me the following New Equipment:

I enclose \$ \_\_\_\_\_; I will pay balance (if any)

COD (20% deposit)  Revolving Charge Plan

Name \_\_\_\_\_

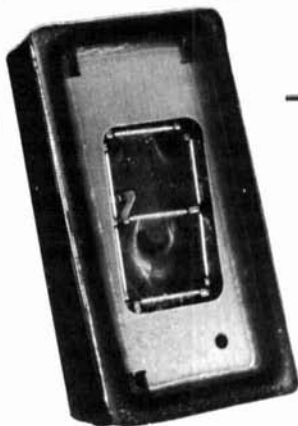
Address \_\_\_\_\_

City \_\_\_\_\_

State \_\_\_\_\_ Zip \_\_\_\_\_

# Semiconductors

• HEP • FAIRCHILD • RCA • MOTOROLA • NATIONAL



## DIGITAL READOUT

At a price everyone can afford **\$3.70**

- Operates from 5 VDC
- Operates directly from TTL
- Will last up to 250,000 hours

## DECODER — DRIVER for above

MSDO47 ..... \$3.50  
7490 decade counter ..... \$1.90

### POPULAR IC's

MC1550G	.....	\$1.80
CA3028A	.....	\$1.77
CA3020	.....	\$3.07
CA3020A	.....	\$3.92
MC1306P	1/2 W hi-gain audio power Amplifier	\$1.10
MC1350P	IF amp, hi-gain 50 dB power gain at 60 MHz more at lower freq.	\$1.15
MC1351P	FM IF amp quadrature detector	\$1.70
μA723	Voltage regulator	\$2.50
MC1496	Doubly balanced mod/demod	\$3.25

MOST MOTOROLA, RCA, & FAIRCHILD LINEAR IC's AVAILABLE ... WRITE US WITH YOUR NEEDS.

### MOTOROLA HEP

#### NEW FUNCTIONAL ICs

C6004	1-W Audio Power Amp	\$2.60
C6010	W'band Amp-RF-IF-Audio	\$1.59
C6001	FM IF Diff. Amp.	\$2.09

#### DUAL-GATE FETS

F2004	VHF RF Amp-Mixer	\$2.50
F2007	VHF RF Amp-Mixer; Diode Protected LOW-NOISE 2.6 dB at 200 MHz	\$1.65

### TRANSISTORS

MPF102	.....	\$ .60
MPF105/2N5459	.....	\$ .96
MPF107/2N5486	.....	\$1.26
MPF121	.....	\$ .85
3N140	.....	\$1.95
3N141	.....	\$1.86
MFE 3007	.....	\$1.98

### TOROID CORES

T 68-2	3 cores	.....	\$1.00
T 50-10	3 cores	.....	\$1.00
T 200-2	.....	.....	\$2.00
KW Balun kit includes core and wire ..... only \$3.50			
500 W Balun kit ..... \$2.50			
100 W Balun kit ..... \$2.00			

Include 35¢ for shipping

## CIRCUIT SPECIALISTS CO.

Box 3047, Scottsdale, AZ 85257

FACTORY AUTHORIZED HEP-CIRCUIT-STIK DISTRIBUTOR

## STUD NUT — THE NEW

unitized fastener for rapid and convenient mounting of threaded-stud, solid-state devices.



Replaces 5 separate items of hardware now required for mounting SCR's, Zeners, Diodes and Power Transistors.

PROVIDES - Exact stud centering for maximum voltage insulation

- Stud isolation from mounting surface
- Locking action
- Electrical connection to device stud

Rated to 30 Amperes, continuous. Mounted with std. 7/16" hex-nut driver.

Supplied with Mica washer for COMPLETE mounting kit for #10-32 threaded stud devices.

Package of 4 STUD-NUTS & WASHERS - \$1.00  
Package of 24 STUD-NUTS & WASHERS - \$5.00

**SCF Corp.** P. O. Box 999, Hightstown, N. J. 08520



Radio Amateurs Reference Library of Maps and Atlas

**WORLD PREFIX MAP** — Full color, 40" x 28", shows prefixes on each country . . . DX zones, time zones, cities, cross referenced tables . . . postpaid **\$1.25**

**RADIO AMATEURS GREAT CIRCLE CHART OF THE WORLD** — from the center of the United States! Full color, 30" x 25", listing Great Circle bearings in degrees for six major U.S. cities; Boston, Washington, D.C., Miami, Seattle, San Francisco & Los Angeles. . . . postpaid **\$1.25**

**RADIO AMATEURS MAP OF NORTH AMERICA!** Full color, 30" x 25" — includes Central America and the Caribbean to the equator, showing call areas, zone boundaries, prefixes and time zones, FCC frequency chart, plus informative information on each of the 50 United States and other Countries. . . . postpaid **\$1.25**

**WORLD ATLAS** — Only atlas compiled for radio amateurs. Packed with world-wide information — includes 11 maps, in 4 colors with zone boundaries and country prefixes on each map. Also includes a polar projection map of the world plus a map of the Antarctica — a complete set of maps of the world. 20 pages, size 8 3/4" x 12" . . . . . postpaid **\$2.00**

**Complete reference library of maps — set of 4 as listed above** . . . . . postpaid **\$3.50**

See your favorite dealer or order direct.

**WRITE FOR FREE BROCHURE!**

RADIO AMATEUR **callbook** INC.



Dept. E 925 Sherwood Drive  
Lake Bluff, Ill. 60044



# B A R R Y

**CLEGG 66'er 6 mtr transceiver.** Both 115 VAC and 12 VDC .....\$95.00  
**COLLINS 352D-2 mobile mount for KWM-2.** Excellent .....\$135.00  
**COLLINS PM-1.** 12 VDC power supply for KWM-2, etc. Excellent .....\$125.00  
**COLLINS 75S-1 Receiver.** Excellent condition. w/o crystals .....\$220.00  
**COLLINS 75S-3B Receiver.** Like new .....\$550.00  
**COLLINS 75S-3B Receiver.** New with warrantee card .....\$795.00

## CUSH-CRAFT ANTENNAS IN STOCK

**DGPA (Ground plane)** (30 to 50 MHz) .....\$16.00  
**A50-3 (6 mtr, 3 element)** .....\$18.50  
**A50-5 (6 mtr, 5 element)** .....\$29.50  
**A144-7 (2 mtr, 7 element)** .....\$12.95  
**A144-11 (2 mtr, 11 element)** .....\$16.95  
**TRIK-STIK ("universal ant.")** .....\$6.95

**DRAKE ML-2F FM MOBILE/BASE** .....\$329.95  
**DRAKE TR-22 FM PORTABLE/BASE** .....\$199.95

**DRAKE R F WATTMETERS** — read forward or reflected power directly in watts.

**W-4 (1.8-54 MHz)** Two scales — 0-200/2000 watts .....\$61.95  
**WV-4 (20-200 MHz)** Two scales — 0-100/1000 watts .....\$73.50

**DYCOMM "Block Booster"** 2 mtr FM amplifier, 50 watt output. 12 VDC .....\$89.95

**DYCOMM "Brick Booster"** 2 mtr FM amplifier, 12 watt output. 12 VDC .....\$69.95

**JOHNSON VIKING RANGER,** 10 thru 160 meters (also 111 meters). Good cond. \$100.00; Excellent cond. \$125.00; New \$150.00

**LAFAYETTE HA-460.** 6 mtr transceiver. 115 VAC or 12 VDC. Mint .....\$85.00

**OHMITE R.F. PLATE CHOKE.** #Z-7. 84 uH at 1000 mA. Reg. \$1.50 — Sale .....90¢

**POTTER & BRUMFIELD 4PDT MINIATURE RELAY.** #KHP17D11. 3 Ampere contacts. 24 VDC coil. Plug-in or solder terminals. Only 3/4 cubic inches. With plastic dust cover. New, jobber-boxed (4 to carton). Reg. \$5.05 — Sale \$3.00

**RCA 1000.000 kHz crystal** .....Only \$3.50  
**SB2-LA 1 kW LINEAR AMPLIFIER** with built-in power supply. Mint .....\$175.00

**SOMMERKAMP/YAESU FL200B TRANSMITTER and FR100B RECEIVER.** Both like new. Price for both .....Only \$440.00

**6.3 V @ 2A fil. xfmr. (115 VAC)** .....\$1.95  
**833/833A tube socket.** Johnson #124-212-1 .....\$2.95



**30 Amp Bifilar filament choke** for G.G. Linear Amplifier (3-1000Z, 3-500Z's) etc. ....\$8.90



**AUTO XFMR.** Pri. tapped for 110 thru 250V. Output: 350VAC and 5VAC \$15.00

**1 AMP SILICON DIODES.** 400 PIV @ 12¢, 600 PIV @ 15¢, 800 PIV @ 20¢, 1000 PIV @ 25¢



**TRANSCO DELUXE COAXIAL SWITCH.** SP4T. Carries 2 kW PEP @ 30 MHz. Good to 3000 MHz. 50 Ohm impedance. New, sealed. (\$70.00 plus wholesale) @ \$17.50

**BIRD MODEL 72R COAXSWITCH®.** New \$37.50

**WATERS MODEL 346 NUVERTER.** 2 and 6 mtr Deluxe converter. Matches Collins S-Line (75S-3) etc. Works with any 10 meter superhet. \$175.00 net — Sale .....\$75.00

**INDUCTOR.** 1 1/2" diameter, 3 1/2" long. 16 Turns per inch. Similar to Air Dux #1216 .....95¢

**OPEN-WIRE TRANSMISSION LINE.** 400 ohm (nom.) Usable as 300-500 ohm. Donut spacers. 100 ft. reels .....per reel \$6.50

**GLOBAR TYPE LX HIGH CURRENT NON-INDUCTIVE RESISTOR.** 600 ohms. 1" diameter by 18" long .....\$5.95

**JUST ARRIVED — JOHNSON VARIABLE CAPACITORS.** Johnson types 160-104, 160-107, 160-110, 167-53, 167-427. Sale Priced.

We will demonstrate Alpha Seventy Linear . . . We are factory export distributor for E.T.O./Alpha.

New items arrive daily. Check with us or come in for a pleasant visit. Large stocks of famous brand new and lab-checked trade-ins.

**NEW! Pearce-Simpson's GLADDING 25** — Six channel two meter FM transceiver. Full 25 watts output (1 watt on Lo). Write or phone.

**CASH PAID . . . FAST!** For your unused TUBES, Semiconductors, RECEIVERS, VAC. VARIABLES, Test Equipment, ETC. Write or call Now! Barry, W2LNI. We Buy!

Send 35¢ for 104 page catalog #20.

**BARRY ELECTRONICS CORP.**  
 DEPT. H-9 — PHONE A/C 212-925-7000  
 512 BROADWAY, NEW YORK N. Y. 10012

## RADIO DATA REFERENCE BOOK

G. R. Jessop, G6JP

Here in a 148 page book is one of the most complete compilations of radio and electronic charts, nomographs, formulas and design data available anywhere. Included are sections on General Formulas, Pi-Network Design, Wideband Couplers, TVI Filters, Baluns, Antenna Design Charts, Coil Design, Frequency Allocations and much much more.

Here is a book that will probably pay for itself the first time you use it. Whether you design, build or operate, this volume definitely belongs very close to your workbench or operating table.

148 pages Hardbound

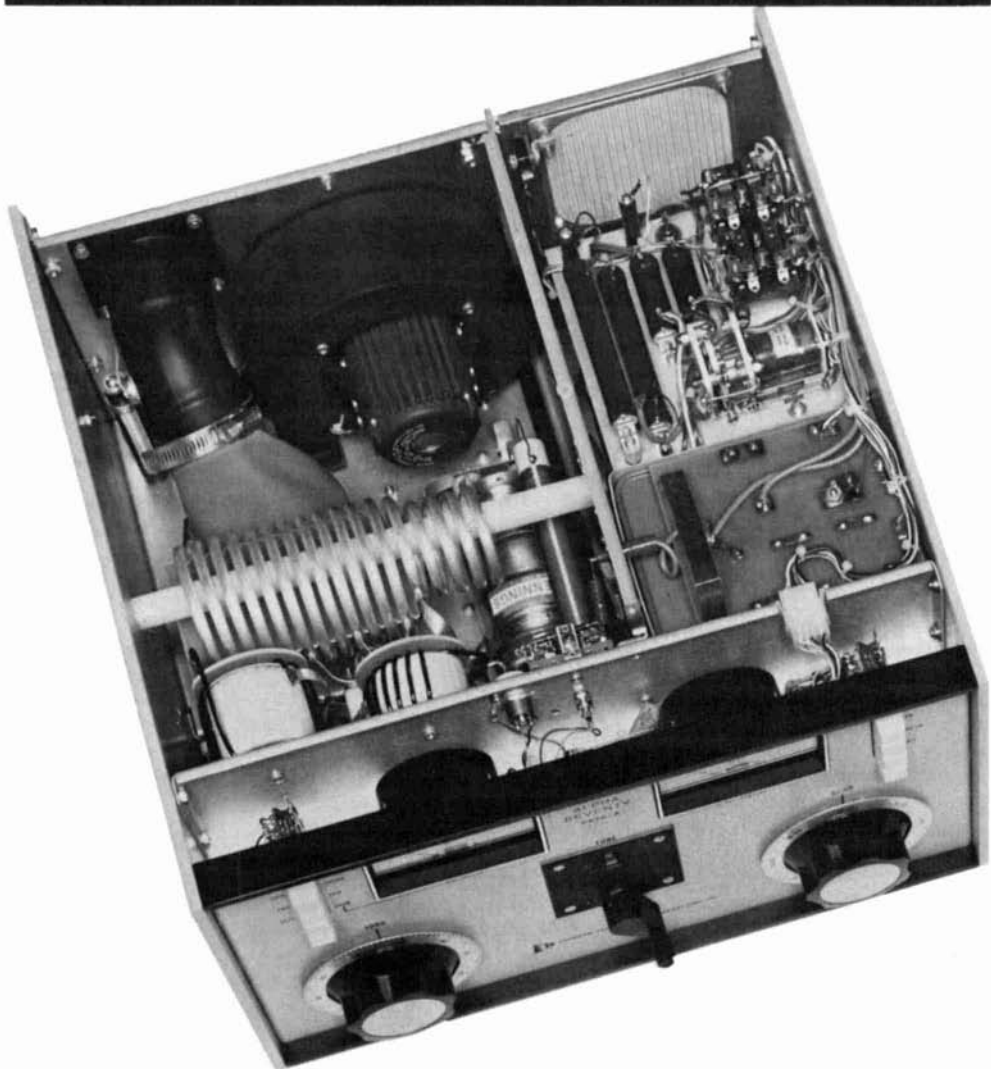
**ONLY \$3.00 POSTPAID**

**comtec**

BOOKS BOX 592

AMHERST, NEW HAMPSHIRE 03031

**\*this is it!**



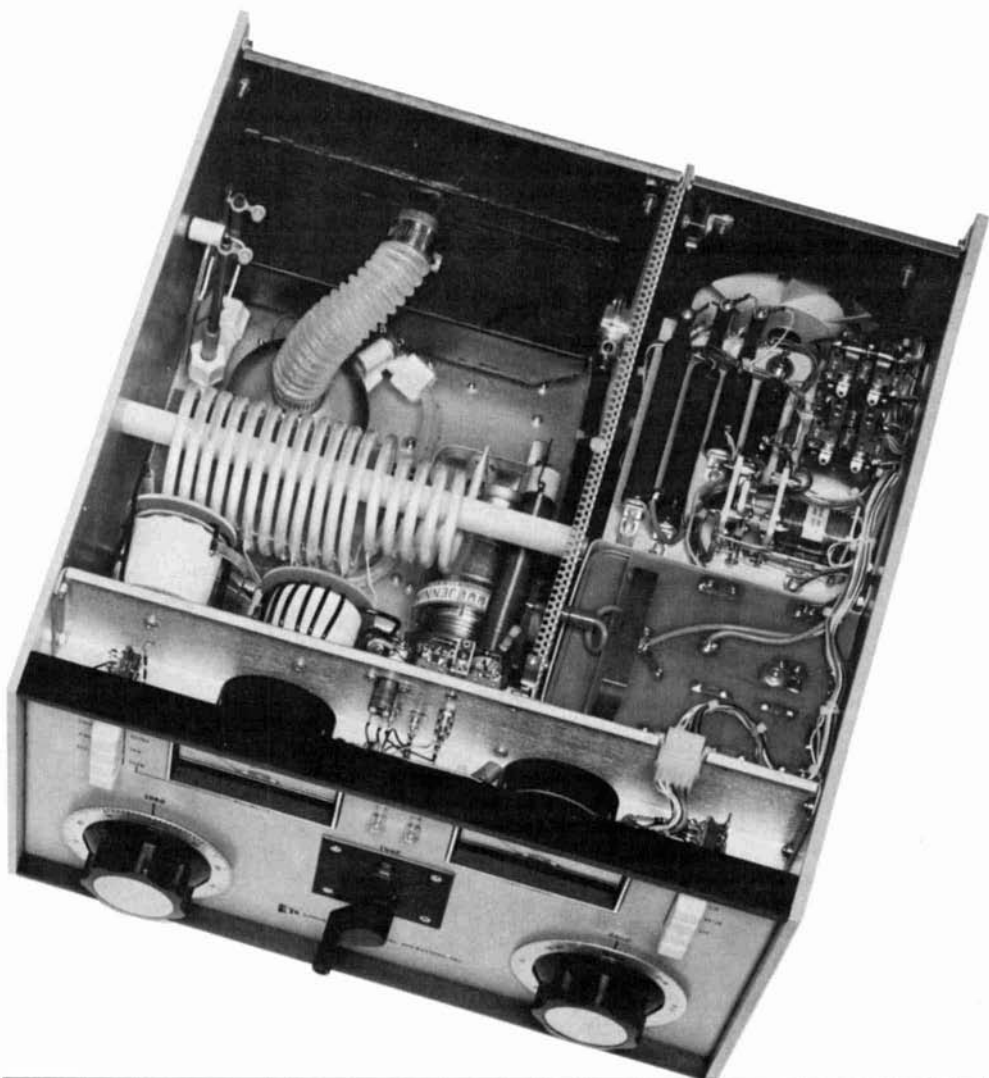
## The air cooled *ALPHA SEVENTY*

(model PA70-A) is identical *in every rating*, every superb electrical and mechanical detail, to the famous PA70-V . . . except that it employs a thermostatically-controlled MIL-spec blower in ETO's unique ducted-air cooling system. Full 1500 watt plate dissipation . . . simple installation in any position . . . and it's probably the quietest high-powered linear amplifier you've ever seen.

**ETO**

**EHRHORN TECHNOLOGICAL OPERATIONS, INC.  
BROOKSVILLE, FLORIDA 33512**

# This One Is Quieter Yet



If you've seen the renowned *vapor cooled* **ALPHA SEVENTY** perform — in a friend's shack or at any of the major ham fests where it's starred during the past year and a half — then you know that it's *the ultimate* in whisper-silence brute power. While the air cooled PA70-A is merely *very* quiet, the PA70-V is *unbelievably* quiet. The two models are otherwise identical.

You can own no finer linear amplifier than an **ALPHA SEVENTY**. Write ETO for a detailed brochure, or visit a dealer listed below. Air cooled model PA70-A \$1595. Vapor cooled PA70-V \$2195.

*Amateur Electronic Supply, Milwaukee & Cleveland ... Amrad Supply, Oakland/San Francisco ... Baytown Electronic, Houston ... CW Electronics, Denver ... Douglas Electronics, Corpus Christi ... Electronic Distributors, Muskegan ... Harrison Radio, New York ... Export only—Barry Export Electronics Corp, New York ... Disneyland Convention, September 4—6.*

# Pro CW from amateur fingers.

Ten-Tec's KR 40 squeeze keyer makes the perfect signal from the imperfect hand. Built-in memories insert characters in correct place and spacing with only a momentary closure of either paddle.

Spacing and speed are adjustable to match your sending speed, from 6 to 60 words per minute. Built-in monitor

provides side tone for headphones, speaker or off-the-air practice. Output is handled by reed relay. Circuitry is all solid state.

The KR 40 is a good looking, rugged keyer with a beautiful feel. Easy to learn. Easier to use.

OUR BEST FOR THE  
SERIOUS AMATEUR \$89.95



Write for complete information on the Ten-Tec family of five keyers. Priced from \$34.95. Send coupon to:



TEN-TEC INC. Dept. P1  
SEVIERVILLE, TENNESSEE 37862

NAME \_\_\_\_\_

ADDRESS \_\_\_\_\_

CITY \_\_\_\_\_

STATE \_\_\_\_\_

ZIP \_\_\_\_\_

## RSGB

## NEW!

## 1971 EDITION

## VHF — UHF MANUAL

## G. R. Jessop, G6JP

If you have any interest in the frequencies above 30 MHz then you need this book. It is probably the most comprehensive work of its kind ever produced. Included is simple material for the beginner in VHF and advanced material to satisfy the most experienced and critical reader. A wide range of information is included covering such topics as propagation, tuned circuits, mobile equipment, single sideband and antennas. There are 65 pages devoted exclusively to receivers and 80 pages to transmitters, more information than ever before.

Previous editions of this book have set a high standard in this field for a long time and this latest edition is sure to be no exception.

Regularly \$5.95

**Special Introductory Price \$4.95**

HURRY! THROUGH SEPTEMBER 15 ONLY

comtec

BOOKS

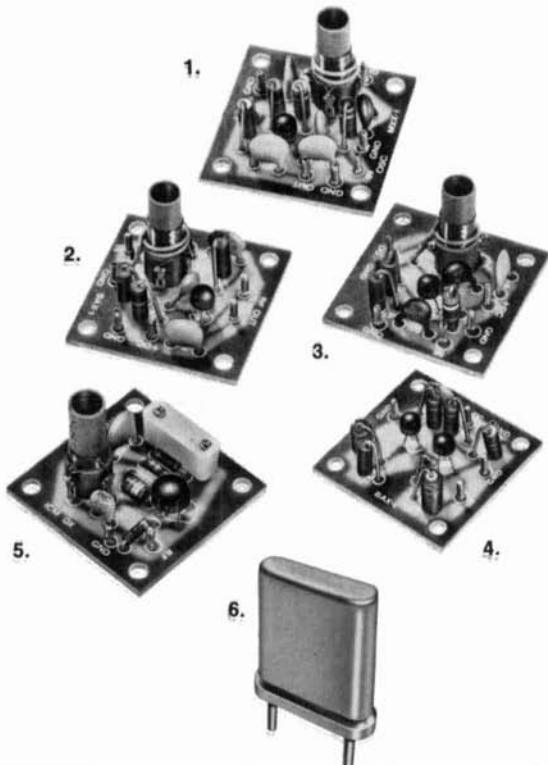
BOX 592

AMHERST, NEW HAMPSHIRE 03031

# for the experimenter!

## INTERNATIONAL EX CRYSTAL & EX KITS

OSCILLATOR • RF MIXER • RF AMPLIFIER • POWER AMPLIFIER



### 1. MXX-1 TRANSISTOR RF MIXER

A single tuned circuit intended for signal conversion in the 3 to 170 MHz range. Harmonics of the OX oscillator are used for injection in the 60 to 170 MHz range. Lo Kit 3 to 20 MHz, Hi Kit 20 to 170 MHz (Specify when ordering).....\$3.50

### 2. SAX-1 TRANSISTOR RF AMP

A small signal amplifier to drive MXX-1 mixer. Single tuned input and link output. Lo Kit 3 to 20 MHz, Hi Kit 20 to 170 MHz (Specify when ordering).....\$3.50

### 3. PAX-1 TRANSISTOR RF POWER AMP

A single tuned output amplifier designed to follow the OX oscillator. Outputs up to 200 mw, depending on the frequency and voltage. Amplifier can be amplitude modulated. Frequency 3,000 to 30,000 KHz.....\$3.75

### 4. BAX-1 BROADBAND AMP

General purpose unit which may be used as a tuned or untuned amplifier in RF and audio applications 20 Hz to 150 MHz. Provides 6 to 30 db gain. Ideal for SWL, Experimenter or Amateur.....\$3.75

### 5. OX OSCILLATOR

Crystal controlled transistor type. Lo Kit 3,000 to 19,999 KHz, Hi Kit 20,000 to 60,000 KHz. (Specify when ordering).....\$2.95

### 6. TYPE EX CRYSTAL

Available from 3,000 to 60,000 KHz. Supplied only in HC 6/U holder. Calibration is  $\pm .02\%$  when operated in International OX circuit or its equivalent. (Specify frequency).....\$3.95

## for the commercial user

### INTERNATIONAL PRECISION RADIO CRYSTALS

International Crystals are available from 70 KHz to 160 MHz in a wide variety of holders.

Crystals for use in military equipment can be supplied to meet specifications MIL-C-3098E.



**CRYSTAL TYPES:** (GP) for "General Purpose" applications  
(CS) for "Commercial Standard"  
(HA) for "High Accuracy" close temperature tolerance requirements.

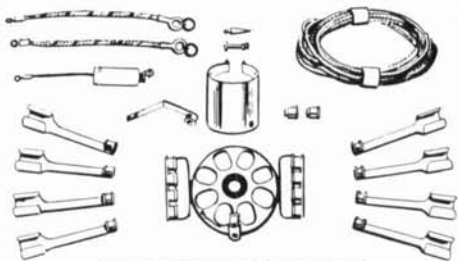
WRITE FOR CATALOG.



CRYSTAL MFG. CO., INC.  
10 NO. LEE • OKLA. CITY, OKLA. 73102

# HALLETT ELIMINOISE

Ignition Noise Suppression Kit



MODEL 80 - UNIVERSAL KIT FITS ALL 8 CYL. AMERICAN CARS

LIMITED

**SPECIAL \$24.95**

\$55.00 VALUE



## Electronix Sales

• HAM • STEREO • C.B. •

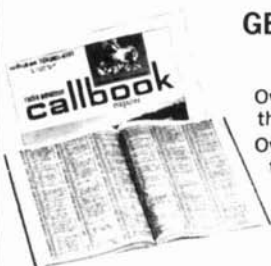
23044 S. GRENSHAW BLVD.

TORRANCE, CALIF. 90505

PHONE (213) 534-4456

radio amateur

# callbook



## GET YOUR NEW ISSUES NOW!

Over 285,000 QTHs in the U.S. edition **\$8.95**  
Over 165,000 QTHs in the DX edition **\$6.95**

NEW EDITION EVERY:  
MARCH 1 - SEPT. 1  
JUNE 1 - DEC. 1

These valuable EXTRA features included in both editions!

- QSL Managers Around the World!
- Census of Radio Amateurs throughout the world!
- Radio Amateurs' License Class!
- World Prefix Map!
- International Radio Amateur Prefixes
- Prefixes by Countries!
- Zips on all QTH's!
- A.R.R.L. Phonetic Alphabet!
- Where To Buy!
- Great Circle Bearings!
- International Postal Information!
- Plus much more!

See your favorite dealer or order direct (add 25¢ for mailing in U.S., Possessions & Canada, Elsewhere add 50¢).

**WRITE FOR FREE BROCHURE!**



RADIO AMATEUR **callbook** INC

Dept. E 925 Sherwood Drive  
Lake Bluff, Ill. 60044

## CRYSTAL FILTERS AND DISCRIMINATORS

by KVG of West Germany



### 9.0 MHz FILTERS

XF 9A	2.5 kHz	\$21.95
XF 9B	2.4 kHz	\$30.25
XF 9C	3.75 kHz	\$32.45
XF 9D	5.0 kHz	\$32.45
XF 9E	12.0 kHz	\$32.45
XF 9M	0.5 kHz	\$23.00
XL10M	0.5 kHz	\$59.95

### 10.7 MHz FILTERS

XF 107A	14 kHz	\$30.25
XF 107B	16 kHz	\$30.25
XF 107C	32 kHz	\$30.25
XF 107D	38 kHz	\$30.25

### 9.0 MHz DISCRIMINATORS

XD9-01	± 1.5 kHz	\$16.95
XD9-02	± 3.0 kHz	\$16.95
XD9-03	± 8.0 kHz	\$16.95

### 10.7 MHz DISCRIMINATORS

XD107-01	± 10 kHz	\$14.95
XD107-02	± 20 kHz	\$14.95

### HC6/U CRYSTALS

XF 900	9000.0 kHz	\$2.75
XF 901	8998.5 kHz	\$2.75
XF 902	9001.5 kHz	\$2.75
XF 903	8999.0 kHz	\$2.75

ALSO:

### DUAL GATE MOSFET CONVERTER FOR TWO METERS



Noise figure: 2. Excellent cross modulation and image rejection (116 MHz xtal oscillator.) IF 28-30 MHz. All inductors shielded.

Model DGTC 22. .... \$35.00

# si

SPECTRUM  
INTERNATIONAL  
BOX 87 TOPSFIELD  
MASSACHUSETTS 01983

# high accuracy CRYSTALS

for over 30 years



ONE or A MILLION...



Write for Free Catalog

**SAVOY ELECTRONICS, INC.**  
P.O. Box 7127 Fort Lauderdale, Florida - 33304

TEL: 305-566-8416 or 305-947-1191

For  
optimum  
voice power  
and clarity

**COMDEL**  
inc.

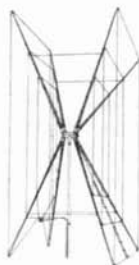
beverly airport  
beverly, mass.

**MODEL CSP-11**  
**PRICE \$120**

Simply connect the Comdel CSP-11 between your audio source and equipment and get instant voice clarity with a 10 dB increase in talk power. Unlike conventional speech clippers the CSP-11 tailors the audio bandwidth and introduces no harmonic distortion. It is equally effective in Audio AM, FM and SSB systems. For further information call or write.



**GEM-QUAD FIBRE - GLASS**  
ANTENNA FOR 10, 15, and 20 METERS.



Two Elements \$107.00  
Extra Elements \$60.00 ea.

Submit Payment with Order  
Shipped Freight collect.

Price includes  
Canadian Federal Sales Tax  
or U.S. Customs Duty.

**KIT COMPLETE WITH**

- SPIDER
- ARMS
- WIRE
- BALUN KIT
- BOOM WHERE NEEDED

SEE OUR FULL PAGE IN MAY ISSUE

Buy two elements now - a third and fourth may be added later with little effort.

Enjoy optimum forward gain on DX, with a maximum back to front ratio and excellent side discrimination.

Get a maximum structural strength with low weight, using our "Tridetic" arms.



MANITOBA DESIGN INSTITUTE  
AWARD WINNER

**Structural Glass**  
LIMITED

Canadian Patent No. 794506  
U.S. Patent No. 3532315

20 Burnett Avenue, Winnipeg 16, Manitoba, Canada

... THE BEST  
**2 METER**  
CONVERTER



Model 407  
**\$42.95**  
ppd.

144-146 MHz in. 28-30 MHz out  
or 146-148 MHz with a second crystal  
available for \$5.95 each

A full description of this fantastic converter would fill this page, but you can take our word for it (or those of thousands of satisfied users) that it's the best. The reason is simple - we use three RCA dual gate MOSFETs, one bipolar, and 3 diodes in the best circuit ever. Still not convinced? Then send for our free catalog and get the full description, plus photos and even the schematic.

Can't wait? Then send us a postal money order for \$42.95 and we'll rush the 407 out to you. NOTE: The Model 407 is also available in any frequency combination up to 450 MHz (some at higher prices) as listed in our catalog. New York City and State residents add local sales tax.

**VANGUARD LABS**

Dept. R, 196-23 Jamaica Ave., Hollis, N.Y. 11423



# HAL DEVICES



**HAL DEVICES  
MODEL 1550  
ELECTRONIC KEYSER**

All the features of previous HAL keyers and more. TTL circuitry. Optional identifier for sending all letters. DX and RTTY ops, take notice. Transistor switching for grid block AND cathode keying. Rugged crackle cabinet with brushed aluminum panel. Designed for ease of operation. Write for details. Model 1550 only \$64.95. With ID \$89.95. Shipping extra.

## HAL TOUCHCODER II KIT \$55.00

Complete parts kit, excluding keyboard, for the W4UX CW code-typewriter. All circuitry on one 3 x 6" G10 glass PC board. Plug-in IC sockets. Optional contest ID available, \$35.00. Watch for announcement of the new HAL code-typers, both Morse and RTTY.

## HAL ARRL FM TRANSMITTER KIT

Drilled, plated, glass epoxy HAL PC boards. 2N5913 final transistor. RF detector with 0-1 ma. meter added. All parts, and the RF detector and meter only \$55.00 + shipping. Cabinet and crystals excluded. Board only \$7.50. Write for details.

## HAL SSTV SCAN CONVERTER

Parts kit for the W3EFG circuit allowing use of fast scan vidicon camera for SSTV. Drilled, plated, glass epoxy PC boards. All parts including power supply \$55.00 + shipping. Write for details.

## DOUBLE BALANCED MODULATOR KIT

For the DBM in March 1970 Ham Radio. 7/8 x 2" drilled G10 glass PC board, 4 HP 2800 hot carrier diodes matched by HAL. 2 Indiana General CF 102-Q1 toroids. Wire and instructions included. \$6.50 + shipping.

HOT CARRIER DIODES: HP2800 80¢ 12-110-00 Matched by HAL \$14.25		
ZENERS: 1N4720(3.6V) 1N4733(5.1V) 1N4735(5.6V) 1N4738(6.2V) 1N4739(6.8V)		
LINEAR ICS: 7008 79¢ 7008 79¢ 7008 79¢ 7008 79¢ 7008 79¢ 7008 79¢		
DIGITAL ICS: 1-LS223 80¢ MC1496 53.25 MC1506 55.00 MC1733P 95¢		
METL: MC1506P 53.50 MC806P 53.50 MC806P 53.50 MC806P 53.50		
IMP TTL: 7400 7401 7402 7410 7430 7432 7480 7481 7482 7483 7484 7485 7486 7487 7488 7489 7490 7491 7492 7493 7494 7495 7496 7497 7498 7499		
FETS: 40673 MOSFET 61.00 MRF102 60¢ 2N3819 55¢		
TOROID: Indiana General CF 102-Q1 CF 102-Q1 CF 102-Q1 CF 102-Q1		
CF 102-Q1 11.25 FERROCYCLE FERRITE BEADS: 10-13 25¢ 10-15 25¢ 10-16 25¢ 10-17 25¢		
CHINA IC SOCKETS: 8-ICS 14 DMP 60¢		

Many other devices and components in stock. Write for catalog.



**HAL MAINLINE ST-6 RTTY TU**

Complete parts kit for the W6FFC ST-6 now includes all parts except cabinet. Only 7 HAL circuit boards (drilled G10 glass) for all features. Plug-in IC sockets. Custom transformer by Thordarson for both supplies, 115/230V, 50-60Hz. \$135.00 kit. Screened table or rack cabinet \$26.00. Boards and manual \$16.50. Shipping extra. Wired units available. Write for full details.

## HAL RT-1 TU/AFSK KIT \$51.50

All TU and AFSK generator circuitry, including PS, on 3x6" G10 PC board. 850, 170, and CW ID shifts. Zener protected transistor loop switch. High and low impedance audio output. Price \$45.00. Shipping extra. Write for full details. HAL Designer Cabinet for the above \$6.50. Board and manual \$5.50.

## HAL MAINLINE ST-5 RTTY TU

ST-5 kit now includes drilled G10 glass boards, custom Thordarson transformer, meter and metering components. Boards accept both round and DIP 709 IC's. \$50.00. Boards only \$6.00. Shipping extra.

## HAL MAINLINE AK-1 AFSK OSC

HAL now offers a parts kit for the AK-1 AFSK osc. Drilled G10 glass PC board plugs into 12 pin edge connector for compatibility with the HAL ST-6, or for ease of use alone. Requires 12vdc. \$27.50. Board only \$4.00. Shipping extra.



**HAL ID-1  
REPEATER IDENTIFIER**

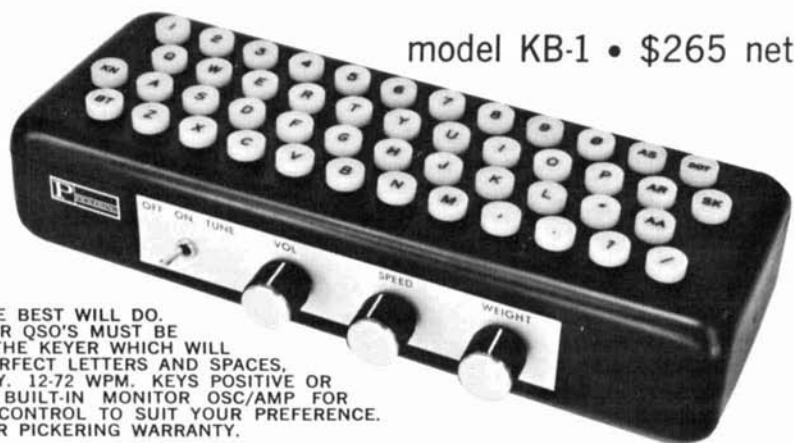
TTL logic. Power line frequency counter for 3 minute or less timing and control. Easily reprogrammable diode ROM uses only 27 diodes (depending on call) to send DE "any call". Low impedance audio with volume and tone control. All circuitry including PS on small G10 glass PC board. Write for full details. . . . \$75.00 Wired.

## ORDERING INFORMATION

Catalog, including photos, of all items 24¢ postage. Please add 75¢ on parts orders, \$2.00 on larger kits. Shipping via UPS when possible. Give a street address.

**HAL DEVICES, Box 365H Urbana, IL 61801**  
Phone 217-359-7373

**FOR THE MAN WHO TAKES CW SERIOUSLY.**



model KB-1 • \$265 net

FOR YOU, ONLY THE BEST WILL DO. YOUR TRAFFIC, YOUR QSO'S MUST BE PERFECT. THIS IS THE KEYS WHICH WILL DO IT FOR YOU. PERFECT LETTERS AND SPACES, ALL AUTOMATICALLY. 12-72 WPM. KEYS POSITIVE OR NEGATIVE LOADS. BUILT-IN MONITOR OSC/AMP FOR SPEAKER. WEIGHT CONTROL TO SUIT YOUR PREFERENCE. ONE-YEAR PICKERING WARRANTY.

READ THE QST WRITEUP ON THE KB-1 IN THE AUGUST, 1970 ISSUE. THEN SEND FOR OUR ILLUSTRATED BROCHURE ON THE KB-1.

TO ORDER, SEE YOUR AMATEUR EQUIPMENT DEALER, OR ORDER DIRECT FROM FACTORY. YOU MAY USE YOUR MASTERCHARGE OR BANKAMERICARD. SIMPLY GIVE US YOUR ACCOUNT NUMBER.

YOUR CW SENDING DESERVES THE BEST  
ORDER YOUR KB-1 NOW!

PICKERING RADIO CO.  
Post Office Box 244  
Portsmouth, R.I. 02871



## 2 METER FM!

VERTICAL GROUND PLANES  
with special custom features...  
... for 150-170 MHz.

Gain: 3.4 db. compared to ¼ wave ground plane. Power Rated: 1 KW AM; 2 KW P.E.P. SSB. Frequency Range: 144 to 148 MHz. with special custom features for 150 to 170 MHz. VSWR: 1.5/1 or better at resonance.

Diplomat 2  
Model DI-2  
\$11.20

Diplomat Special  
Model DI-2A  
\$17.95

For complete details, see your local authorized Mosley Dealer or write Dept. 142a.

**Mosley Electronics Inc.**

4610 N. LINDBERGH BLVD., BRIDGETON MO. 63044



## A HANDSOME PAIR MATCHING

BOUND VOLUMES and BINDERS

Binders \$3.95

1969 & 1970

Bound Volumes each \$14.95

HAM RADIO MAGAZINE

GREENVILLE, N. H. 03048

SEE YOUR  
DEALER FOR



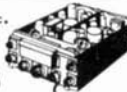
EQUIPMENT

NEW CATALOG AVAILABLE, WRITE:  
AEROTRON, INC.  
P.O. BOX 6527, RALEIGH, N.C. 27608

# NEW G&G CATALOG! MILITARY ELECTRONICS

24 PAGES, crammed with Gov't Surplus Electronic Gear - the Biggest Bargain Buys in America! It will pay you to **SEND 25¢** for your copy - Refunded with your first order.

**BC-645 TRANSCEIVER** 15 tubes, 435 to 500 Mc. Easily adapted for 2 way voice or code on Ham, Mobile, Television Experimental, and Citizens Bands. With tubes, less power supply in factory carton, BRAND NEW..... **\$16.95**



TRANSMITTER has 4 tubes: WE-316A, 2-6F6, 7F7  
RECEIVER has 11 tubes: 2-955, 4-7H7, 2-7E6, 3-7F7  
RECEIVER I.F.: 40 Megacycles  
SIZE: 10-1/2" x 13-1/2" x 4-1/2". Shpg wt 25 lbs.

**SPECIAL PACKAGE OFFER:** BC-645 Transceiver, Dynamotor and all accessories, including mounting, UHF Antenna Assemblies, control box, complete set of connectors and plugs.  
Brand New ..... **\$26.95**

**HEADSET** Low impedance. With large chamois ear cushions. 4-ft cord and plug. Reg. \$12.50. Our Special Price **\$2.95**  
Less ear cushions..... \$1.95  
High impedance adaptor for above... \$ .69



## SCR-274-N, ARC-5 COMMAND SET HQ!

Freq. Range	Type	Exc. Used	Like New	Brand New
RECEIVERS.	Complete with Tubes			
190 - 550 Kc	BC-453	\$16.95	\$23.50	\$27.50
6 - 9.1 Mc	BC-453	—	—	\$22.50
1.5 - 3 Mc	R-25	—	\$19.50	\$21.50
TRANSmitters.	Complete with Tubes			
4 - 5.3 Mc	BC-457	\$8.95	—	\$11.95
5.3 - 7 Mc	BC-458	\$8.95	—	\$11.95

**TG-34A CODE KEYER.** self-contained, automatic, reproduces code practice signals from paper tape. 5 to 12 WPM Built-in speaker. Brand new with tech manual. takeup reel and AC line cord. ... **\$24.50**  
Code practice tapes for above P.U.R.



**BC-1206-C RECEIVER** Aircraft Beacon Receiver 200 to 400 Kc. Operates from 24V DC 1.5A. Continuous tuning, vol control, on-off switch and phone jack. Very sensitive. Compact.  
Complete with tubes, NEW..... **\$12.50**



**BC-604 FM TRANSMITTER** 20 to 27.9 Mc. Output approx 30 watts. 10 crystal controlled channels. Complete with tubes.  
NEW..... **\$12.50**



ARC-111A Modern Q-5 Receiver 190 - 550 KHz ..... **\$10.95**  
ARC-R22 540 - 1600 KHz Receiver with tuning graph ..... **\$15.95**  
R-4/ARR-2 Receiver 234-258 Mhz, 11 tubes, NEW ..... **\$8.95**

BC-605 INTERPHONE AMPLIFIER, NEW \$3.45 EXC. USED..... \$1.95  
TELEPHONE HANDSET, W.E. type..... LIKE NEW \$2.95  
SCR-522 TRANSMITTER-RECEIVER, with 18 tubes, LIKE NEW \$32.50

**AM-300/AIC PUSH-PULL AMPLIFIER**  
4-tube PP power amplifier with dynamotor, works on 28 VDC. Automatic gain control.  
Shpg wt 15 lbs. LIKE NEW..... **\$3.95**



**DUAL AMPLIFIER** has two input circuits each feeding a single 6SN7GT twin triode amplifier. Complete with 115V 60 cy. power supply using 6X5GT rectifier. NEW..... **\$5.95**



**IP-69A/ALA-2 INDICATOR** 3" scope. Front panel controls: Vertical Pos., horizontal pos. intensity, focus, gain, width, center freq. Pan. Operates on 115 V 380 to 1000 cps.  
Complete with tubes. LIKE NEW..... **\$27.50**



**TG-5B TELEGRAPH SET** for code communications or code practice. Portable, with hinged lid. Two or more units operate up to 25 miles apart. Bell call system, 1000 cycle howler, key, headpiece, canvas case, book.  
Size 5-1/2x5-1/2x10". NEW..... **\$8.95**



**TELEPHONE TYPE RAYL**  
Made by J.H. Bunnell, has adjustable sensitivity. 150 ohm coil. NEW..... **\$3.45**



## AN/APR - 4Y FM & AM RECEIVER "FB" for Satellite Tracking!

High precision lab instrument, for monitoring and measuring frequency and relative signal strength, 38 to 4000 Mc. in 5 tuning ranges. For 110 v 60 cycle AC. Built-in power supply. Original circuit diagram included. Checked out, Perfect. LIKE NEW..... **\$88.50**  
All tuning units available for above. P.U.R.



**R48/TRC-8 UHF FM RECEIVER** 230 to 250 Mc. Variable tuning, one band, 115/230 V 60 cy. Complete with speaker, phone jack, squelch circuit 2-1/2" meter for circuit testing; includes 15 tubes: 8/6A67, 9002, 5U4, 6V6, VR-150, 6N7, 6SN7, 6AL7. Size 20 x 19 x 16". Weight 75 lbs.  
NEW..... **\$44.50**



**TV-10 UHF TRANSVERTER** 28V DC Made by Aircraft Radio Corp. Couples UHF Antenna to VHF transmitter and VHF receiver. Uses 6 tubes: 4/5763 and 2/6201. Includes 8 crystals ranging from 233.8 Mc to 257.8 Mc. Size: 11x 4-1/2x4-5/8". Wt 5-1/2 lbs.  
LIKE NEW, with tubes and crystals..... **\$9.95**



## R-20 RECEIVER

Made by Aircraft Radio Corp, works on 28 V, inc- ludes 4 tubes: 2/12AW6, 12AX7, 12AT7. Size: 6-1/2x4-1/2x4-5/8".  
LIKE NEW..... **\$7.50**



## HANDMIKE

Rugged, heavy-duty carbon handmike with press-to-talk switch. Equipped with 4-ft cord & phone plug. SPECIAL  
NEW, boxed..... Each **\$1.88** 2 for \$3.25



## 2" DC VOLTMETER

Mounts in 2-1/8" hole. Flange diameter 2-5/8" Two scales: 0-15 and 0-600. Calibrated for use on steel panel. Standard brand, SPECIAL  
NEW, boxed..... Each \$1.75 2 for \$3.00



**BC-733 RECEIVER** Receives radio signals being transmitted by US satellite on approx. 108 Mc, AM, crystal-controlled on 6 preset freqs. in 108.3 to 110.3 Mc range. Operates on 12/24 V DC & 220 VDC 80 Ma. Complete with 10 tubes. Can be converted to FM Receiver  
80 to 108 Mc. Exc. Used..... **\$5.95**  
BC-732A Control Box for above, NEW... 1.75



## T-41 / APS - 1B TRANSMITTER

ANTENNA UNI designed for 115 V 800 to 1400 cps. Tubes included are two 15E and one 15R. Complete with shock mounts and blower motor, 7x8x18", NEW..... **\$8.95**



**BC-223AX TRANSMITTER** 25 Watt, CW, MCW, Voice, Crystal control on 4 pre-selected channels, range 2000 to 5200 Kc by use of 3 plugin units, included. Complete.  
BRAND NEW..... **\$27.50**



**APN-1 FM TRANSCEIVER** 400-450 Mc. Freq. modulated by moving coil transducer. Easily converted for radio control or 70 cms. Complete with 14 tubes, dyn.  
BRAND NEW..... **\$9.95**



**AM-26/AIC PHASE INVERTER AMP.** 4-tube pushpull power amplifier. Carbon mike input, hi-lo imp. output. Works on 24VDC. Easily converted to dandy 9-watt amplifier. Complete with tubes and dynamotor  
LIKE NEW..... **\$5.95**



**WILLARD 2-VOLT STORAGE BATTERY**  
Rated at 20 Amp.-Hours. Model 20-2. Rechargeable. Compact nonspill construction. Lightweight polystyrene container, 3x4x5 1/2". Shipped dry, uses standard electrolyte. Shipping Weight 3 lbs. NEW, each..... **\$2.79**



TERMS: 25% Deposit with order, balance C.O.D. -or- Remittance in full. Minimum order \$5.00 F.O.B. NYC. Subject to prior sale and price change

## G&G RADIO ELECTRONICS COMPANY

45-47 Warren St. (2nd Fl) New York, N.Y. 10007 Ph. 212-267-4605

# SPECIAL SALE

We are clearing out our stock of excessive inventory and discontinued material at substantially reduced prices. All items are brand new. Offer subject to prior sale.

## AUDIO AMPLIFIER HS 1000 NF

1.4 Watt output. For receiver or low level modulator. Input: 8.5 kOhms, 2 mV. Output: 5-15 Ohms (no output transformer needed). Freq. range: 300-5500 Hz. 12 V/10 — 200mA. Two transistors, one diode, two power transistors. 2" x 1 1/2" x 1". Regular \$14.30. Now \$9.95

## REGULATED POWER SUPPLY HS 1000 N

110/115/220 VAC, 50/60 Hz. Regulated output: 12 VDC/500 mA & 25 VDC/200 mA. Automatic overload protection. Ten transistors, four zeners, 12 diodes. 4" x 4" x 2 1/4". Regular \$50.88. Now \$39.95

## VOLTAGE REGULATOR HS 1000 N — 12 V

Complete regulator circuit. Input: 20 VAC/600 mA. Output: 12 VDC/500 mA. Five transistors, two zeners, six diodes. 2" x 4" x 1". Regular \$25.58. Now \$15.95

## 100 kHz CRYSTAL CALIBRATOR HS 1000 E

High impedance, square wave output. Usable well above 30 MHz. Two transistors, one crystal. 12 V/ 2 mA. 2" x 2" x 1 1/2". Regular \$19.53. Now \$11.95

## VOX/ANTI-TRIP MODULE HS 1000 S

Complete VOX with PTT override and rx anti-trip. VOX input: 5 kOhms, 15 mV. Anti-trip input: 2.5 kOhms, 15 mV. VOX hold: 1.5 sec. 12 V/60 mA. Four transistors, five diodes, one 4PDT relay. 3" x 2" x 1 3/8". Regular \$17.60. Now \$13.95

## NSFM/RTTY DEMODULATOR

### HS 1000 RF

Crystal discriminator type. Input: 9 MHz, 1 V. Output: single channel (NSFM) or dual channel (RTTY), 0.8 V/kHz, 5 kOhms. 12 V/6 mA. Five transistors, two diodes, one crystal discriminator. Regular \$37.68. Now \$26.95

## SOLID STATE

### TWO METER TRANSMITTER STT 12

20 Watts peak input. High power AM modulator included. Can be easily adapted to FM. Crystal freq. 48... MHz. (Crystal not furnished). Emitter follower input for external VFO. RF output stage protected against overload. Modulator input 6 kOhms, 5 mV. Can be used as receiver audio (5 Ohms, 6 Watts output). 18 V/1.2 A. 5" x 2 1/2". Regular \$75.00. Now \$64.95

## VFO HS 1000 VS

Range: 5-5.5 MHz. In heavy aluminum container, styrofoam — filled. Output: 500 Ohms. Complete with HS 1000 NS — 12 V voltage regulator. (No scale furnished). Lo-pass filter. Regular \$52.80. Now \$42.95

## TWO-TONE

### AUDIO GENERATOR HS 1000 T

Two separate audio oscillators 1 and 1.8 kHz. For SSB transmitter tune-up, CW side-tone, etc. Output 0-25 mV. Two transistors. 12 V/2 mA. 4" x 1 1/2" x 1/2". Regular \$14.30. Now \$11.95

## VFO VS 48

Range: 48-48.6667 MHz for 320° shaft rotation (no scale furnished). Freq. stability (min.): 1 x 10 — 5°C, 100 Hz/V. Output: 50 Ohms, 1 V. In aluminum housing 1 3/8" x 2 3/8" x 1 3/8". 12-18 V/15 mA. Regular \$50.00. Now \$39.95

## TWO METER MOSFET CONVERTER SUU

144-146 MHz. I.F. 9 MHz. Noise figure: 1.2. Gain 25 dB. I.F., image rejection: 100 dB min. AGC: 46 dB. Output: 500 Ohms, matches KVG crystal filters. VFO input: 18.5-20.5 MHz. Aux. output for tx: 135-137 MHz. 12 V. 3 3/4" x 2". Two MOSFETs, two bipolar, two zeners, four diodes. Regular \$70.00. Now \$59.95

## TWO METER MOSFET CONVERTER UE2

144-146 MHz. I.F. 28-30 MHz. Noise figure: 0.8. Gain 30 dB (24 dB aux. output). I.F., image rejection: 100 dB min. AGC: 46 dB. Aux. CO output: 116 MHz. 9-18 V/30 mA. Two MOSFETs, two bipolar, four diodes, two zeners. Regular \$70.00. Now \$59.95

## 432 MHz STRIPLINE CONVERTER S7010

Noise figure: 5 dB. I.F. 28-30 MHz. 12 V. Regular \$45.00. Now \$35.95

## HC 6/U CRYSTALS

From KVG: 19,500, 26,000, 33,000, 37,833, 43,875, 46,000, 48,000, 48,480, 53,700, 72,150, 84,533, 96,000. Regular \$4.50. Now \$2.95

## TWO METER SSB TRANSMITTER

P.C. board and building instructions. Regular \$4.95. Now \$3.95

## TWO METER SSB RECEIVER

P.C. board and building instructions. Regular \$4.95. Now \$3.95

All items above add 25¢ postage. Items over \$25.00 add 30¢ insurance.

Full refund for items sold out.

## 144/432 MHz TRANSVERTER TTV 1270

Transmitter input: 50 mW to 1.2 Watts. 60% efficiency. Receiver noise figure: 8. No antenna switching. Simply connects between two meter transceiver and 432 MHz antenna. Needs 12 V in "receive" only. See review in July 1971 QST.

Introductory price: \$37.50

SPECTRUM  
INTERNATIONAL  
BOX 87 TOPSFIELD  
MASSACHUSETTS 01983

# flea market



■ **RATES** Commercial Ads 25¢ per word; non-commercial ads 10¢ per word payable in advance. No cash discounts or agency commissions allowed.

■ **COPY** No special layout or arrangements available. Material should be type-written or clearly printed and must include full name and address. We reserve the right to reject unsuitable copy. **Ham Radio** can not check out each advertiser and thus cannot be held responsible for claims made. Liability for correctness of material limited to corrected ad in next available issue. Deadline is 15th of second preceding month.

■ **SEND MATERIAL TO:** Flea Market, Ham Radio, Greenville, N. H. 03048.

**EXCLUSIVELY HAM TELETYPE** — 19th year, RTTY Journal, articles, news, DX, VHF, classified ads. Sample 30¢. \$3.00 per year. Box 837, Royal Oak, Michigan 48068.

**SURPLUS MILITARY RADIOS**, Electronics, Radar Parts, tons of material for the ham, free catalogue available. Sabre Industries, 1370 Sargent Ave., Winnipeg 21, Manitoba, Canada.

**TELETYPE #28 LRB4** reperfector-transmitter "as is" \$100; checked out \$175. Includes two 3-speed gearshifts. Alltronics-Howard Co., Box 19, Boston, Mass. 02101. 617-742-0048.

**CINCY STAG HAMFEST:** The 34th Annual STAG Hamfest will be held on September 26, 1971 at Stricker's Grove, Compton Road, Mt. Healthy, Cincinnati, Ohio. Door prizes each hour, raffle, lots of food, flea market, model aircraft flying, and contests. Identify Mr. Hamfest and win prize. \$5.00 cost covers everything. For further details, contact, John Bruning, W8DSR, 6307 Fairhurst Avenue, Cincinnati, Ohio 45213.

**TECH MANUALS** — \$6.50 each: R-274/FRR, TS-34A/AP, LM-21, BC-779B, SP-60JX, URM-25D, CV-591A/URR. S. Consalvo, W3IHD, 4905 Roanne Drive, Washington, DC 20021.

**"DON AND BOB" NEW GUARANTEED GOODIES.** Motorola HEP170 Epoxy Diode 2.5A/1000PIV 39¢; Amphenol PL259 SO239 3.95/10; Ham-M Rotor 99.00; TR44 59.95; Quote new discontinued tubes; Industrial surplus list; Quote Drake, Galaxy, Hy-Gain, Mosley, Tri-Ex, 2-Meter Transceivers. Tempo, Kenwood write specifications. Prices collect. Mastercharge, BankAmericard. Warranty guaranteed. MADISON ELECTRONICS, 1508 McKinney, Houston, Texas 77002.

**SAVE MONEY** on parts and transmitting-receiving tubes. Foreign-Domestic. Send 25¢ for giant catalog. Refunded first order. United Radio Company, 56-HR Ferry Street, Newark, N.J. 07105.

**DON'T BUY QSL CARDS** from anyone until you see my free samples. Fast service. Economical prices. Little Print Shop, Box 9848, Austin, Texas 78757.

**FOR SALE:** Nixies, new, 0 to 9. B-5440, B-5991, \$5.00 each. H.P. 512A Freq. Converter 0-100 MHz; Hughes Memo-Scope 104; H.P. P.C. Mixers: Model 10534B 50K-150MHz. Philip Lupi, 1225 Hillside Place, North Bergen, N. J.

**TOROIDS! LOWEST PRICE ANYWHERE.** 40/\$10.00 POSTPAID (5/\$2.00). Center tapped, 44 or 88mhz. 32KSR page printer, reconditioned, perfect \$225. MITE UGC41KSR page printer, reconditioned, \$250. Model 28 sprocket to friction kit, \$25. Model 15KSR, \$65. Matching RA87 P.S. unused, \$5. Sync motors, \$7. 14TD 60 speed, \$25. 14DPE tape punch, \$15. HP 200CD audio oscillator, \$75. 11/16" reperfector tape, 40/\$10.00. Model 33ASR complete, \$650. Stamp for listing. Van W2DLT, 302H Passaic, Stirling, N. J. 07980.

**"MOORY ELECTRONICS COMPANY"** wants your business. Write or call "HOSS TRADER" ED MOORY for the best deal on new or used equipment: Factory Authorized Dealer for Drake, Hy-Gain, Galaxy, National, Mosley, Rohm, Varitronics, Regency, Tri-Ex, E-Z Way, and others. **NEW EQUIPMENT:** New Rohm 50 Ft. Foldover Tower Prepaid, \$235.00: Ten-Tec PM-3A, \$65.00: Mosley MCQ-10 Quad, \$53.00: MCQ-15 Quad, \$53.00. **USED EQUIPMENT:** TR-4, \$429.00: 74-XB, \$359.00: RV-3 VFO, \$59.00: SB-101, \$325.00: Johnson SSB Adaptor, \$149.00: NC-200 and AC supply, \$259.00: HW-32A and AC supply, \$135.00: Package Prices Too! Try us! MOORY ELECTRONICS CO., P. O. Box 506, DeWitt, Arkansas 72042, Phone (501) 946-2820.

**QSL'S — BROWNIE W3CJI** — 3111B Lehigh, Allentown, Pa. 18103. Samples 10¢. Cut catalogue 25¢.

**MECHANICAL FILTERS:** 455 Khz. 2.1 Khz \$18.95. 300 Hz \$22.95. J. A. Fredricks, 314 South 13th Ave., Yakima, Washington 98902.

**11/16" Reperf Tape 3/\$1.00**, 1W 50 MHz FM portables \$25 or \$45 with Ni-Cads, Lampkin 105-B \$135. Trionic Alarm Co., Box 7243, Salem, Ore. 97303.

**NEW SIGNAL-ONE**, unopened carton, warranty, latest model. Sell/trade, want Collins, Drake, Don Payne, K4ID, Box 525, Springfield, Tenn. 37172. Nites (615) 384-5643, days (615) 384-5573.

**WORLD QSL BUREAU** — see ad page 90.

**JAMAICA (6Y5)** Reciprocal licensing authorizations are now available to W/K amateurs. Write Ham Radio Magazine for application.

**TRI-STATE PICNIC**, Pulaski Park, West Gloucester, RI (off Rt. 44), 9:30 a.m. to sunset, September 19. Trunk sales. Bring your own picnic. Talk in K1ZKR on 50.36. RI Swamp Yankee Amateur Radio Club & Eastern Conn. Amateur Radio Club.

**WANTED: ELMAC EF68 XMTR**, PMR-8 receiver and matching mobil power supply. State price and condition of equipment. Write: C. E. Smith, P. O. Box 1224, Rosamond, California 93560.

**SELL SR150** with HBAC. Factory DC and mobile mount. Real good. HW100, HP23 AC with Swan dial, like new, \$270. GT550 and matching AC and speaker, almost new, \$350. HW12A, AC HP23 \$125. All FOB and with manuals. Richard Schark, 417 North Ferry Ottumwa, Iowa 52501.

**THE SOUTH JERSEY RADIO ASSOCIATION** will sponsor its annual gala Hamfest on Sunday, September 12, 1971, 11:00 a.m. to 5:00 p.m. at Molia Farm, Malaga, New Jersey (Rain date — September 19th). Picnic area, parking facilities, many prizes, swap shop and much more! Check Frequency 3.930, 50.3 and 145.3 MHz. Molia Farm is near intersection of Route 40 and 47 near Malaga, New Jersey. Advanced donation is \$2.00 per family until September 6. General donation at the gate is \$3.00 per family. Obtain advance tickets from Joe Duffin, W2ORA, 247 Kings Highway, West, Haddonfield, New Jersey 08033. Checks should be made out to South Jersey Radio Association.

**TELL YOUR FRIENDS** about Ham Radio Magazine.

# YOU CAN COUNT

ON

# DYCOMM



With the exciting new PSU-13  
Frequency Divider/Prescaler  
you can extend the range of many  
Frequency Counters to 240 MHz or more!

- WORKS WITH ALL POPULAR COUNTERS
- ADVANCED DESIGN INCLUDES MSI CHIP
- HIGH OUTPUT LEVEL
- USE WITH COMMUNICATION RECEIVER  
IF YOU HAVE NO COUNTER
- READY TO OPERATE — NOT A KIT

#### SPECIFICATIONS

Range: 10-240 MHz minimum, 4-275 MHz typical.  
Sensitivity: 100 millivolts @ 180 MHz guaranteed,  
150 millivolts typical @ 225 MHz.  
Dimensions: 4" L x 4" W x 2 3/4" H including in-  
put/output jacks.  
Power Required: 110 VAC 60 HZ @ 8 watts.  
Weight: 1 1/4 lbs.  
Max. Input: 2V RMS  
Min. Output: 2V P-P open circuit.

The DYCOMM Model PSU-13 is a high-sensitivity digital VHF frequency divider/prescaler with a divide-by-ten scaling factor. The PSU-13 operates over a minimum frequency range of 10-240 MHz. Inherently sensitive, the PSU-13 will properly operate throughout its frequency range with input levels under 500 millivolts, and is guaranteed to operate at 180 MHz with an input level of 100 millivolts.

Complete with self-contained 110 VAC 60 HZ power supply, the PSU-13 weighs less than 1 1/2 ybs. Attractively finished in modern flat black with white lettering and power cord, the PSU-13 is a natural complement for any existing frequency counter or communications equipment.

**ONLY \$89.95**

ORDER TODAY FROM

**DYNAMIC COMMUNICATIONS INC.**

948 AVENUE E RIVIERA BEACH, FLORIDA 33404  
305-844-1323

**SAROC Seventh Anniversary January 6-9, 1972.** Advance Registration \$9.00 per person entitles registrant to SAROC Special room rate \$12.00 per night plus room tax, single or double occupancy, effective January 4 thru 12, 1972; tickets for admission to technical seminars, **Ham Radio Magazine** and **SAROC Happy Hour Thursday, Swan Electronics** and **SAROC Social Hour Friday, Hy-Gain/Galaxy Electronics** and **SAROC Champagne Party Saturday, Buffet Hunt Breakfast, Sunday.** Ladies who register will receive transportation for shopping tour, luncheon and Crazy Hat program at the New Union Plaza Hotel downtown Las Vegas, Saturday. Advance Registration, with Flamingo Hotel mid-night show, two drinks, \$14.50. Advance Registration, with Flamingo Hotel Dinner Show (entrees Brisket of Beef or Turkey) no drinks, \$17.50. Tax and Gratuity included except for room. Frontier Airlines SAROC group flight package planned from Chicago, St. Louis, Omaha, Denver, send for details. Fifth National FM Conference, ARRL, WCARS-7255, WPSS-3952, MARS, meetings and technical sessions scheduled. Accommodations request to Flamingo Hotel, Las Vegas, Nevada before December 15th. Advance Registration to SAROC, Southern Nevada ARC, Inc., Box 73, Boulder City, Nevada 89005, before December 31st.

**WANTED Ham Radio back issues** April, July, 1969, April, 1970. Good condition. Top payment, W7AGE, 10724-11th Avenue N.W., Seattle, WA 98177.

**LOOKING FOR FULL-TIME EMPLOYMENT?** If you're a self-starter able to sell excellent Electronic Courses, there are jobs available throughout America and Canada. Write to Bill Welsh (W6DDB), 234 S. Orchard, Burbank, CA 91506.

**QSL. SECOND TO NONE.** Same day service. Samples 25¢. Ray, K7HLR, Box 331, Clearfield, Utah 84015.

**ASK FOR FREE LIST** of used Ham gear or for prompt personal attention on any new gear. Mail your order direct to VanSickle Radio, W9KJF, Indianapolis, Indiana 46205. 40 years experience.

**WANTED: TAYLOR 3106/3107** wind and speed direction indicators. Quote condition and price. O. J. Supliski, WB2SLQ, 53 Hayward St., Yonkers, N. Y. 10704.

**TELETYPE GEAR:** SASE for list. Kleinschmidt RO, 100 wpm \$50.00. Telecommunications, Box 4117, Alexandria, Va. 22303.

**VHF NOISE BLANKER** — See Westcom ad in Nov., Dec. '70 and Mar. '71 Ham Radio.

**OLD TIME RADIO SHOWS.** SASE. Box 724, Redmond, Washington 98052.

**PRINT CIRCUITS:** oscillator, dividers chains, counter control unit, amplifiers, and 100 KC oscillators; wire and tested or kits. Write for catalogue: K Enterprises, 1401 N. Tucker, Shawnee, Okla. 74801.

**SALE: RCVR RCA CRM-66A** tunes 80kc to 30mc sliderule dial triple conversion provision for mechanical filters AM/SSB/CW. Excellent condition. Cost over \$1000. Best offer takes it COD. Foss, 1517 N. Main, Walnutcreek, California 94596.

**WANTED R390, R390A, R389, 51J4, 51S1, Rcal, Nems, Clarke, Marconi receivers.** SWRC, P. O. Box 10048, Kansas City, Missouri 64111.

**ORIGINAL EZ-IN DOUBLE HOLDERS** display 20 cards in plastic, 3 for \$1.00, 10 for \$3.00 prepaid. Guaranteed. Patented. Free sample to dealers. Tepabco, John K4NMT, Box 198R, Gallatin, Tenn. 37066.

**TWO METER FM SOLID STATE** Power Amplifier. 25 Watts RF output with 1.5 watts RF input. 12 db minimum power gain. Price \$69. Send orders or inquiries to RF Devices, P.O. 6850, San Antonio, Texas 78209.

**MARN Mosaic Amateur Radio Net** an association of Masonic amateur radio brethren and members of the appendant Orders. Dedicated to service to mankind and international good will. Write for information. MARN, 11049 Avenue E, Chicago, Illinois 60617.

# TYMETER®

"Time At A Glance"



# 24 HOUR CLOCK



≅100-24H

## \$16

Made in U.S.A.

At Your Dealer, or  
DIRECT FROM

Walnut or ebony plastic case.  
4"H, 7 3/4"W, 4"D. 110V 60  
cy. Guaranteed One Year.

### PENWOOD NUMECHRON CO.

TYMETER ELECTRONICS

7249 FRANKSTOWN AVE. PITTSBURGH, PA. 15208

## R F TOROIDS

PREWOUND RF & OSC SET FOR ARRL RCVR.  
The Pair ..... \$3.00 PPD.  
Unwound Cores as above only. .... 50 ea PPD.

**TOROID ASSORTMENT FOR THE SERIOUS  
BUILDER — 20 CORES — Only \$3.50 PPD.**

### COLOR CODE

1-C Core	50KHZ- 5MHZ	Blue
5-E Core	500KHZ-30MHZ	Red
1-TH Core	2MHZ-40MHZ	White
2-Q1 Core	500KHZ-30MHZ	Red & Blue
1-Q2 Core	10MHZ-90MHZ	Black
9-SF Core	10MHZ-90MHZ	Yellow
1-Misc. Core		

**We Bought Thousands to Bring You This Buy! !**

## CIRCUIT BOARD ASSEMBLY



Unusual Find!!! Digital Assembly. 3 Boards mounted on a frame with panel. Fixed center board. Outside boards are hinged and swing out. Use frame for breadboard assemblies. Panel 2 3/4 x 8 3/8. Depth 1 1/2". All parts easy to remove. 300 1N658, 77-114 Sw. Sxistors, 1N754 Zeners, Unijunctions, Tanalums, & much more.

Board #1 - As above ..... \$4.00  
Board #2 - As above + 1 Clare Mercury wetted relay module, #HGSM1001 ..... \$5.50  
Board #3 - As above + 3 Clare Mercury wetted relay modules, #HGSM1001 ..... \$6.50

SHIPPING WEIGHT 5 LBS.

## COPPER CLAD LAMINATES

G10 EPOXY GLASS  
1 oz. Copper 1 Side

Pkg. Quant.	3/64"	1/16"	3/32"	1/8"
1 9x12"	\$1.50	\$2.50	\$3.50	\$5.00
2 6x9"	"	"	"	"
4 4 1/2 x 6"	"	"	"	"
6 3 x 4 1/2"	"	"	"	"

This item postage prepaid.

Every order unconditionally guaranteed.

## TRIPRIO

2614 Lake Shore Dr. *Electronics* LaCrosse, 2, Wis. 54601

**NEW**

# SECRET WEAPON FOR CONTEST'ERS

**PROGRAMMABLE!****REPROGRAMMABLE!!**

## EK-402 THE ULTIMATE CW KEYSER

### FEATURES:

- Instantly programmable and reprogrammable message memory
- Instant transfer between manual and program keying
- Exact speed and weight match between manual and automatic keying
- 20 character memory in three contest groups
- Automatic variable repeat cycle
- Famous Curtis keying system
- All controls on the front panel

### TYPICAL PROGRAM SET:

- 5NN 03 DE W6HVN K
- CQ TEST CQ TEST DE W6HVN K
- DE W6HVN K

### SPECIFICATIONS:

- 256-bit MOS Read/Write Message Memory
- 1-30 Second Memory Repeat Cycle
- 8-50 WPM Calibrated Speed
- Iambic Keying, Paddle or Squeeze Key
- Variable Character Weight
- Perfect Dot Memory
- 100% "Linear Proof"
- Built-in Sidetone and Speaker; External Volume and Pitch Controls
- Reed Relay keys grid block, cathode keyed or solid state rigs
- Semiconductor Complement: 17 IC's, 6 Transistors, 20 Diodes
- Brushed Panel, Beautiful Heavy-Duty Cabinet
- Furnished ready to go; use your paddle

### PRICE:

**\$289.95**  
COMPLETE, PPD

**CURTIS** ELECTRO  
DEVICES

Order by mail or telephone

MASTERCHARGE &amp; BANKAMERICARD

Write for quote on Trades

**AMRAD SUPPLY: Western Headquarters for Contest'ers & DX'ers**  
1025 Harrison Street, Oakland, California 94607 • Phone 415/451-7755



**HOOSIER ELECTRONICS** Your ham headquarters in the heart of the Midwest where only the finest amateur equipment is sold. Authorized dealers for Drake, Hy-Gain, Regency, Ten-Tec, Galaxy, and Shure. All equipment new and fully guaranteed. Write today for our low quote and try our personal friendly Hoosier Service. **HOOSIER ELECTRONICS**, Dept. G, R.R. 25, Box 403, Terre Haute, Indiana 47802.

**RADIO SOCIETY OF ONTARIO CONVENTION 1971.** Hosted by Guelph Amateur Radio Club. October 22-23, 1971. Holiday Inn, Hespeler, Ontario. Jcts. Hwys. 401 and 24. 46 miles from Toronto, 174 miles from Windsor. For further details contact D. Gore, VE3DGA or R. Jenning VE3CZE, Box 342, Guelph, Ontario.

**MANUALS:** \$5 each, Receivers, XMTRS. Ratt test equipment, R390/URR, R388/URR, AN/GRC26A, AN/MRC2-D and numerous others. SASE for list. B. Brunges, 581 Continental Dr., San Jose, Calif. 95111.

**FOR SALE: GALAXY V, \$230;** speaker console \$18, AC supply \$85, HW-16 \$85. All mint. Steve Harbin, Box 431, Clinton, S. C. 29325.

**THE PUGET SOUND COUNCIL** of Amateur Radio Clubs will issue an operating achievement award signed by Governor Daniel J. Evans, for contacts made during Washington State Amateur Radio Week, September 4th to 12th, 1971. Out-of-state amateurs must work ten Washington stations, and in-state amateurs must work twenty other Washington stations during this week. Send list of stations worked, their locations, dates of contacts, and your name, call, and address to: The Puget Sound Council of Amateur Radio Clubs, 12306 80th Avenue East, Puyallup, Washington 98371. An SASE would be appreciated.

**VIRGIN ISLANDS TRANSMITTING AND LISTENING SOCIETY (VITALS)** will conduct a minidexpedition during the period 9-17 October to PJ8/FS7/VP2 working/MM as well on 20-15-10 CW/SSB. QSL sase to Command Communications, Box 3374, St. Thomas, VI 00801. Principals are: KV4BV, KV4EY, KV4FR and other possibles.

**AUDIO FILTERS:** Knock down that background noise. KOJO SSB, AM, and CW filters do the job. Write for free brochure and see how serious DX boys hear them. KOJO, Box 7774, 741 E. Highland Ave., Phoenix, Arizona 85011.

**TOROIDS 44 and 88 mhy.** Unpotted, 5 for \$1.50 ppd. W. Weinschenker, Box 353, Irwin, Pa. 15642.

**THE AMATEUR RADIO CLUBS** of New Mexico will sponsor the New Mexico HAMVENTION 1971 on September 17, 18 and 19, 1971. Convention headquarters will be the Sheraton Motor Hotel on East Highway 66, Albuquerque, New Mexico. The Program: Antenna Session, SSB, LASER Communications, DX, QCWA, Traffic, VHF/FM., Ladies Luncheon & Fashion Show, AREC/RACES, MARS, Manufacturers Displays, Banquet with top speakers. Many prizes: Flea Market/Swapfest all day Sunday. Talk-in Frequencies — 3940 — 7255 — 146.34/146.94. Pre-registration — \$8.50, (includes banquet meal) at door \$12.00. Contact: N. M. HAMVENTION, Box 14381, Albuquerque, N. M. 87111.

**COLLINS 75A** — Receivers Tuning Knob, 6 to 1 ratio, \$8.00 Postpaid. W6YO, 1416 7th Avenue, Delano, California 93215.

**NOVICE CRYSTALS:** 40-15M \$1.60; 80M \$2.10. Free flyer. Nat Stinnette Electronics, Umatilla, FL 32784.

**THE FOUNDATION FOR AMATEUR RADIO, INC.,** an organization consisting of 27 amateur radio clubs all located in the greater Washington, DC, metropolitan area, will hold its annual HAMFEST on Sunday, 24 October 1971 from 10 a.m. until 5 p.m. at the Gaithersburg Fairgrounds in nearby Gaithersburg, Maryland just off Interstate 75.

**YOUR AD belongs here too.** Commercial ads 25¢ per word. Non-commercial ads 10¢ per word. Commercial advertisers write for special discounts for standing ads not changed each month.

## NEED CRYSTALS?



We can supply crystals from 2KHz to 80 MHz in many types of holders.

### SPECIALS

Color TV crystal (3579, 545KHz) wire leads	\$1.60	4 for \$5.00
100 KHz frequency standard crystal (HC 13/U)	4.50	
1000 KHz frequency standard (HC6/U)	4.50	
Any CB crystal, trans, or rec. (except synthesizer crystals)	2.50	
Any amateur band crystal in FT-243 holders (except 80-160 meters)	1.50	4 for \$5.00
80 meter crystals in FT-243 holders	2.50	

We have in stock over six million crystals which include types CR1A/AR, FT243, FT241, MC7, HC6/U, HC13/U, HC25/U, HC18/U, etc. Send 10¢ for our 1971 catalog with oscillator circuits, listing thousands of frequencies in stock for immediate delivery. (Add 10¢ per crystal to above prices for shipment 1st class mail; 15¢ each for air mail.)



Special Quantity Prices to Jobbers and Dealers.

**ORDER DIRECT** with check or money order to

2400H Crystal Drive  
Fort Myers, Florida 33901

## KOJO AUDIO FILTERS FOR SSB AND CW

The KOJO audio filters can greatly improve reception on all receivers, even the most sophisticated receivers. Large amounts of high-frequency hiss, background noise and sideband bckshot can be removed.

The SSB filter is of a low pass configuration, designed with a sharp cutoff to provide a rejection of better than 30 decibels at all ham band frequencies above approximately 3500 Hz. The filter is specifically designed to be placed in a low-impedance line for earphones or speaker.

The CW filter has a spot frequency of 780 Hz and a passband of 1100 Hz with a reference level, 40 decibels below the design frequency. The peak of the passband is 100 Hz wide at the —3 decibel reference points. The CW filter is specifically designed for low-impedance input and high-impedance output. High-impedance crystal earphones are recommended. However, with low impedance earphones a small auxiliary amplifier or impedance matching transformer may be used.

KOJO filters are made up of top grade coils and components and are available in easy to assemble kit form with simplified instructions, or in a deluxe model. The deluxe model is completely built up and ready for use and is enclosed in a Gray cabinet<sup>®</sup> with convenient IN-OUT switch.

Try a KOJO and see what you can hear now and could not clearly hear before. \*Slight cabinet layout changes subject to take place without notice.

**CW Filter Kit \$ 7.95** **Deluxe CW Filter \$15.95**  
**SSB Filter Kit \$11.95** **Deluxe SSB Filter \$19.95**

All filters shipped postpaid. Arizona residents add 4% sales tax.

**THE J. LYNCH CO.**  
P. O. Box 7774, Phoenix, Arizona 85011

# CIRCUIT BOARDS in 10 Minutes

with just a pair  
of scissors



## Pressure Sensitive Copper Foil Tape and Sheet

- No Chemicals — No Mess
- No Layout Restrictions
- Full Instructions
- Simple Circuit Changes
- Flexible — Conforms to any surface shape
- Use for Crossovers — Either insulate with Teflon or Mylar or use other side of board.

5 feet 1/16" or 1/8" wide ..... \$ .60  
100 feet 1/16" or 1/8" wide ..... \$9.95

Sheets 6" x 12" — \$2.50 each  
or 5 for \$9.95

Order Now

### Cir-kit

91 State Street  
NORTH ADAMS, MASS. 02147

## SURPLUS CRYSTAL FILTERS



CRYSTAL  
DISCRIMINATOR  
MODEL AB-1  
CENTER FREQ.  
10.7 MHz  
\$ 10  
L 1.0 W .75 H 1/2

NOTE: External diode detector is req.  
PEAK TO PEAK MIN. 50 KHZ  
For min. distortion, use up to  
± 12 kHz deviation.  
CIRCUIT INFORMATION INC.

10.7 MHZ — XTAL DISCRIMINATOR — MODEL AB-1C  
TO ± 15 KHZ DEVIATION — TEST CKT INCL. \$ 16

6 XTAL — 11.5 MHZ — 36 KHZ, 60 DB BW — MOD. EL-3A \$ 14  
60 DB BW 100 KHZ MAX. — 50 OHM TERMINATIONS  
MATCHING XTAL DISCRIMINATOR — MOD. AL-1 \$ 10  
TO ± 15 KHZ DEVIATION — DOPE SHEET INCL.

NEW **NARROW BAND** **CRYSTAL SYMMETRICAL**

**FM**  
MODEL M2A  
\$ 22

6 CRYSTAL  
CENTER FREQ. 10.7 MHZ  
6 DB BANDWIDTH 15 KHZ  
60 DB BANDWIDTH 40 KHZ  
ULTIMATE REJECTION 80 DB  
IN & OUT TERMINATION 1K OHMS  
Some size 05 MSA except height is 1.0 inch

**SSB**  
2 3/8 L  
1.0 W  
3/4 H

NEW  
MODEL M9A \$ 29.95

CENTER FREQUENCY 9 MHZ  
6 DB BANDWIDTH 2.8 KHZ  
60 DB/6 DB RATIO 1.8/1  
ULTIMATE REJECTION 100 DB  
IN & OUT TERM. 200 OHMS

FREE CATALOG—FILTERS AND CORES—NEW & SURPLUS

CARBONYL "E" **TOROID CORES** NEW

2" DIA. T-200-2 EACH \$2.75 OR 3 FOR \$7.00  
69 DIA. T-68-2 EACH 50¢ OR 7 FOR \$2.75  
50 DIA. T-50-2 EACH 45¢ OR 8 FOR 2.75  
MINIMUM POSTPAID ORDER 2.75 TOTAL

J. T. McCULLOUGH, W0BHG

**E. S. Electronic Labs**  
P.O. BOX 434 EXCELSIOR SPRINGS, MO. 64024

## NEW! IC KEYS



Only  
\$77.50  
PPD  
USA

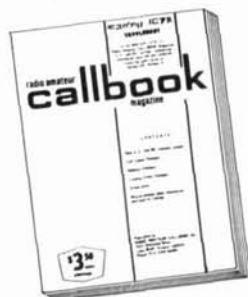
- Self completing dots and dashes.
- Dot memory for easy keying.
- Precision feather-touch key built-in.
- Sidetone oscillator and speaker built-in.
- Relay output keys 300-V @ 100-ma.
- Keyed time base. Instant start.
- 5-50 wpm. Perfect dot-dash ratio.
- Send QSL or postcard for free brochure.

# PALOMAR ENGINEERS

BOX 455, ESCONDIDO, CAL. 92025

## EXTEND YOUR SUMMER CALLBOOK'S USEFUL LIFE

SUPPLEMENT  
TO THE  
CALLBOOK



**\$3.50**  
PER  
POSTPAID

Published  
Sept. 1

## FALL SUPPLEMENT TO THE SUMMER CALLBOOKS

Contains all new ham QTH activity in both  
U.S. and DX CALLBOOKS,  
Since Summer '71 issues.

- NEW LICENSES
- ADDRESS CHANGES
- CLASS CHANGES
- SILENT KEYS
- CALL LETTER CHANGES

Order direct from publisher.

WRITE FOR  
FREE  
BROCHURE!



RADIO AMATEUR  
**callbook** INC

Dept. E 925 Sherwood Drive  
Lake Bluff, Ill. 60044

# TWO METER FM HQ

prompt delivery on the

## NEW DRAKE 2-METER XCVRS

ML/2F



12 channels  
over 10 watts

**\$329.95**

HOME or MOBILE  
117v AC or 12v DC

TR-22



6 channels  
over 1 watt

**\$199.95**

PORTABLE or MOBILE  
BATTERY or 12v DC

ALSO COMPLETE LINES HAM SUPPLIES — ALL BRANDS — NEW — USED  
TRADES — TERMS. Xcvrs, Rcvrs, Xmtrs, Linears, Towers, Beams, Antennas,  
Accessories, Microphones, Police/Fire Monitors, Tubes, etc., etc.

HAM — CB — MARINE — TWO-WAY — METAL-LOCATORS  
SSB — CW — AM — FM — RTTY — SSTV — CCTV — MATV

FOR FREE CATALOGS, WHOLESALE PRICES and USED GEAR LIST

WRITE Chuck, W8UCG

## ELECTRONIC DISTRIBUTORS, INC.

MIDWEST HAM HEADQUARTERS FOR OVER 32 YEARS!

1960 PECK ST., Tel. (616) 726-3196, MUSKEGON, MICH. 49441

### USED TEST EQUIPMENT

All checked and operating unless otherwise noted, FOB Monroe. Money back (less shipping) if not satisfied.

Alden 419-Precision Graphic Rec.	485
Beckman 5500-Univ. counter-100kHz	125
Fluke Monotronics 207-1 Precision VLF Receiver-Comparator transistorized	640
GR720A-Freq. Mtr. 10-300mHz	72
GR821A-Twin-T Imp. Bridge	235
GR1419K-Prec. Decade Capacitor	120
GR1432M-Prec. Decade Resistor	75
GR1603A-Z-Y bridge	176
EG&G-Millimike 707-Lab scope to 1000mHz	525
HP175A-50mHz scope-main frame only	450
HP330C-Distortion Anal. 20Hz-20kHz	285
HP525A-10-100mHz plug-in for above	85
HP525B-100-220mHz plug-in for above	95
HP525C-100-500mHz plug-in for above	225
HP526B-Time interval plug-in for above	45
HP508A-10-500mHz stand sig gen	400
Meas 82-20Hz-200kHz, 80kHz-50mHz stand sig gen	275
NE Eng 14-20C-10mHz freq counter (as is less time standard)	180
NE Eng 14-20C-complete, checked	295
NE Eng 14-20C-W/plug-in to 100mHz	355
NE Eng 14-21C-10-10mHz conv for abv	85
NE Eng 14-22C-100-220mHz for abv	95
NE Eng 14-24C-Time interval conv for abv	45
Polarad R microwave rcvr (plug-ins avail)	275
Tektronix 513D-20mHz scope	275
Servo Corp. Servoscope 1100 C tester	280
TS810/U Scope calibrator	72
URM25E-10kHz-50mHz stand sig gen	195
USM50-22mHz time base scope	145
USM105A-Mil version HP160 scope w/dual trace plug-in	550

(Send SASE for complete list)

**GRAY Electronics**  
P. O. Box 941 Monroe, MI 48161  
Specializing in used test equipment

### FREQUENCY STANDARD



Only  
**\$32.50**  
(less batteries)  
POSTPAID USA

- Precision crystal
- Fully guaranteed

- Markers at 100, 50, 25, 10 or 5 kHz selected by front panel switch.
- Zero adjust sets to WWV. Exclusive circuit suppresses unwanted markers.
- Compact rugged design. Attractive, completely self contained.
- Send for free brochure.

## PALOMAR ENGINEERS

BOX 455, ESCONDIDO, CA 92025

Transf. Pri. 115/220 Dual. Sec. Ea. 12V-30A \$14.25  
 16V-45A \$17.75  
 HS 33 Headset 600 Ohm Leather Headband . . . \$6.50  
 BB403 Nicad 4 Amp. . . . . \$1.95  
 RGB/AU Coax. 15' PL 259 Ea. End. . . . . \$1.49

Write for Free Catalog



2508 SOUTH MICHIGAN AVENUE  
 CHICAGO, ILLINOIS 60616  
 312 CALUMET 5-4750

AC Voltmeter 0-135 Volts — New Surplus \$1.00  
 Nickel-Cadmium Battery, 1.4V, 7.5 Amp. Hr. \$2.75  
 Teletype paper for Model 15, 3 copy, Box 12 rolls \$5.00  
 Crystal for BC-376/ART-13, 12.5 MHz \$3.95  
 FT243 xtals 50¢ each  
 8,100, 8,125, 8,200, 8,300, 8,600, 8,650 kHz  
 Xtal Socket for FT243 3/25¢

Catalogue 10¢  
**BOB-FRANK ELECTRONICS**  
 407 Ritter Rd. • Harrisburg, Pa. 17109

**ANNOUNCING  
 TWO NEW FREQUENCY STANDARDS**

Markers of 100, 50, 25, 10 and 5 KHz, selected by front panel switch. Zero adjust for WWV calibration, handsome cabinet, 100KHz crystal included and a six month warranty. Model 100-5PC, portable (battery operated) less batteries. Model 100-5PS for fixed station use (power line operated). \$28.95 each PPD. Write for brochure.

**BAKER & WINNAY**  
 420 Maplewood Ave., Springfield, Pa. 19064

**WORLD QSL BUREAU  
 NO POSTAL INCREASE**

QSLs forwarded to anywhere  
 Only 4¢ each

5200 Panama Ave., Richmond, CA USA 94804

**FREE  
 ONE YEAR OF  
 ham  
 radio**

A ONE Year subscription is \$6.00  
 THREE Years are only \$12.00  
 For the price of two years  
 you get 3

**HAM RADIO MAGAZINE**  
 GREENVILLE, N. H. 03048

*faultless*

**RTTY**

The world's first fully automatic  
**Phase-Locked Loop RTTY terminal unit.**

- Copies shifts from 100 to 1000 Hz automatically
- Auto-track for drifting signals
- Enters "mark-hold" when signal fades
- Input tone range switchable to operate with SSB transceiver audio
- Autostart and selective call available

Write today for detailed specifications

*Also see us for tone burst encoders for  
 reliable repeater access.*

**WCI**

PO Box 17, Schaumburg, Ill. 60172

Many thousands of you have become very familiar with the various Radio Society of Great Britain books and handbooks, but very few of you are familiar with their excellent magazine, **Radio Communication**.

It includes numerous technical and construction articles in addition to a complete rundown on the month's events in amateur radio. Surely a most interesting addition to your amateur radio activities.

We can now offer this fine magazine to you along with the other advantages of membership in the RSGB (such as use of their outstanding QSL Bureau) for \$9.60 a year.

**comtec**

Box 592 • Amherst, New Hampshire 03031

## CONNECTICUT HAMS

Visit Roger Miner's Surplus Electronics, 246 Naugatuck Ave., Milford, Conn. Ph. 877-0555. Nights 7 pm to 10 pm and all day Saturday. DRAKE TR-3 W/PS-\$350. Collins 75S1 W/NBR-\$300. HEATHKIT SB-200-\$165. SB-620-\$65. OP-1 Scope-\$90. H.P. 460b Wideband amp.-\$25, 210a Sq. W. Gen.-\$15, 522b-\$120. AMPEX FR-1100 Stereo tape rec.-\$350. 4-1000A Filament Trans 7.5 vac @ 42 amps, will run a pair-\$30. Amp filament chokes 3-30mcs 30 amps \$9.50. Johnson 15 amp rotary ind. 27uh-\$25. HIGH POWER HEAD-QUARTERS IN THE NORTHEAST. COME IN AND SEE US — K1DQV.

*The Roger S. Miner*

**SURPLUS ELECTRONICS COMPANY**

246 NAUGATUCK AVENUE • MILFORD, CONNECTICUT 06460

## ARIZONA SEMICONDUCTOR

QUALITY COMPONENTS

### 7-SEGMENT INCANDESCENT READOUT:



Bright, low current, 5 volt operation. May be driven directly by SN7447N 50,000 hour rating instructions included \$4.87ea

### DECIDIGIT-7:

Counter Building Block INCLUDES: 7-SEGMENT DIGIT SN7447N DECODER DRIVER SN7490N DECADE COUNTER HOOKUP INSTRUCTIONS only \$10.95

### SEMI - KITS :

save big money on projects with a Semi-Kit; includes all integrated circuits needed plus spec sheets no other parts included.

### FS-1 FREQUENCY STANDARD

(featured in Nov. 1968, QST)

INCLUDES:

(3) SN7490N

(4) MC845P

7 IC'S TOTAL

**\$13.49**

WB2MEX FREQUENCY COUNTER

(featured Aug. 1969, QST)

INCLUDES (14) SN7493N... \$26.95

OUR FREE CATALOG HAS CIRCUITS AND NEW IDEAS TOO! SEND FOR YOUR'S TODAY

PO BOX 112, GOODYEAR, ARIZ. 85338

**POSTAGE PAID**  
SPEC SHEETS INCLUDED

## TELEGRAPHERS WANTED - For membership in Morse Telegraph Club, Inc.

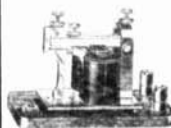
Non-profit - Historical - Fraternal Includes subscription to Dots & Dashes

Dues \$2 per annum

Write: Wm. H. King, GS&T

P. O. Box 56

Pasadena, Ca 91102



## TOROIDS — TELETYPE

Lowest prices anywhere!

88 mhy TOROIDS 40/\$10. Ppd. U.S.A. (\$2/00)

MACHINES — SUPPLIES — GEARS — TAPE

STAMP FOR LIST

**VAN W2DLT**

302H PASSAIC AVE. STIRLING, N. J. 07980

## NEW 2M PREAMPLIFIER

12 vdc powered

27 db gain (approximately)

noise figure 2.5

will bring most receivers

to .1  $\mu$ v sensitivity

without appreciable noise.

Metal case. ONLY \$17.95 ppd.

## CRAWFORD ELECTRONICS

302 West Main, Genoa, IL 60135

# KW

**ELECTRONICS LIMITED**

A COMPLETE LINE OF WORLD FAMOUS BRITISH EQUIPMENT TRANSCEIVERS, SEPARATES, AND AUXILIARIES: 16MM-10M

**KW ELECTRONICS**

10 Peru St., Plattsburg, N.Y. 12901

# NOW in the USA

## WE PAY HIGHEST

PRICES FOR ELECTRON

TUBES AND SEMICONDUCTORS

## H & L ASSOCIATES

ELIZABETHPORT INDUSTRIAL PARK

ELIZABETH, NEW JERSEY 07206

(201) 351-4200



## FIRE & BURGLAR ALARMS

1971 Handbook & Catalog

Save Hundreds of Dollars

Professional equipment from famous manufacturers. Easy step by step illustrated instructions, no special tools required. Save up to 75%. This handbook is a must for every homeowner and businessman. Just \$1 cash, check or M.O.

Write W1JFT

## ALARM COMPONENT DISTRIBUTORS

33 NEW HAVEN AVE., DEPT. HR

MILFORD, CONN. 06460

# WE PAY CASH FOR TUBES

Lewispaul Electronics, Inc.

303 West Crescent Avenue

Allandale, New Jersey 07401

**BRAND NEW FREQ-SHIFT TTY MONITOR**

Navy OCT-3: FM Receiver type, freq. range 1 to 26 MHz in 4 bands, cont. tuning. Crystal calib. Reads up to 1500 Hz deviation on built-in VTM. Cost \$1100.00 each! In original box, with instruct. book & cord, fob Mariposa, California \$49.50

**REDUCED RADIO-RECEIVER PRICES!**

Start a Christmas Lay-Away of your wish . . . we will hold them. Every receiver aligned, grtd 199% perfect, and clean. SP-600-JX, double-conversion 540 kHz continuous to 54 MHz, plus crystal control, if you wish, for your 6 most-favorite stations. In cabinet, \$299.50. Less cabinet but with top & bottom covers, \$275.00. R390/URR, triple-conversion, 500 KHz to 32 MHz with precision digital tuning and crystal zero-beat and corrector each 100 KHz . . . only \$595.00. R390A/URR adds the sharper CW selectivity of mechanical filters, only \$795.00.

**BRAND-NEW SOLID-STATE SCOPE BARGAINS:**

We are now the Distributor for Leader Instr. Corp. QUALITY-CONTROLLED imports. Warranty is 2 years on parts, 6 mos on labor. We pay the shipping to your door at advertised prices! Here they are:

LBO-301: 3" Portable, triggered, with both vertical & horiz. accurately calibrated. DC-7 MHz pass.  $3\frac{1}{2}$  mv rms sensit. Swp 0.2 usec & up.  $5'' \times 8'' \times 12''$ , 14 lbs. 334.50  
 LBO-501: 5", triggered, both vert. & horiz. accurately calibrated. DC-10 MHz. 7 mv rms sensit. Swps 0.2 usec & up.  $11'' \times 8'' \times 17''$ , 20 lbs. 339.50  
 LBO-53B: 5" Vectroscope, DC-10 MHz. Hybrid solid-state & tubes. FET's eliminate display bounce from line transients. Clear Vector Pattern display.  $11'' \times 8'' \times 17''$ , 30 lbs. 229.00  
 10X Probes for above: LPB-10X, each 15.90

**20-LB NAVY PORTABLE 4 MHz SCOPE**

AN/USSM-32: 10 Hz to 4 MHz  $\pm 2$  db. Line 118v, 50-400 Hz. 3WP1 CR tube with rectangular mask & graticule. Sensit. 40 mv rms/cm & up, and includes calibrator. 350 nsec video delay line. Input 1 meg, 28 pf. Sweep triggered by signal  $\frac{3}{4}$  usec/cm & up. 5 choices Z-axis Markers for exact calib. With schem. dwg & op. instruct. Good used 129.50

(OHC at cost if desired, grtd not over \$50.)

**TEKTRONIX & HEWLETT-PACKARD SCOPE BARGAINS:**

Ask for our Catalog Category #24!

We have Digital Counters, Aeronautical Test Sets, Audio Test Sets, Oscillators, VIVM's, Precision Meters, Pulse Generators, Signal Generators, Differential Voltmeters, Regulated Power Supplies, Wattmeters, etc. with separate Catalogs for each Category . . . so please ask for your needs by the type of equipment you need! THANKS!

WE ALSO BUY! WHAT DO YOU HAVE?

**R. E. GOODHEART CO. INC.**

Box 1220-HR, Beverly Hills, Calif. 90213

Phone: Area Code 213, Office 272-5707

**A NEW TRANSMATCH - MODEL UT-1**

A New Universal Transmatch from the ANTEC COMPANY

- 80 thru 10, including all MARK freqs. above 3.5 kHz.
- 2kw, PEP, SWR 1:1, any frequency
- provides 50-70 OHM resistive load
- use with all antenna-feedline combinations.
- will match dipoles, quads, beams, zeps, random wires, verticals, etc.
- fully guaranteed, made in U.S.A.

Write for details to: ANTEC COMPANY \$94.95 (ppd. continental U.S.A.)

67 Briarcliffe Road, Buffalo, New York 14225 Tel: (716) 837-7408

**ANNOUNCING A NEW DIGITAL KEYS**

Featuring squeeze keying, dot-dash memories, transistor and relay output, variable pitch keying monitor with built in spkr, regulated power supply, 8 I.C., 5 transistors, 5 diodes, handsome cabinet and a warranty that is unequalled. Logic board and power supply monitor board can be purchased separately. Send for brochure.

**BAKER & WINNAY**

420 Maplewood Ave., Springfield, Pa. 19064

**NEW SSB MINIATURE CRYSTAL FILTERS — Made U.S.A.**

Write us about your crystal filter needs



**WHEATLANDS ELECTRONICS**  
P. O. Box 343  
ARKANSAS CITY  
KANSAS 67005

	No. Crystals	4	8
Center Freq.		9.0 MHz	9.0 MHz
Band Width at 6db		2.5 kHz	2.5 kHz
60db/6db Shape		2.0 (4516)	1.8 max
Ultimate Rejection		45 db	100 db min.
In/Out Termination		270 $\Omega$	320 $\Omega$
PRICE		\$18.95	\$26.95

Matching Crystals USB (8998.5 kHz) or LSB (9001.5 kHz) \$2.75 each

**THE RADIO CONSTRUCTOR**

Vol. 22 No. 11

JUNE 1969

THREE SHILLINGS

**Top Band "Quartet" Transmitter**

**Special**  
IN THIS ISSUE

Manufacturer's Semi-Operated Switch  
Partial Continuity Leakage Tester

**A New Magazine?**

Not really. New in the U.S.A. perhaps, but very well known in Great Britain and now being offered to you here.

**RADIO CONSTRUCTOR** is almost exclusively construction material. Clearly written, concise articles give you full details on:

- Audio Construction Projects
- Receiver Construction Projects
- Transmitter Construction Projects
- Test Equipment Projects
- Radio Control Projects
- . . . and much more

Try a subscription to this interesting magazine, we are sure that you will not be disappointed.

**ONE YEAR SUBSCRIPTION — \$6.50**

Write

**RADIO CONSTRUCTOR**  
Greenville, N. H. 03048

Name .....

Address .....

City ..... State .....

Zip .....

DO YOU NEED CASH?? THEN WRITE ME  
GIVING LIST OF GOOD AMATEUR GEAR  
YOU WANT TO SELL: WE NEED GOOD  
NOVICE XMTRS., RECVRS., OR WHAT  
HAVE YOU: WANTED COLLINS EQUIP.  
KWM-2, "S LINE" LINEARS, ETC.

**USED, GUARANTEED EQUIPMENT  
FOR SALE OR TRADE**

**COLLINS:**

75A2 — VRY GUD COND. .....\$199.00  
75A4 — VRY GUD COND. ....\$345.00  
75A4 — (New PTO) EX. COND. ....\$425.00

**JOHNSON:**

INVADER 200, Mint. ....\$225.00

**SWAN:**

240 & TCU, Mint. ....\$325.00

**HICKOK:**

Model 505A Scope, Exc. ....\$ 95.00

We have more gear than we can list here,  
write for up-to-date list and prices. New  
equip.: Galaxy, Swan, Drake, Regency, HR-2,  
Mosley, Hy-Gain, New-Tronics, Cush-Craft.  
We are also dist. for CB radios, new and  
used. Let us know your needs in amateur  
and CB equipment.

**BOB'S DISCOUNT ELECTRONICS**

720 N Hudson, Oklahoma City, Okla. 73102

(405) 232-1384

**SEE YOUR  
DEALER FOR**



**EQUIPMENT**

NEW CATALOG AVAILABLE, WRITE:

**AEROTRON, INC.**

P.O. BOX 6527, RALEIGH, N.C. 27608

**CALLING  
ALL  
HAMS!**

GET READY FOR THE

**SAROC 7<sup>TH</sup> NATIONAL  
CONVENTION**

JANUARY 6 TO 9 • 1972

FLAMINGO CONVENTION CENTER  
LAS VEGAS, NEVADA

SAROC, Flamingo Hotel Room  
rate \$12.00 plus tax, single or  
double occupancy. Mail to Fla-  
mingo Hotel, Las Vegas.

SAROC, advance registration \$14.50  
per person, regular registration at the  
door, Flamingo Hotel Late Show, Sunday  
Breakfast, Cocktail Parties, Seminars  
and Meetings. Mail to SAROC.

**ROTARY INDUCTORS**

15 turns, in 3/4", bus bar, heavy silver plate,  
1/8" thick 3/8" wide, no coil form. Single wiper  
on inside of coil. Micalax bars, at each corner.  
Coil 4 3/4" dia., overall dimensions — 4 3/4" sq.  
8 1/4" long + 3 3/4" for dual 3/8" shaft. 16 lbs.  
Brand New. .... each \$17.50

30 turns #18, 3" long, on coil form 2" dia.  
Two wipers, on outside, adjustable, but con-  
stant spacing in use. One easily removed. 3 1/4"  
wide, 3" high, 4 1/4" long + 3/8" for dual 1/2"  
shafts. 2 lbs. Brand New. 4/\$2.00 each \$5.50

**AIR INDUCTOR**

72 turns, #18, 5 1/8" long, 2" dia. no coil form.  
Plastic support inside, 1/8" thick, 1 3/4" wide,  
5 7/8" long. Solder terminals. 1 lb. Brand New.  
4/\$9.50, each \$2.50

**VARIABLE CAPACITORS**

8 to 125 pf. 2 KV. 31 plates. 1 3/4" sq. 3 1/2"  
long + 1 1/8" for dual 1/4" shafts. Ceramic end  
plates, 1 3/4" sq. 1 lb. Brand New.  
4/\$9.25, each \$2.00

12 to 305 pf. 1 KV. 43 plates. Hammarlund.  
1 3/4" wide, 1 3/8" high, 2 3/4" long + 7/8" for  
single 1/4" shaft. 1 lb. .... 4/\$6.50, each \$1.75

2.8 to 20 pf. 600v. sub-miniature APC. 3/16"  
shaft. Like EFJ 160 series. New.  
4/\$2.50, each 69¢

EFJ #152-804, 37 to 305 pf./sec. 7 KV. dual,  
split stator. 5 3/4" wide, 5 1/2" high, 16 3/4" long  
+ 2" for dual 1/4" shafts. H as 40; rt. angle  
drive on 1 shaft. New. .... 4/\$31.00, each \$8.50

20 to 53 and 28 to 95 pf. 9 KV. dual split  
stator. Easily disassembled, reassembled as  
dual 25 to 75 pf./sec.; single 150 pf. etc. 4 1/2"  
sq., 10 1/2" long + 1" for single 1/4" shaft. New.  
9 lbs. .... 4/\$25.00, each \$6.50

5 gang, 402 pf./sec. 600v. total 2010 pf. Ideal  
for output side pi-net; will load to 160 meter,  
at 1 KW, less inductance. Has 3/8" shaft, 1/2"  
long. Take-outs, excel. 3 lbs. 4/\$11.25, ea. \$3.00

**50 CFM NOISELESS FANS**

More of a sell-out a few months back. Motor  
specs-Howard Ind. 115v 60 cycle; 12w; 4 shaded  
pole, PM, Brushless; 2 5/8" x 2 3/8" x 1 5/8" +  
1" for 4 nylon blades, 4" dia. New.  
4/\$8.50, ea. \$2.25

**MEGGER**

WINSLOW #56-1000. 1000 meg-ohms, 500v.  
With crank, probes, tech manuals, in gray steel  
case (case slightly discolored). Brand New. \$50

**COLLINS MECHANICAL FILTER**

#F500 Y 500 A6519. Latest type, small. 1/2"  
dia., 2 1/4" long. 4 wire leads. 1/2" lb. New.  
4/\$18.50, each \$5.00

**BC ELECTRONICS — BEN COHN**

MAILING ADDRESS: c/o

1249 W. Rosedale Ave., Chicago, Illinois 60626

Store address: 5696 N. Ridge Ave., Chicago, Ill.

60626. Hours: Wed. 11 a.m. to 2:30 p.m.; Sat.

10:00 a.m. to 2:30 p.m. Other times by appoint-

ment. 312-334-4463 & 784-4426



*Flamingo*  
HILTON  
LAS VEGAS, NEVADA

# Advertisers check-off

... for literature, in a hurry — we'll rush your name to the companies whose names you "check-off"

## INDEX

- |                          |                      |
|--------------------------|----------------------|
| —Aerotron                | —LA                  |
| —Alarm                   | —Lewispaal           |
| —Amateur Electronic      | —Lynch               |
| —Amrad                   | —Micro-Z             |
| —Antec                   | —Morse               |
| —Arizona                 | —Mosley              |
| —Arrow                   | —Newtronics          |
| —BC                      | —Palomar             |
| —Baker & Winnay          | —Pennwood            |
| —Barry                   | —Pickering           |
| —Bob-Frank               | —R P                 |
| —Bob's                   | —Callbook            |
| —Circuit Specialists     | —Radio Constructor   |
| —Cir-Kit                 | —Robot               |
| —Comcraft                | —Robyn               |
| —Comdel                  | —SCF                 |
| —Crawford                | —SAROC               |
| —Drake                   | —Savoy               |
| —DyComm                  | —Sentry              |
| —E-S                     | —Shakespeare         |
| —Ehrrhorn                | —Spectrum            |
| —Eimac                   | —Standard            |
| —Electronic Distributors | —Structural Glass    |
| —Erikson                 | —Surplus             |
| —Goodheart               | —Technical Equipment |
| —Gray                    | —Ten-Tec             |
| —H & L                   | —Tri-Rio             |
| —HAL                     | —Van                 |
| —Heath                   | —Vanguard            |
| —Henry                   | —WCI                 |
| —International Crystal   | —Weinschenker        |
| —Jan                     | —Wheatlands          |
| —KW                      | —World QSL           |

September 1971

Please use before October 31, 1971

Tear off and mail to  
**HAM RADIO MAGAZINE — "check-off"**  
 Greenville, N. H. 03048

NAME.....

CALL.....

STREET.....

CITY.....

STATE..... ZIP.....

# Advertisers iNdex

Aerotron, Inc.	80, 93
Alarm Component Distributors	91
Amateur Electronic Supply	68, 69
Amrad Supply	86
Antec Co.	92
Arizona Semiconductor	91
Arrow Sales	90
BC Electronics	93
Baker & Winnay	90, 92
Barry Electronics	71
Bob-Frank Electronics	90
Bob's Discount Electronics	93
Circuit Specialists Co.	70
Cir-Kit	88
Comcraft Company	47
Comdel, Inc.	78
Crawford Electronics	91
Drake Co., R. L.	5
Dynamic Communications, Inc.	48, 49, 84
E-S Electronic Labs	88
Ehrrhorn Technological Operations, Inc.	Cover II, 72, 73
Eimac Division of Varian	Cover IV
Electronic Distributors, Inc.	89
Erikson Communications	67
G & G Radio Electronics Co.	81
Goodheart Co., Inc., R. E.	92
Gray Electronics	89
H & L Associates	91
HAL Devices	79
Heath Co.	53
Henry Radio	2, Cover III
International Crystal Manufacturing Co.	75
Jan Crystals	87
KW Electronics, Ltd.	91
LA Electronix Sales	76, 95
Lewispaal Electronics, Inc.	91
Lynch Co., J.	87
Morse Telegraphers	91
Mosley Electronics	80
Newtronics Corp.	19
Palomar Engineers	88, 89
Pennwood Numechron Co.	85
Pickering Radio Co., Inc.	80
RP Electronics	67
Radio Amateur Callbook, Inc.	70, 76, 88
Radio Constructor	92
Robot Research, Inc.	96
Robyn International	65
SCF Corp.	70
SAROC	93
Savoy Electronics, Inc.	77
Sentry Manufacturing Co.	1
Spectrum International	76, 82
Standard Communications Corp.	61
Structural Glass Ltd.	78
Surplus Electronics Co.	91
Ten-Tec, Inc.	74
Tri-Rio Electronics	85
Van	91
Vanguard Labs	78
WCI	90
Weinschenker, M.	33
Wheatlands	92
World QSL	90



# BONUS THE BEST ANTENNA PACKAGES YET!

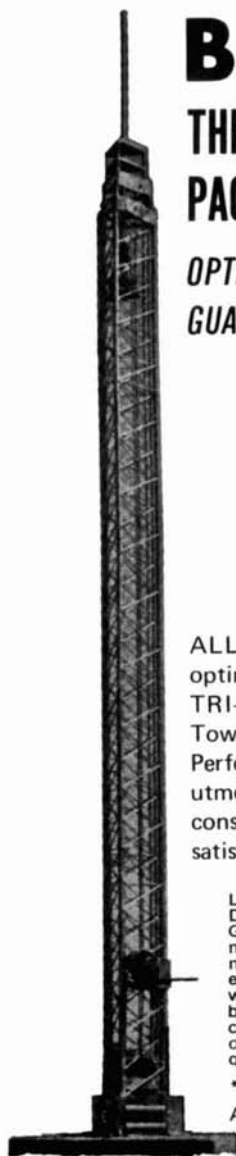
**OPTIMUM PERFORMANCE  
GUARANTEED SAVINGS**



ALL NEW, engineered for optimum performance with TRI-EX's Certified\* Antenna Towers & HY-GAIN's TOP Performance Antennas. The utmost in craftsmanship and construction for your satisfaction. . . .

Local Bank Financing - 15% Down or Trade-In Down - Good Reconditioned Equipment. Nearly all makes and models. Our reconditioned equipment carries a 30 day warranty and may be traded back within 90 days for full credit toward the purchase of NEW equipment. Inquiries invited.

\* Certified Welders & Approved by L.A. City



W51 SHOWN

**LAE MW35 "STANDARD" Package**  
(Free Standing Crank-Up Tower  
9.5 Sq. Ft. - 50 MPH)  
CDR AR-22R Rotator\*  
100 ft. RG-58A/U Coax  
100 ft. 4 Cond. rotor cable

*Complete with one of the following antennas:*

HY-GAIN TH2MK3	\$259
HY-GAIN TH3JR	\$259
HY-GAIN DB10-15A	\$265
HY-GAIN HY QUAD	\$280
HY-GAIN TH3MK3	\$290
*TR-44 rotor w/cable add:	\$ 30
HAM-M rotor w/cable add:	\$ 60

**LAE W51 "DELUXE" Antenna Package**  
(Free Standing, 9 Sq. Ft. - 50 MPH)

CDR TR-44 rotor\*  
100 ft. RG58A/U coax cable  
100 ft. control cable

*Complete with one of the following antennas:*

HY-GAIN DB10-15A	\$575
HY-GAIN HY QUAD	\$590
HY-GAIN 204BA	\$610
HY-GAIN TH3MK3	\$610
HY-GAIN TH6DXX	\$635

Free stdg. base incld. NO/CHARGE

\*HAM-M rotor w/RG8/U add: \$ 40

**LAE LM354 "SUPER" Antenna Package**  
(16 Sq. Ft. - 60 MPH)

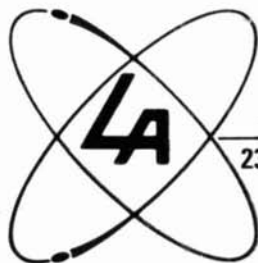
CDR HAM-M Rotor  
100 ft. RG8/U coax cable  
100 ft. control cable

*Complete with one of the following antennas:*

HY-GAIN TH3MK3	\$735
HY-GAIN 204BA	\$740
HY-GAIN TH6DXX	\$765

Freight PREPAID to your door in the Continental USA west of the Rockies. For shipment east of the Rockies, add \$10.00. Substitutions may be made.... write for prices.

**"WEST COAST'S FASTEST GROWING AMATEUR RADIO DISTRIBUTOR"  
"WE SELL ONLY THE BEST"**



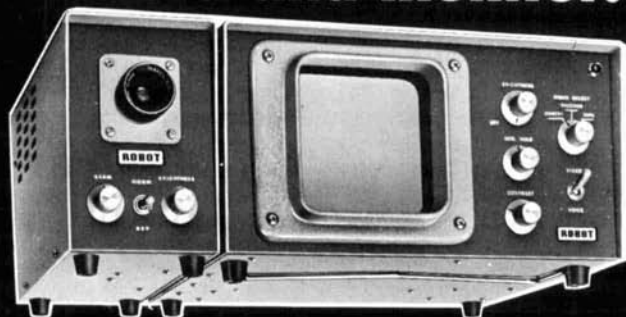
## Electronix Sales

23044 S. CRENSHAW BLVD., TORRANCE, CALIF. 90505

Phone: (213) 534-4456 or (213) 534-4402

HOME of LA AMATEUR RADIO SALES

# Here are a few SSTV stations you can work with your new Robot SSTV camera and monitor.



7DPW	W6CTH	K4HPR	W9JLJ	W3LY	W2LC
ODI	W1JKF	W6ZC	K3SLJ	WAØSMG	K6STI
2BLC	W8PEY	WØDO	UW6LC	W1PBT	W1VRN
NN	W2DD	W4LAS	VE6RM	K4UMD	ZS6NM
AKU	K4RSH	W5TXX	K4TWJ	WA2MID	K1EYN
V	SZØCG	YN3RBD	K4PRT	G3ZGO	W9DG
V	W7ABW	W8SH	W8SM	WB2LFV	WA9JD
Y	W5NOO	KH6BAS	VE3HC	WA0VZF	WB6O
W4JOS	ZL1AOY	HK7XI	HK7XI	ZLIDW	W4AP
WA7LQO	KL7FHN	W1VKF	W1VKF	WA7MPI	W8KF
WA6RNG	W1SIP	EA4DT	EA4DT	WB6SMG	WA3
W4TB	W4UMF	W3LXY	W3LXY	W7SEN	W67
9CJS	W1VRK	VE3BWA	VE3BWA	W3KAU	W9
BFG	WA7MOV	KL7DRZ	KL7DRZ	KP4GN	G5
BUA	PA0LAM	W4MS	W4MS	W8YEK	K2
M	WB6QWC	FG7XT	FG7XT	KH6DEH	W



**ROBOT RESEARCH, INC.**  
 7591 Convoy Court  
 San Diego, California 92111  
 Phone 714-279-9430

Write for our free brochure on SSTV and the Robot camera and monitor.

ROBOT MODEL 70 MONITOR... \$495  
 ROBOT MODEL 80 CAMERA... \$465

25mm, f1.9 lens... \$30

a new name  
a new value

...the great new team by **TEMPO**

The TEMPO "ONE" SSB transceiver represents the culminating achievement of many years of experience in the amateur radio field. Modern design, superb performance, high styling, sturdy construction, outstanding reliability, exceptional value . . . all these factors combined for the first time in an amateur SSB transceiver make the TEMPO "ONE" the obvious choice in today's amateur market. Power input: 300 watts PEP SSB, 240 watts CW. Five band coverage: 80 through 10 meters. VFO range: 500 khz. Complete with: Selectable Sideband, Crystal Calibrator, VOX, Receiver Off-set Tuning. Price: \$298.00. AC/ONE power supply 117/230 volt 50/60 cycle . . . \$99.00 DC/ONE power supply 12 volts DC . . . \$107.00

The TEMPO "2000" is the smallest self-contained, full legal-limit kilowatt amplifier in its price range. It has an entirely self-contained, solid-state power supply that makes it fully operational within three seconds from turn-on. The "2000" provides full kilowatt input on all modes, band-switched 80 through 10 meters, and grounded-grid input for maximum compatibility with modern transceivers and transmitters. Look at the price . . . look at the features . . . you can't do better for only \$395.00.



TEMPO "ONE" SSB TRANSCEIVER



TEMPO "2000" LINEAR AMPLIFIER

Henry Radio has a great antenna package program . . . big savings. Write for literature.

EASY FINANCING • 10% DOWN OR TRADE-IN DOWN • NO FINANCE CHARGE IF PAID IN 90 DAYS • GOOD RECONDITIONED EQUIPMENT • Nearly all makes and models. Our reconditioned equipment carries a 15 day trial, 90 day warranty and may be traded back within 90 days for full credit toward the purchase of NEW equipment. Write for bulletin. Export inquiries invited.

TED HENRY (W6UOU)

BOB HENRY (W0ARA)

WALT HENRY (W6ZN)

**Henry Radio**

"World's Largest Distributor of Amateur Radio Equipment"

11240 W. Olympic Blvd., Los Angeles, Calif. 90064 213/477-6701  
931 N. Euclid, Anaheim, Calif. 92801 714/772-9200  
Butler, Missouri 64730 816/679-3127

# NEW! Improved rugged 8122W's, 8121W's, 8072W's, and 8828W's, from EIMAC

EIMAC's new 8122W family of premium, second generation tubes are directly interchangeable with earlier equivalents in most FM, linear or modulated equipments.

These rugged, long life power tetrodes combine high screen dissipation and excellent thermal stability in a heavy duty structure which gives you improved performance in demanding communication circuits.

EIMAC's new design features rigid precision-wound gold plated molybdenum wire grids. The result is a direct-replacement tube with higher screen overload capability and greater resistance to shock and vibration. The EIMAC 8122W family is ideal for applications where you

have experienced problems under environmental or electrical stress.

EIMAC's unique 8122W electron-gun structure is available in four anode configurations: Axial air flow cooling (8122W), Transverse air flow cooling (8121W), coolerless (8072W) and conduction cooled (8828W). Special heat sink coolers are also available upon request.

EIMAC's Application Engineering Section stands ready to assist you in designing these exceptional tubes in new equipments. Contact EIMAC Division of Varian, 301 Industrial Way, San Carlos, California 94070, or your nearest Varian/EIMAC Electron Tube and Device Group Sales Office.



**Eimac**  
division  
varian